

Hoses and connectors

Accessories for screw unions



Accessories for unions

Our highlights...

- Wide range of accessories
- All accessories made of brass with nickel-plated surfaces

Your advantages...

- > All accessories from a single source
- > Long lifetime, reusable, mechanically strong and with a good-looking finish

Applications

- Accessories for screw-in unions are used wherever it is necessary to seal threaded holes, to convert to a smaller or larger thread or to extend the unions



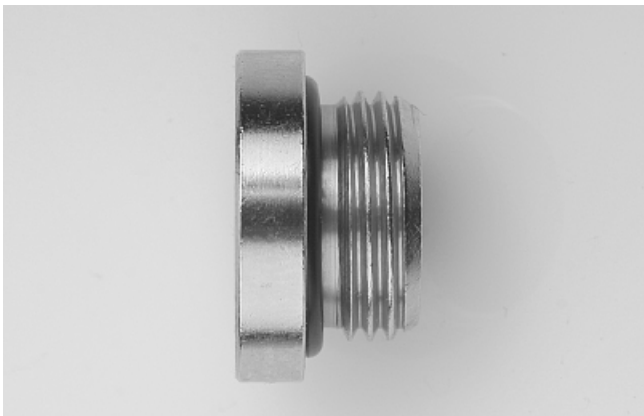
Construction

- Accessories made of robust brass with nickel-plated surfaces

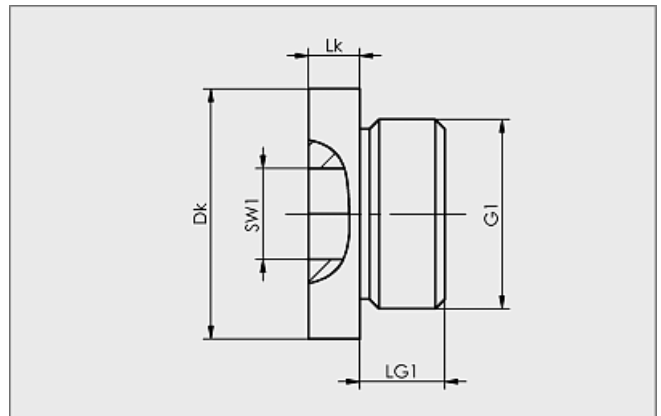
Suitability for branch-specific applications



Design data Sealing screws with collar VRS-SB



Sealing screw with collar VRS-SB



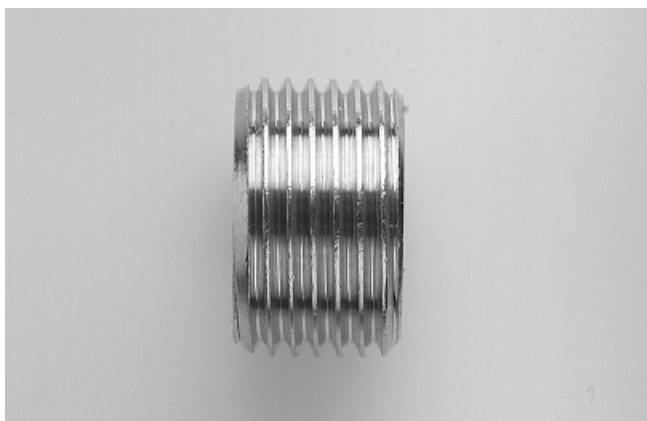
Sealing screw with collar VRS-SB

Type	Dimensions in mm				
	Dk	G1	LG1	Lk	SW1
VRS-SB M5-AG SKT	-	M5-M	4,5	3,0	8
VRS-SB G1/8-AG ISKT O-Ring	14	G1/8"-M	5,5	3,5	5
VRS-SB G1/4-AG ISKT O-Ring	18	G1/4"-M	7,5	4,5	6
VRS-SB G3/8-AG ISKT O-Ring	22	G3/8"-M	7,5	4,5	8
VRS-SB G1/2-AG ISKT O-Ring	25	G1/2"-M	9,5	4,5	10

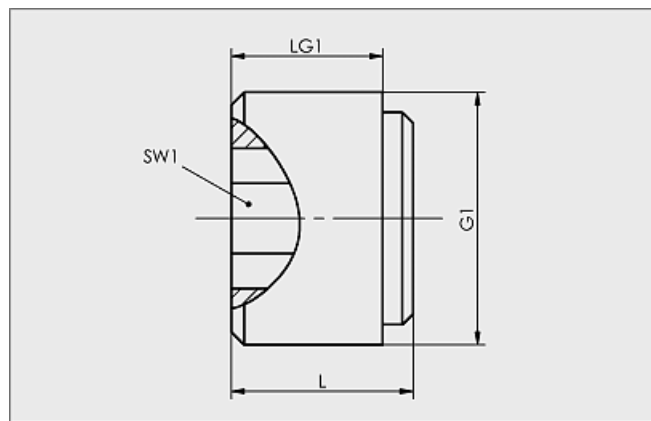
Ordering data Sealing screws with collar VRS-SB

Type	Article No.
VRS-SB M5-AG SKT	10.08.06.00042
VRS-SB G1/8-AG ISKT O-Ring	10.08.06.00043
VRS-SB G1/4-AG ISKT O-Ring	10.08.06.00044
VRS-SB G3/8-AG ISKT O-Ring	10.08.06.00045
VRS-SB G1/2-AG ISKT O-Ring	10.08.06.00046

Design data Sealing screws without collar VRS-S



Sealing screw without collar VRS-S



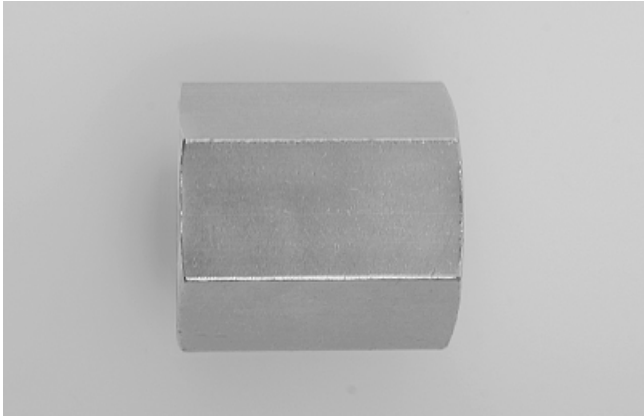
Sealing screw without collar VRS-S

Type	Dimensions in mm			
	G1	L	LG1	SW1
VRS-S G1/8-AG	G1/8"-M	9	8	5
VRS-S G1/4-AG	G1/4"-M	11	8	7
VRS-S G3/8-AG	G3/8"-M	13	10	8
VRS-S G1/2-AG	G1/2"-M	10	10	10
VRS-S G3/4-AG	G3/4"-M	12	10	12

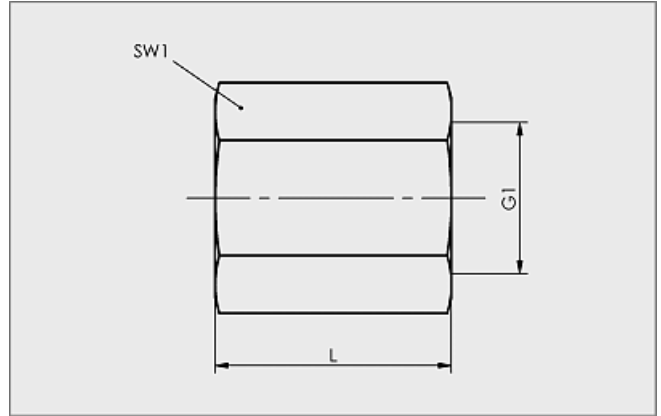
Ordering data Sealing screws without collar VRS-S

Type	Article No.
VRS-S G1/8-AG	10.08.06.00047
VRS-S G1/4-AG	10.08.06.00048
VRS-S G3/8-AG	10.08.06.00049
VRS-S G1/2-AG	10.08.06.00050
VRS-S G3/4-AG	10.08.06.00051

Design data Bushings MUF-S



Sleeve with hexagon MUF-S



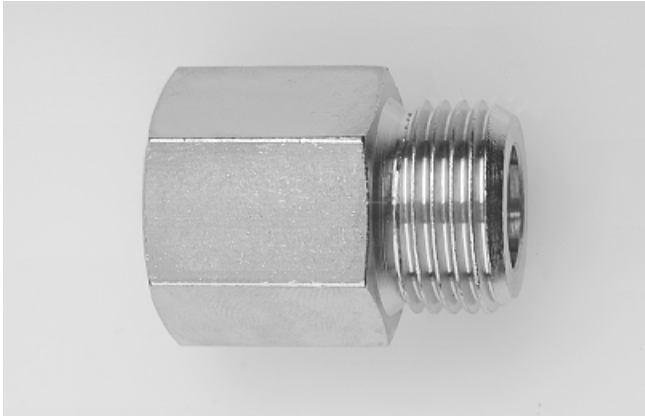
Sleeve with hexagon MUF-S

Type	Dimensions in mm		
	G1	L	SW1
MUF-S M5-IG 9 SW8 MV	M5-F	9	8
MUF-S G1/8-IG 18 SW14 MV	G1/8"-F	18	14
MUF-S G1/4-IG 26 SW17 MV	G1/4"-F	26	17
MUF-S G3/8-IG 26 SW22 MV	G3/8"-F	26	22
MUF-S G1/2-IG 30 SW27 MV	G1/2"-F	30	27
MUF-S G3/4-IG 34 SW32 MV	G3/4"-F	34	32
MUF-S G1-IG 38 SW41 MV	G1"-F	38	41

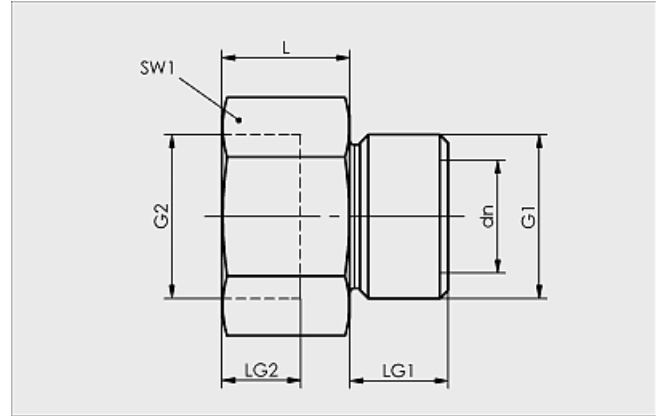
Ordering data Bushings MUF-S

Type	Article No.
MUF-S M5-IG 9 SW8 MV	10.08.05.00124
MUF-S G1/8-IG 18 SW14 MV	10.08.05.00125
MUF-S G1/4-IG 26 SW17 MV	10.08.05.00126
MUF-S G3/8-IG 26 SW22 MV	10.08.05.00127
MUF-S G1/2-IG 30 SW27 MV	10.08.05.00128
MUF-S G3/4-IG 34 SW32 MV	10.08.05.00129
MUF-S G1-IG 38 SW41 MV	10.08.05.00130

Design data Extension hexagon flats VRL-S



Extension with hexagon flats VRL-S



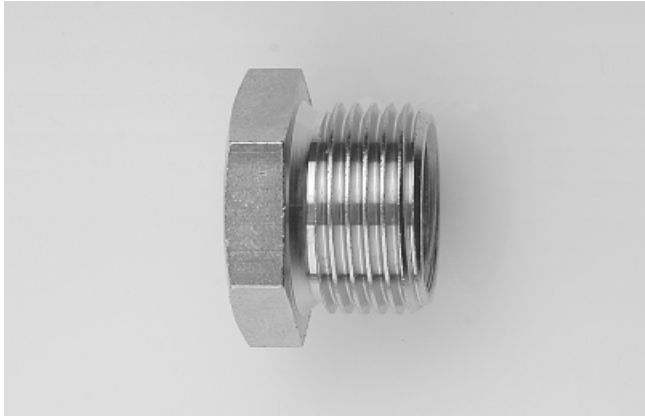
Extension with hexagon flats VRL-S

Type	Dimensions in mm						
	dn	G1	G2	L	LG1	LG2	SW1
VRL-S M5 8	4,0	M5-M	M5-F	8	4,5	4,0	8
VRL-S G1/8 15	8,5	G1/8"-M	G1/8"-F	15	8,0	8,0	14
VRL-S G1/4 18	11,4	G1/4"-M	G1/4"-F	18	10,0	10,0	17
VRL-S G1/2 22	12,0	G1/2"-M	G1/2"-F	22	12,0	12,5	24

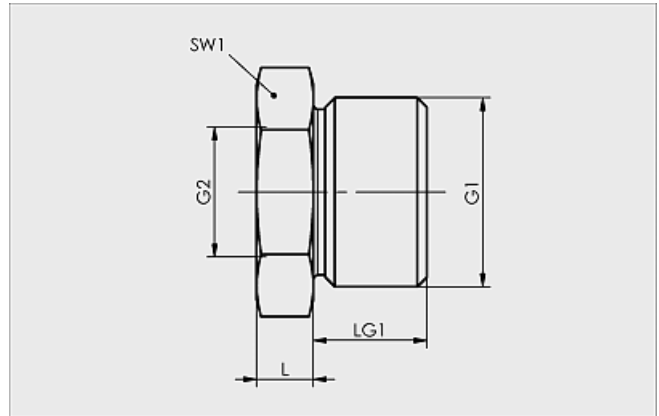
Ordering data Extension hexagon flats VRL-S

Type	Article No.
VRL-S M5 8	10.08.04.00088
VRL-S G1/8 15	10.08.04.00090
VRL-S G1/4 18	10.08.04.00092
VRL-S G1/2 22	10.08.04.00097

Design data Reduction piece RED-STK



Reduction piece with hexagon RED-STK



Reduction piece with hexagon RED-STK

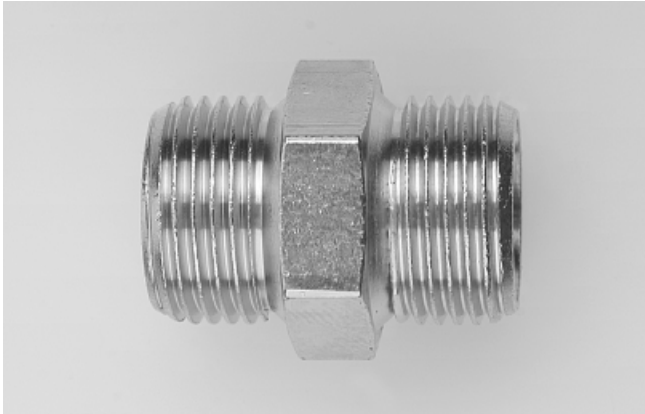
Type	Dimensions in mm				
	G1	G2	L	LG1	SW1
RED-STK G1/8-AG M5-IG	G1/8"-M	M5-F	3,5	6,5	14
RED-STK G1/4-AG G1/8-IG	G1/4"-M	G1/8"-F	4,0	10,0	17
RED-STK G3/8-AG G1/8-IG	G3/8"-M	G1/8"-F	5,0	10,0	19
RED-STK G3/8-AG G1/4-IG	G3/8"-M	G1/4"-F	5,0	10,0	19
RED-STK G1/2-AG G1/4-IG	G1/2"-M	G1/4"-F	6,0	12,0	24
RED-STK G1/2-AG G3/8-IG	G1/2"-M	G3/8"-F	6,0	12,0	24
RED-STK G3/4-AG G3/8-IG	G3/4"-M	G3/8"-F	7,0	14,0	32
RED-STK G3/4-AG G1/2-IG	G3/4"-M	G1/2"-F	7,0	14,0	32
RED-STK G1-AG G1/2-IG	G1"-M	G1/2"-F	8,0	16,0	41
RED-STK G1-AG G3/4-IG	G1"-M	G3/4"-F	8,0	16,0	41

Ordering data Reduction piece RED-STK

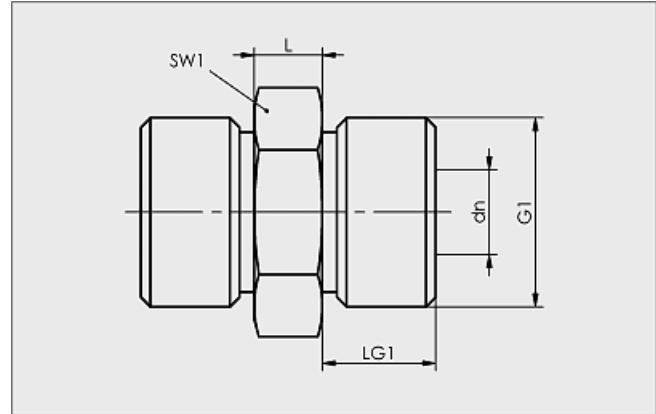
Type	Article No.
RED-STK G1/8-AG M5-IG	10.08.04.00089
RED-STK G1/4-AG G1/8-IG	10.08.04.00091
RED-STK G3/8-AG G1/8-IG	10.08.04.00093
RED-STK G3/8-AG G1/4-IG	10.08.04.00094
RED-STK G1/2-AG G1/4-IG	10.08.04.00095
RED-STK G1/2-AG G3/8-IG	10.08.04.00096
RED-STK G3/4-AG G3/8-IG	10.08.04.00098
RED-STK G3/4-AG G1/2-IG	10.08.04.00099
RED-STK G1-AG G1/2-IG	10.08.04.00100
RED-STK G1-AG G3/4-IG	10.08.04.00101



Design data Double fitting DOP-NIP



Double nipple with hexagon DOP-NIP



Double nipple with hexagon DOP-NIP

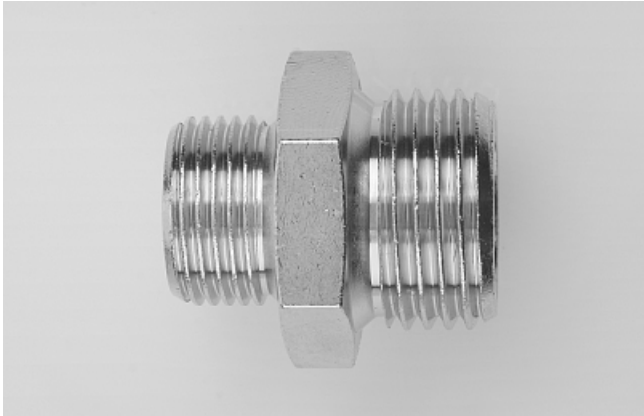
Type	Dimensions in mm				
	dn	G1	L	LG1	SW1
DOP-NIP-S M5-AGx4	2,5	M5-M	4	4,5	8
DOP-NIP-S G1/8-AGx5	4,5	G1/8"-M	5	6,5	14
DOP-NIP-S G1/4-AGx5	7,5	G1/4"-M	5	10,0	17
DOP-NIP-S G3/8-AGx6	10,0	G3/8"-M	6	10,0	19
DOP-NIP-S G1/2-AGx6	12,0	G1/2"-M	6	12,0	24
DOP-NIP-S G3/4-AGx8	15,0	G3/4"-M	8	14,0	32
DOP-NIP-S G1-AGx10	20,0	G1"-M	10	16,0	41



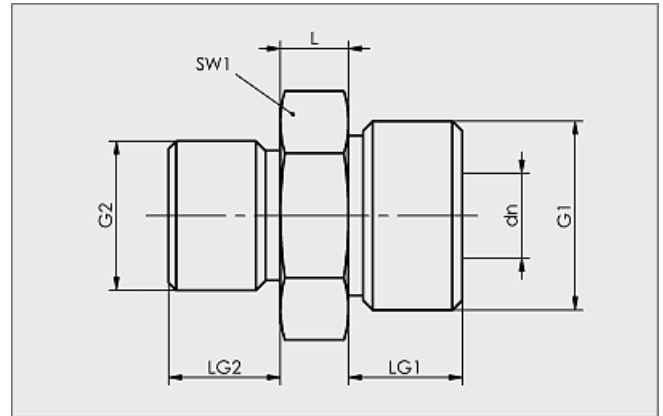
Ordering data Double fitting DOP-NIP

Type	Article No.
DOP-NIP-S M5-AGx4	10.08.05.00131
DOP-NIP-S G1/8-AGx5	10.08.05.00132
DOP-NIP-S G1/4-AGx5	10.08.05.00133
DOP-NIP-S G3/8-AGx6	10.08.05.00134
DOP-NIP-S G1/2-AGx6	10.08.05.00135
DOP-NIP-S G3/4-AGx8	10.08.05.00136
DOP-NIP-S G1-AGx10	10.08.05.00137

Design data Reduction nipple RED-NIP



Reduction nipple with hexagon RED-NIP



Reduction nipple with hexagon RED-NIP

Type	Dimensions in mm						
	dn	G1	G2	L	LG1	LG2	SW1
RED-NIP-S G1/8-AG M5-AG	2,5	G1/8"-M	M5-M	4	6,5	4,5	14
RED-NIP-S G1/4-AG G1/8-AG	4,5	G1/4"-M	G1/8"-M	5	10,0	6,5	17
RED-NIP-S G3/8-AG G1/4-AG	7,5	G3/8"-M	G1/4"-M	6	10,0	10,0	19
RED-NIP-S G1/2-AG G1/4-AG	7,5	G1/2"-M	G1/4"-M	5	12,0	10,0	24
RED-NIP-S G1/2-AG G3/8-AG	10,0	G1/2"-M	G3/8"-M	6	12,0	10,0	24
RED-NIP-S G3/4-AG G1/2-AG	12,0	G3/4"-M	G1/2"-M	8	14,0	12,0	32
RED-NIP-S G1-AG G1/2-AG	12,0	G1"-M	G1/2"-M	10	16,0	12,0	41
RED-NIP-S G1-AG G3/4-AG	17,0	G1"-M	G3/4"-M	10	16,0	14,0	41

Ordering data Reduction nipple RED-NIP

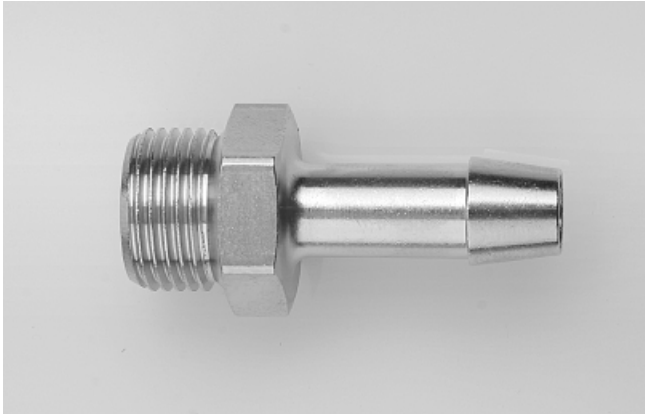
Type	Article No.
RED-NIP-S G1/8-AG M5-AG	10.08.05.00138
RED-NIP-S G1/4-AG G1/8-AG	10.08.05.00139
RED-NIP-S G3/8-AG G1/4-AG	10.08.05.00141
RED-NIP-S G1/2-AG G1/4-AG	10.08.05.00140
RED-NIP-S G1/2-AG G3/8-AG	10.08.05.00142
RED-NIP-S G3/4-AG G1/2-AG	10.08.05.00143
RED-NIP-S G1-AG G1/2-AG	10.08.05.00144
RED-NIP-S G1-AG G3/4-AG	10.08.05.00145

Hoses and connectors

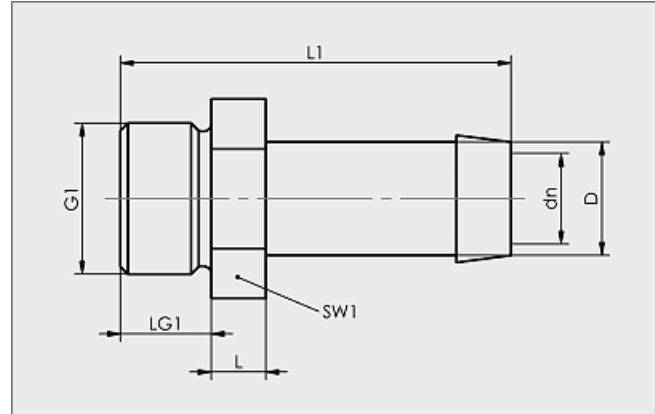
Accessories for screw unions



Design data Hose nozzle ST



Hose sleeve ST



Hose sleeve ST

Type	Dimensions in mm							Recom. internal hose diameter d [mm]
	D	dn	G1	L	L1	LG1	SW1	
ST M3-AG 2	2,3	1,5	M3-M	2,0	10,8	3,3	5	2
ST M5-AG 4	4,2	2,2	M5-M	3,5	18,0	4,5	8	4
ST G1/8-AG 4	4,2	3,5	G1/8"-M	5,0	34,0	8,0	14	4
ST G1/8-AG 6	6,5	4,5	G1/8"-M	5,0	34,0	8,0	14	6
ST G1/8-AG 9	9,5	4,5	G1/8"-M	5,0	34,0	8,0	14	9
ST G1/4-AG 6	6,5	4,5	G1/4"-M	5,0	42,0	10,0	17	6
ST G1/4-AG 9	9,5	7,5	G1/4"-M	5,0	42,0	10,0	17	9
ST G1/4-AG 12	12,5	7,5	G1/4"-M	5,0	42,0	10,0	17	12
ST G3/8-AG 9	9,5	7,5	G3/8"-M	6,0	43,0	10,0	19	9
ST G3/8-AG 12	12,5	10,0	G3/8"-M	6,0	43,0	10,0	19	12
ST G1/2-AG 9	9,5	7,5	G1/2"-M	6,0	45,0	12,0	24	9
ST G1/2-AG 12	12,5	11,0	G1/2"-M	6,0	45,0	12,0	24	12
ST G1/2-AG 19	20,0	16,0	G1/2"-M	6,0	45,0	12,0	24	19
ST G3/4-AG 12	12,5	10,5	G3/4"-M	8,0	60,0	16,0	32	12
ST G3/4-AG 19	20,0	16,0	G3/4"-M	8,0	60,0	16,0	32	19
ST G3/4-AG 25	26,0	20,0	G3/4"-M	8,0	60,0	16,0	32	25
ST G1-AG 25	26,0	22,0	G1"-M	5,0	51,0	11,0	38	25
ST G1-AG 32	33,0	25,0	G1"-M	4,0	57,0	18,0	38	32
ST G1-1/4-AG 32	32,0	28,0	G1-1/4"-M	10,0	62,0	16,0	46	32
ST G1-1/2-AG 38	38,0	30,0	G1-1/2"-M	13,0	64,0	15,5	50	38

Hoses and connectors

Accessories for screw unions



Ordering data Hose nozzle ST

Type	Article No.
ST M3-AG 2	10.08.03.00151
ST M5-AG 4	10.08.03.00152
ST G1/8-AG 4	10.08.03.00153
ST G1/8-AG 6	10.08.03.00154
ST G1/8-AG 9	10.08.03.00155
ST G1/4-AG 6	10.08.03.00156
ST G1/4-AG 9	10.08.03.00157
ST G1/4-AG 12	10.08.03.00158
ST G3/8-AG 9	10.08.03.00159
ST G3/8-AG 12	10.08.03.00160
ST G1/2-AG 9	10.08.03.00161
ST G1/2-AG 12	10.08.03.00162
ST G1/2-AG 19	10.08.03.00163
ST G3/4-AG 12	10.08.03.00164
ST G3/4-AG 19	10.08.03.00165
ST G3/4-AG 25	10.08.03.00166
ST G1-AG 25	10.08.03.00167
ST G1-AG 32	10.08.03.00168
ST G1-1/4-AG 32	10.08.03.00169
ST G1-1/2-AG 38	10.08.03.00170