

Warning devices



Warning device, acoustic-electronic WN-AE V



Warning device, acoustical, electronic WN-AE V

Our highlights...

- Loud, audible warning signal (100 dB)
- Integrated voltage monitor
- Switching point adjustable in the range -1 to 0 bar
- Electronic warning device

Your advantages...

- >Reliable warning, even in very noisy surroundings
- >Audible warning signal also sounds in the case of a power failure
- >Flexible use at various vacuum values
- >Reliable monitoring of vacuum-powered systems

Applications

- Monitoring of vacuum-powered systems
- System monitoring with warning if the vacuum drops or the electric power fails

Construction

- Electronic warning device with integrated electronic vacuum switch
- Electronics mounted in a robust, impact-resistant macrolon housing
- Power cable and hose for vacuum connection enter housing via a cable gland



Suitability for branch-specific applications

Designation code Warning device, acoustic-electronic WN-AE V

Short designation	Principle of operation	Voltage
Example: WN	AE	V AC
WN	AE...acoustic-electronic	V AC...AC voltage V DC...DC voltage

Ordering data Warning device, acoustic-electronic WN-AE V

Type	Article No.
WN-AE V AC	10.07.05.00012
WN-AE V DC	10.07.05.00016

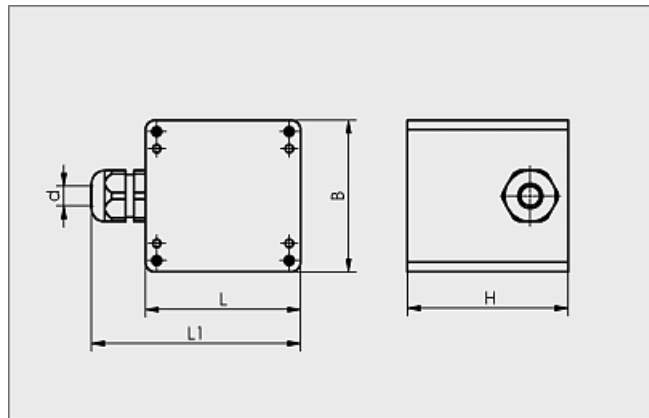
Warning devices

Warning device, acoustic-electronic WN-AE V



Technical data Warning device, acoustic-electronic WN-AE V

Type	WN-AE V AC	WN-AE V DC
Measured medium	Non-aggressive gases; dry, oil-free air	Non-aggressive gases; dry, oil-free air
Measuring range	-1...0 bar	-1...0 bar
Max. overpressure resistance [bar]	5	5
Repeatability	5 mbar	5 mbar
Hysteresis	Fixed: approx. 20 mbar	Fixed: approx. 20 mbar
On time [ms]	1	1
Voltage	200-280V - AC	24V - DC
Current consumption [mA]	100	100
Protection IP	IP 40/53 (assembled)	IP 40/53 (assembled)
Length of cable [m]	3	3
Length vacuum hose [m]	1	1
Temperature influence	1 mbar/°C	1 mbar/°C
Operating temperature [°C]	0...40 °C	0...40 °C
Weight [g]	430	430



WN-AE V

Design data WN-AE V

Type	Dimensions in mm				
	B	d	H	L	L1
WN-AE V AC	160	4	85	82	111
WN-AE V DC	160	4	85	82	111