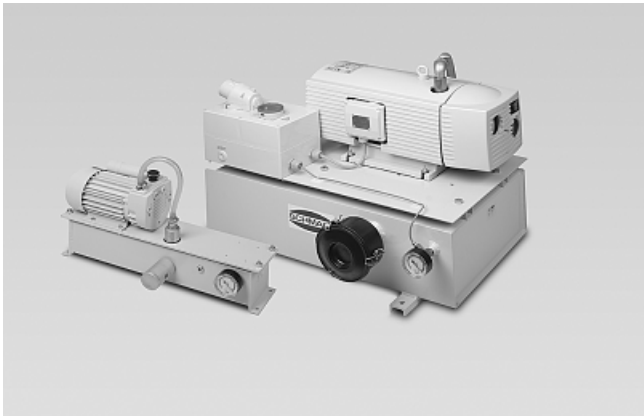


Vacuum pumps

Vacuum centre VZ



Vacuum centre VZ

Our highlights...

- Complete solution with pump, reservoir, manometer, filter and (optional) regulation
- Integrated dry-running or oil-lubricated vacuum pump
- Integrated vacuum reservoir
- Internal electrical regulation (automatic air-saving function, optional)

Your advantages...

- >The "stand-alone solution" for universal use in vacuum clamping and handling applications
- >Vibration-free operation; continuous output with little pulsation
- >Optimum protection against short-term leaks and power failures
- >Economical use in continuous operation due to automatic pump switching and automatic regulation

Applications

- For use wherever there is a demand for high performance, safety and reliability
- In the version with regulation, the pump generates the preset vacuum value in the reservoir
- When the maximum preset vacuum value is reached, the integrated vacuum switch turns off the pump until the vacuum drops to the preset minimum value, when the pump is automatically turned on again



Construction

- Vacuum center, consisting of vacuum pump, vacuum reservoir, safety non-return valve, filter and manometer
- Motor-protection switch and vacuum-regulated motor switch (adjustable) available as options

Suitability for branch-specific applications



Designation code Vacuum centre VZ

Short designation	Pump type	Suction capacity in m ³ /h	Supply voltage	Reservoir volume in l
Example: VZ	TR	40	AC3	50 l
VZ	TR...dry-running OG...oil-lubricated	8 to 165	AC...single phase AC3...three phase	5...5 l 15...15 l 50...50 l 100...100 l 200...200 l

Vacuum pumps

Vacuum centre VZ



Ordering data Vacuum centre VZ

Type	Vacuum centre without motor protection switch	with motor protection switch	with vacuum regulated motor circuit
VZ-TR 4 AC 5	10.03.04.00202	-	10.03.04.00203
VZ-TR 8 AC 5	10.03.04.00193	-	-
VZ-TR 10 AC3 15	10.03.04.00174	10.03.04.00175	10.03.04.00173
VZ-TR 25 AC3 50	10.03.04.00136	10.03.04.00142	10.03.04.00119
VZ-TR 40 AC3 50	10.03.04.00137	10.03.04.00143	10.03.04.00120
VZ-TR 80 AC3 100	10.03.04.00199	10.03.04.00200	10.03.04.00172
VZ-OG 63 AC3 100	10.03.04.00138	10.03.04.00144	10.03.04.00121
VZ-OG 100 AC3 100	10.03.04.00139	10.03.04.00145	10.03.04.00122
VZ-OG 165 AC3 200	10.03.04.00166	10.03.04.00167	10.03.04.00165

*Motorprotection with thermoelement as standard



Ordering data spare parts and accessories Vacuum centre VZ

Type	Replacement cartridge for air cleaner	Replacement cartridge for oil filter	Filter cartridge for vacuum reservoir
VZ-TR 4 AC 5	-	-	10.07.01.00014
VZ-TR 8 AC 5	-	-	10.07.01.00014
VZ-TR 10 AC3 15	10.03.01.00022	-	10.07.01.00017
VZ-TR 25 AC3 50	10.03.01.00023	-	10.07.01.00018
VZ-TR 40 AC3 50	10.03.01.00023	-	10.07.01.00018
VZ-TR 80 AC3 100	10.03.01.00032	-	10.07.01.00018
VZ-OG 63 AC3 100	10.03.02.00012	10.03.02.00009	10.07.01.00018
VZ-OG 100 AC3 100	10.03.02.00012	10.03.02.00009	10.07.01.00018
VZ-OG 165 AC3 200	10.03.02.00057	10.03.02.00011	10.07.01.00020



Technical data Vacuum centre VZ

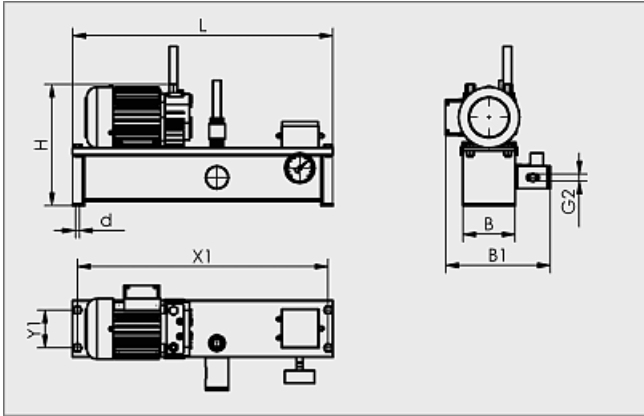
Type	Max. vacuum [mbar]	Voltage	Motor power [kW]	Volume [l]	Protection IP	Weight [kg]
VZ-TR 4 AC 5	-850	230 V, 50 Hz	0,18	5	IP 54	17
VZ-TR 8 AC 5	-850	230 V, 50 Hz	0,30	5	IP 54	17
VZ-TR 10 AC3 15	-850	230/400 V, 50 Hz	0,37	15	IP 54	37
VZ-TR 25 AC3 50	-850	230/400 V, 50 Hz	0,75	50	IP 54	69
VZ-TR 40 AC3 50	-850	230/400 V, 50 Hz	1,25	50	IP 54	82
VZ-TR 80 AC3 100	-850	230/400 V, 50 Hz	3,00	100	IP 54	129
VZ-OG 63 AC3 100	-980	230/400 V, 50 Hz	1,50	100	IP 54	112
VZ-OG 100 AC3 100	-980	230/400 V, 50 Hz	2,20	100	IP 54	130
VZ-OG 165 AC3 200	-980	230/400 V, 50 Hz	4,00	200	IP 54	271

Vacuum pumps

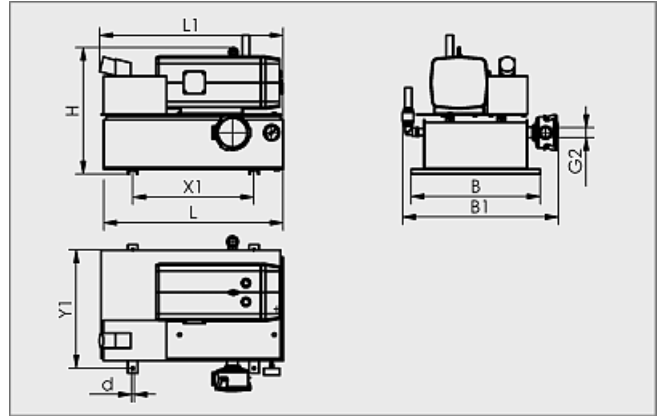
Vacuum centre VZ



Design data Vacuum centre VZ



VZ-TR 8 AC 5



VZ-TR 10 AC3 15 to VZ-OG 165 AC3 200

Type	Dimensions in mm								
	B	B1	d	G2	H	L	L1	X1	Y1
VZ-TR 4 AC 5	110	225	9	G3/8-F	275	550	-	530	80
VZ-TR 8 AC 5	110	224	9	G3/8-F	263	550	-	530	80
VZ-TR 10 AC3 15	400	490	11	G3/4-F	440	430	430	280	360
VZ-TR 25 AC3 50	510	630	11	G1-1/4-F	580	710	730	480	470
VZ-TR 40 AC3 50	510	630	11	G1-1/4-F	580	710	770	480	470
VZ-TR 80 AC3 100	610	720	11	G1-1/4-F	690	710	715	480	570
VZ-OG 63 AC3 100	610	750	11	G1-1/4-F	700	710	720	480	570
VZ-OG 100 AC3 100	610	750	11	G1-1/4-F	700	710	750	480	570
VZ-OG 165 AC3 200	710	1040	11	G2-1/2-F	950	910	1040	592	670