

Vacuum distributors

Vacuum/compressed-air distributor VTR



Distributor VTR

Our highlights...

- Large cross-sections and matched inlets and outlets
- Two different sizes available
- Sizes matched to other accessories

Your advantages...

- > Reduces and optimizes the flow resistance
- > Permits optimisation for fast evacuation times and low flow resistance
- > The ideal solution for a complete installation

Applications

- Distribution of vacuum in systems with a central vacuum generator and several suction pads
- Distribution of compressed air in systems with several distributed vacuum generators

Construction

- Distributor made of high-strength aluminium with mounting holes
- All threads with special seals for optimum sealing



Suitability for branch-specific applications



Ordering data Vacuum/compressed-air distributor VTR

Type	Article No.
VTR G1/4-IG 5xG1/8	10.09.03.00058
VTR G3/8-IG 5xG1/4	10.09.03.00060
VTR G1/4-IG 9xG1/8	10.09.03.00056
VTR G3/8-IG 9xG1/4	10.09.03.00054



Technical data Vacuum/compressed-air distributor VTR

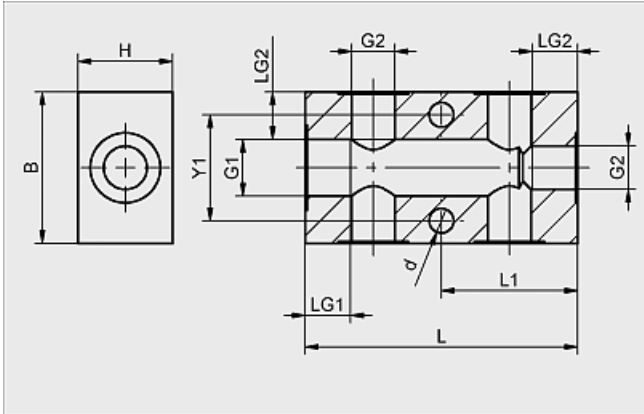
Type	Distributor type	Weight [g]
VTR G1/4-IG 5xG1/8	5 x thread G1/8"-F	90
VTR G3/8-IG 5xG1/4	5 x thread G1/4"-F	110
VTR G1/4-IG 9xG1/8	9 x thread G1/8"-F	120
VTR G3/8-IG 9xG1/4	9 x thread G1/4"-F	240

Vacuum distributors

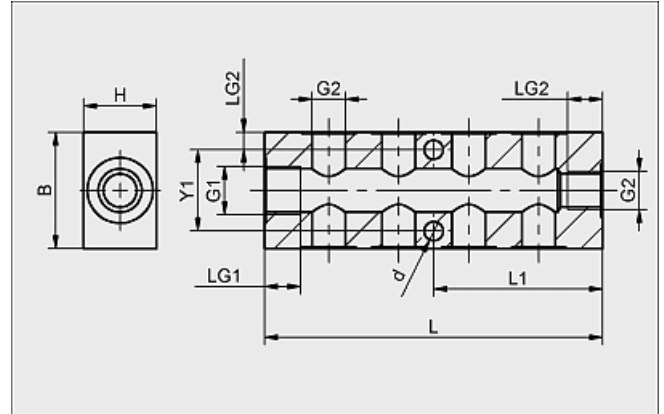
Vacuum/compressed-air distributor VTR



Design data Vacuum/compressed-air distributor VTR



VTR 5



VTR 9

Type	Dimensions in mm									
	B	d	G1	G2	H	L	L1	LG1	LG2	Y1
VTR G1/4-IG 5xG1/8	35	6,5	G1/4"-F	G1/8"-F	20	60	30	10	9	22
VTR G3/8-IG 5xG1/4	40	6,5	G3/8"-F	G1/4"-F	25	72	36	13	12	27
VTR G1/4-IG 9xG1/8	35	6,5	G1/4"-F	G1/8"-F	20	90	45	13	9	22
VTR G3/8-IG 9xG1/4	40	6,5	G3/8"-F	G1/4"-F	25	116	58	13	12	27