

# Vacuum switches

## Vacuum switch VS-V-PM



Vacuum switches VS-V-PM

### Our highlights...

- Mechanical vacuum switch
- Switching point adjustable

### Your advantages...

- >Purely mechanical operation: no electrical connections needed
- >Can be adapted to meet customer requirements

### Applications

- Universal mechanical vacuum switch for safety monitoring, optimization of cycle times and regulation circuits
- Small size and low weight permit use directly on the suction pad
- Purely mechanical operation: no electrical connections

### Construction

- Mechanical vacuum switch in a robust polyacetal
- Vacuum connection with G 1/8" male thread and M5 female thread
- Switching point adjustable with a screw; hysteresis fixed
- Both pneumatic connections with nipple for nominal diameter 2.7 mm



### Suitability for branch-specific applications

#### Designation code Vacuum switch VS-V-PM

Short designation	Measuring range	Principle of operation	Switching function
Example: VS	V	PM	NO
VS	V...-750 to -350 mbar	PM...pneumatic-mechanical	NO...normally open NC...normally closed

#### Ordering data Vacuum switch VS-V-PM

Type	Article No.
VS-V-PM-NO	10.06.02.00117
VS-V-PM-NC	10.06.02.00118

#### Ordering data accessories Vacuum switch VS-V-PM

Type	Article No.
Mounting set* for VS-V-PM	10.06.02.00061
Pneumatic connection hose VSL 4/2,7 PA	10.07.09.00063

\*Set consists of mounting bracket and G1/8" nut, also fitting for type VS-V-D-PNP

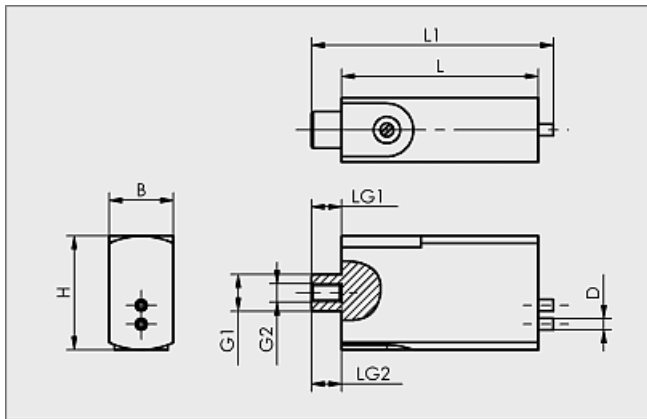
# Vacuum switches

## Vacuum switch VS-V-PM



### Technical data Vacuum switch VS-V-PM

Type	VS-V-PM
Measuring range	-750...-350 mbar
Max. overpressure resistance [bar]	2
Repeatability	< 5% of full-scale value
Hysteresis	Fixed: 50 to 150 mbar
Switching frequency [Hz]	0,5
Measured medium connection	G1/8" male + M5 fem.
Control pressure range	2...6 bar
Max. flow rate [l/min]	50
Air consumption [l/min]	3
Operating temperature [°C]	0...50 °C
Weight [g]	32



VS-V-PM

### Design data Vacuum switch VS-V-PM

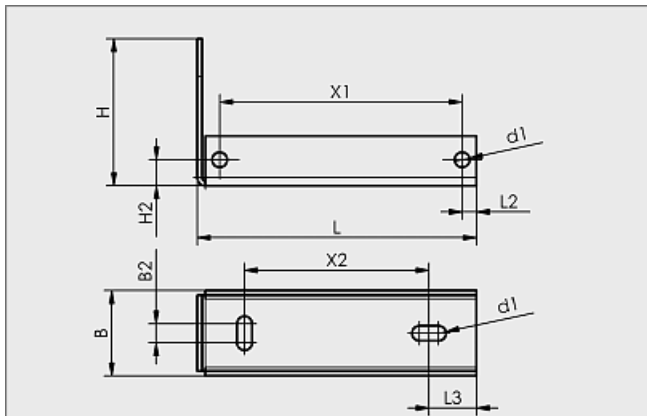
Type	Dimensions in mm				
	B	D	G1	G2	H
VS-V-PM	17	3	G1/8-M	M5-F	30

Type	Dimensions in mm			
	L	L1	LG1	LG2
VS-V-PM	52	64	8	8

### Design data accessories Vacuum switch VS-V-PM

Type	Dimensions in mm				
	B	B2	d1	H	H2
Mounting bracket	21,0	4,0	3,2	34,5	6

Type	Dimensions in mm				
	L	L2	L3	X1	X2
Mounting bracket	60,5	3,0	10,0	52	39,0



Mounting bracket