

Pressure switches

Pressure switch VS-P10-W-D



Pressure switches VS-P10-W-D

Our highlights...

- Electronic pressure switch with digital display
- Switching point and hysteresis programmable with the foil keypad
- Two separately programmable digital output
- Special functions can be programmed

Your advantages...

- > Electronically precise switching with two separate switch outputs
- > Can be adapted optimally to customer requirements
- > Upper and lower limit values can be displayed
- > Further adaptation possible

Applications

- Universal electronic pressure switch for all safety monitoring tasks, optimization of cycle times and regulation circuits
- Small size and low weight permit installation directly at the point of use in handling systems
- Cubic shape is also suitable for panel mounting

Construction

- Electronic pressure switch in robust polycarbonate housing
- Pressure connection via G 1/8" female thread
- Display with 3 digits and foil keypad on front for setting the values
- Integrated LED for indication of the switching state
- Electrical connections and signal output via 4-pin M8 screw connector



Suitability for branch-specific applications

Designation code Pressure switch VS-P10-W-D

Short designation	Measuring range	Shape	Display	Switching function
Example: VS	P10	W	D	PNP
VS	P10...0 to 10 bar	W...cube shape	D...with digital display	PNP...switches to + NPN...switches to -

Ordering data Pressure switch VS-P10-W-D

Type	Article No.
VS-P10-W-D-PNP	10.06.02.00114
VS-P10-W-D-NPN	10.06.02.00127

Pressure switches

Pressure switch VS-P10-W-D



Ordering data accessories Pressure switch VS-P10-W-D

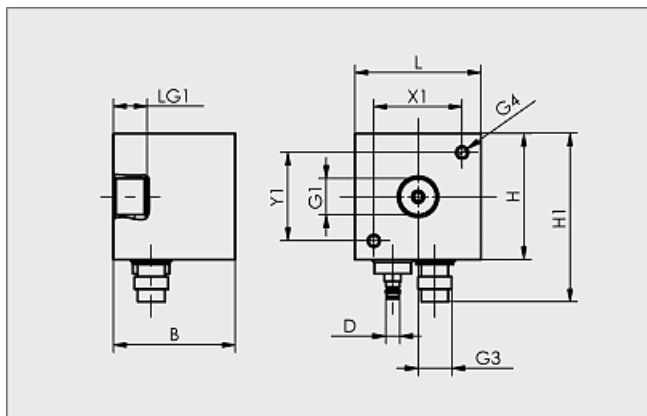
Type	Article No.
Connection cable PUR, 5 m, straight, with union nut M8	10.06.02.00031
Connection cable PUR, 5 m, 90°, with union nut M8	10.06.02.00032
Flange for direct mounting and pressure conn. G1/8" IG* on the side	10.06.02.00116
Panel mounting set	10.06.02.00115
Mounting bracket	10.06.02.00154
Connection hose for reference air (for IP65), ordering unit: metres	10.07.09.00063

Note: See "Connection Options" in this section for more connection possibilities

*Complete with 2 screws M3x6 and O-ring seal 10x1,5

Technical data Pressure switch VS-P10-W-D

Type	VS-P10-W-D
Measured medium	Non-aggressive gases; dry, oil-free air
Measuring range	0...10 bar
Max. overpressure resistance [bar]	16
Repeatability	± 1% of full-scale value
Hysteresis	Adjustable: 0 to 100% of set value or comparator mode
Output signal	2 digital
Switching capacity [mA]	180
Indication	2xLED
Display resolution	0 bar, 1 psi, 0.05 kgf/cm ² , 0.01 Mpa
Display units	bar, psi, kgf/cm ² , Mpa
Measured-value display	3-digit 7-segment LED
Electrical connection	Male connect M8, 4 pol
Measured medium connection	Thread G1/8-F
Voltage	10.8-30V DC
Current consumption [mA]	55
Protection IP	IP 40/65 (with hose)
Temperature influence	± 3% of full-scale value in the range 0 to 50°C
Operating temperature [°C]	0...50 °C
Weight [g]	25



VS-P10-W-D

Design data Pressure switch VS-P10-W-D

Type	Dimensions in mm			
	B	D	G1	G3
VS-P10-W-D	29	3,4	G1/8-F	M8x1-M

Type	Dimensions in mm			
	G4	H	H1	L
VS-P10-W-D	M3-F	30	40	30

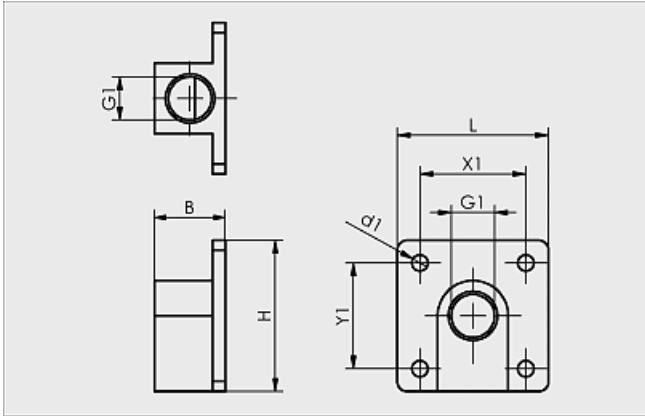
Type	Dimensions in mm		
	LG1	X1	Y1
VS-P10-W-D	8	21	21

Pressure switches

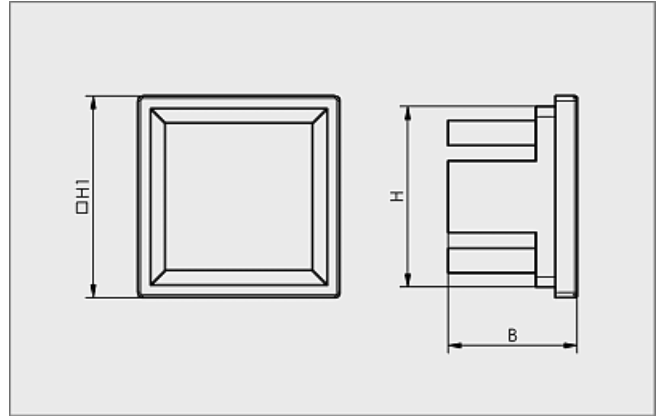
Pressure switch VS-P10-W-D



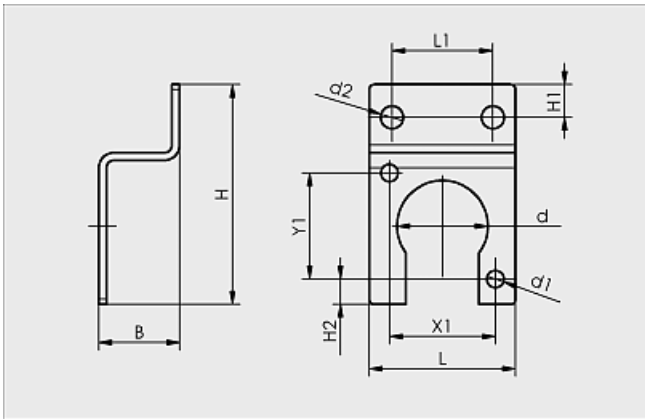
Design data Pressure switch VS-P10-W-D



Flange plate



Mounting frame



Mounting bracket

Type	Dimensions in mm											
	B	d	d1	d2	G1	H	H1	H2	L	L1	X1	Y1
Flange plate	14,0	-	3,2	-	G1/8-F	30,0	-	-	30	-	21	21
Mounting frame	25,6	-	-	-	-	36,0	40,0	-	-	-	-	-
Mounting bracket	16,0	18	3,4	4,5	-	43,5	6,5	5	29	20	21	21