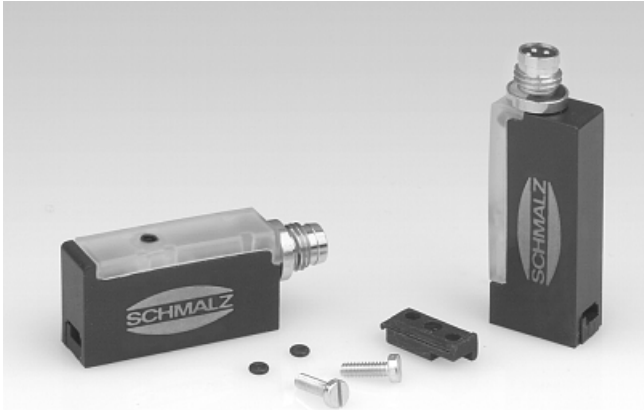


Pressure switches

Pressure switch VS-P10-AH/AV-T



Pressure switches VS-P10-AH/AV-T-PNP, VS-P10-AH/AV-T-PNP-S

Our highlights...

- Switching points can be set with teach button
- Two digital outputs
- Two-colour LED indicator
- For upright or flat mounting
- Switching capacity 200 mA
- Minimum size
- Weight only 6 g

Your advantages...

- >Fast adjustment of switching points
- >Fewer switching elements needed
- >Easily visible status indication
- >Space-saving installation
- >High switching capacity
- >Low space requirements
- >Mass of switch almost negligible

Applications

- Electronic safety monitoring of compressed-air systems
- Suitable for both measuring and switching
- Suitable for use in highly dynamic handling systems

Construction

- Plastic housing in 10-mm design
- Adapter plate for quick mounting, either vertically or horizontally
- Teach button integrated into the cover
- Transparent cover over the LED indicator
- Power and control connections via 4-pin M8 connector
- Available with 6-mm plug-in tube or M5 pneumatic connection



Suitability for branch-specific applications

Designation code Pressure switch VS-P10-AH/AV-T

Short designation	Measuring range	Connection mechanical/pneumatical	Switching point adjustment	Switching function	Additional function
Example: VS	P10	AV	T	PNP	S
VS	P10... 0-10 bar	AH...horizontal AV...vertical	T...with "Teach" button	PNP...switches to +	-...hysteresis adjustable S...hysteresis fixed

Ordering data Pressure switch VS-P10-AH/AV-T

Type	Article No.
VS-P10-AH-T-PNP-S	10.06.02.00382
VS-P10-AH-T-PNP	10.06.02.00383
VS-P10-AV-T-PNP-S	10.06.02.00384
VS-P10-AV-T-PNP	10.06.02.00385

Pressure switches

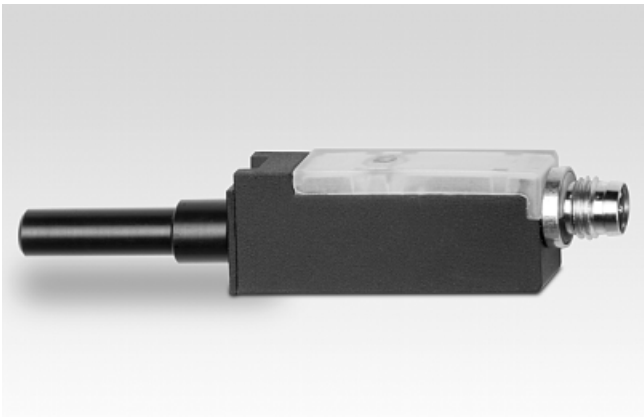
Pressure switch VS-P10-AH/AV-T



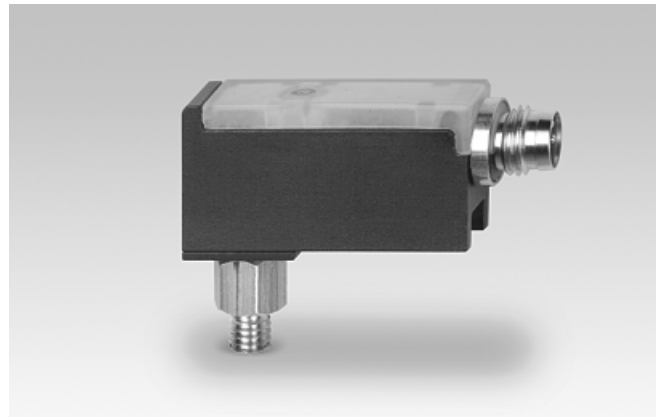
Ordering data accessories Pressure switch VS-P10-AH/AV-T

Connection cable 4-pole		Connection adapter optional	
Material PUR, 5 m, straight	Material PUR, 5 m, 90°	Plug-in tube D6	Screw thread M5-AG
10.06.02.00031	10.06.02.00032	10.06.02.00300	10.06.02.00299

Accessories Pressure switch VS-P10-AH/AV-T



VS-P10-AV-T-PNP with plug-in tube D6



VS-P10-AH-T-PNP with screw thread M5-AG

Technical data Pressure switch VS-P10-AH/AV-T

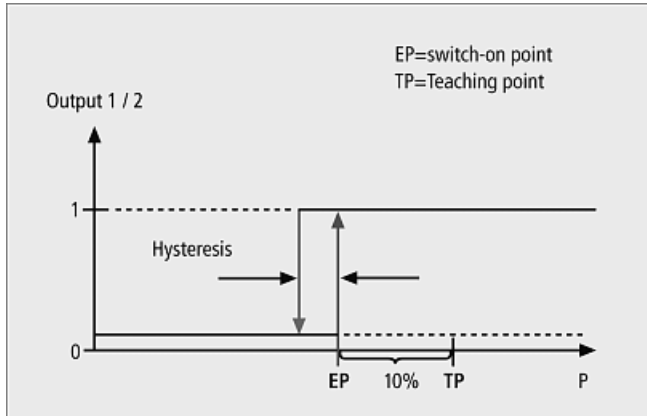
Type	VS-P10-AH-T-PNP-S	VS-P10-AH-T-PNP	VS-P10-AV-T-PNP-S	VS-P10-AV-T-PNP
Measured medium	Non-aggressive gases; dry, oil-free air	Non-aggressive gases; dry, oil-free air	Non-aggressive gases; dry, oil-free air	Non-aggressive gases; dry, oil-free air
Measuring range	0...10 bar	0...10 bar	0...10 bar	0...10 bar
Max. overpressure resistance [bar]	15	15	15	15
Repeatability	± 1% of full-scale value	± 1% of full-scale value	± 1% of full-scale value	± 1% of full-scale value
Hysteresis	Fixed: 2% of full-scale value	Adjustable	Fixed: 2% of full-scale value	Adjustable
Output signal	2 digital	2 digital	2 digital	2 digital
Switching capacity [mA]	200	200	200	200
Indication	2xLED	2xLED	2xLED	2xLED
Electrical connection	Male connect M8, 4 pol	Male connect M8, 4 pol	Male connect M8, 4 pol	Male connect M8, 4 pol
Voltage	10-30V DC	10-30V DC	10-30V DC	10-30V DC
Current consumption [mA]	-	-	-	-
Protection IP	IP 40	IP 40	IP 40	IP 40
Temperature influence	± 3% of full-scale value	± 3% of full-scale value	± 3% of full-scale value	± 3% of full-scale value
Operating temperature [°C]	0...60 °C	0...60 °C	0...60 °C	0...60 °C
Weight [g]	6	6	6	6

Pressure switches

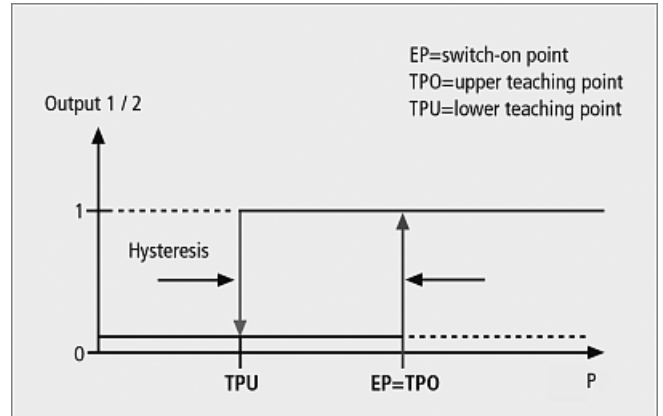
Pressure switch VS-P10-AH/AV-T



Switching-point adjustment Pressure switch VS-P10-AH/AV-T

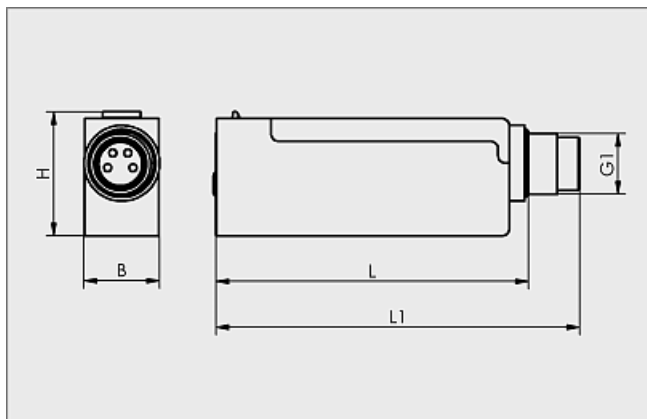


VS-P10-AH/AV-T-S (Switching function: fixed hysteresis)

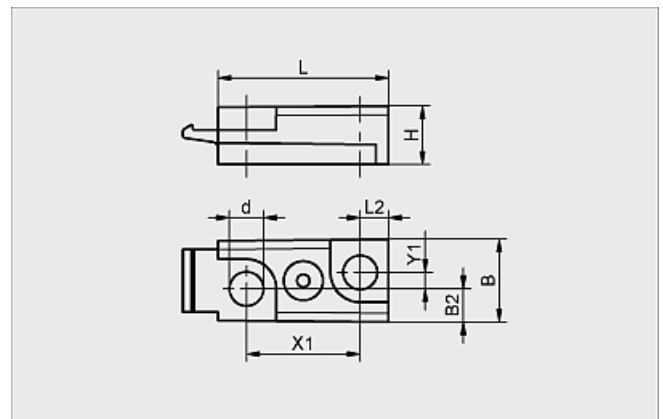


VS-P10-AH/AV-T (Switching function: adjustable hysteresis)

Design data Pressure switch VS-P10-AH/AV-T



VS-P10-AH/AV-T



FLAN-PL 16.3x6.6x4.5 VS

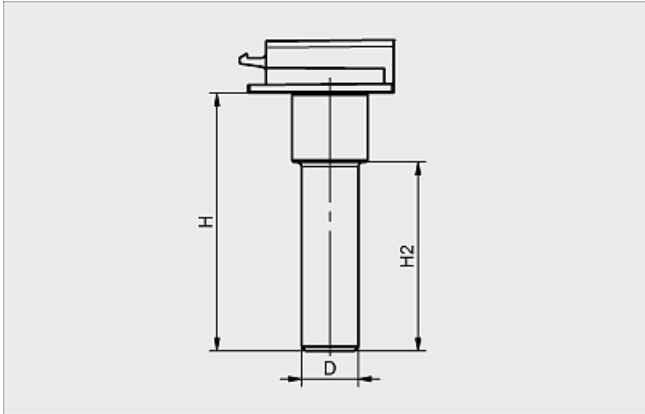
Type	Dimensions in mm									
	B	B2	G1	d	H	L	L1	L2	X1	Y1
VS-P10-AH-T-PNP-S	10	-	M8-M	-	17,5	36,2	43	-	-	-
VS-P10-AH-T-PNP	10	-	M8-M	-	17,5	36,2	43	-	-	-
VS-P10-AV-T-PNP-S	10	-	M8-M	-	16,4	41,2	48	-	-	-
VS-P10-AV-T-PNP	10	-	M8-M	-	16,4	41,2	48	-	-	-
FLAN-PL	7	2,6	-	2,7	4,6	13,5	-	2,3	9	1,3

Pressure switches

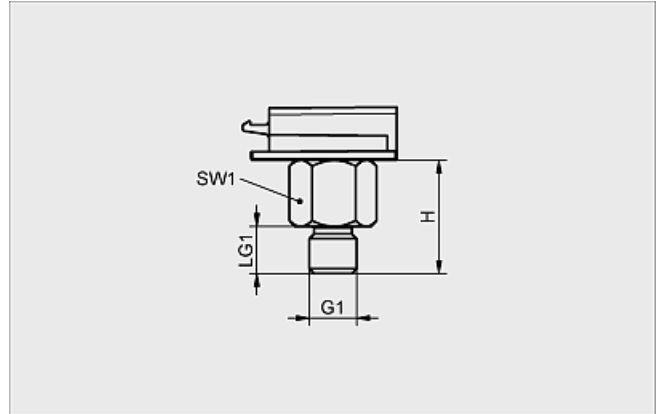
Pressure switch VS-P10-AH/AV-T



Design data accessories Pressure switch VS-P10-AH/AV-T



ADAP-VS 6-1.3x16



ADAP-VS M5-AG-1.3x16

Type	Dimensions in mm						
	Type	D	G1	H	H2	LG1	SW1
Connection adapter D6	ADAP-VS 6-1.3x16	6	-	27,3	20,0	-	-
Connection adapter M5	ADAP-VS M5-AG-1.3x16	-	M5-M	12,0	-	5,0	8