

Vacuum pumps

Vacuum reservoir VOL



Vacuum reservoir VOL

Our highlights...

- Vacuum reservoir for use as a safety device
- With integrated non-return valve
- Large buffer volume

Your advantages...

- > Prevents release of workpieces in the case of a sudden power failure
- > Prevents the vacuum from escaping through the vacuum generator
- > No need to dimension the vacuum generator to handle short-term peak demands

Applications

- For use as a safety backup in the case of sudden power failures wherever increased requirements for safety and reliability exist
- Also suitable for use as a buffer for handling peak demands

Construction

- Vacuum reservoir consisting of a steel tank with safety non-return valve, manometer and dust filter



Suitability for branch-specific applications



Designation code Vacuum reservoir VOL

Short designation	Reservoir volume in l
Example: VOL	50 l
VOL	5...5 l 15...15 l 50...50 l 100...100 l 200...200 l



Ordering data Vacuum reservoir VOL

Type	Article No.
VOL 5	10.03.03.00108
VOL 15	10.03.03.00113
VOL 50	10.03.03.00118
VOL 100	10.03.03.00123
VOL 200	10.03.03.00128

Vacuum pumps

Vacuum reservoir VOL



Ordering data spare parts Vacuum reservoir VOL

Type	Filter insert
VOL 5	10.07.01.00014
VOL 15	10.07.01.00017
VOL 50	10.07.01.00018
VOL 100	10.07.01.00018
VOL 200	10.07.01.00020

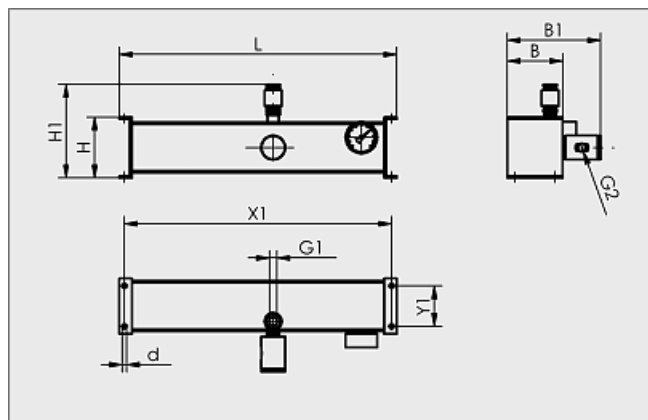


Technical data Vacuum reservoir VOL

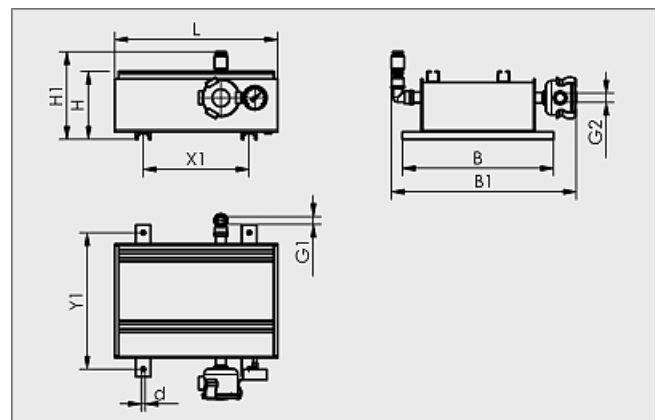
Type	Volume [l]	Weight [kg]
VOL 5	5	8,0
VOL 15	15	17,5
VOL 50	50	35,5
VOL 100	100	51,0
VOL 200	200	97,0



Design data Vacuum reservoir VOL



VOL 5



VOL 15 to 200

Type	Dimensions in mm									
	B	B1	d	G1	G2	H	H1	L	X1	Y1
VOL 5	110	185	9	G3/8-F	G3/8-F	120	180	550	530	80
VOL 15	400	495	11	G1/2-F	G3/4-F	180	250	430	280	360
VOL 50	510	630	11	G3/4-F	G1-1/4-F	235	270	710	480	470
VOL 100	610	750	11	G1-1/4-F	G1-1/4-F	334	405	710	480	570
VOL 200	710	1015	11	G2-F	G2-1/2-F	434	495	910	592	670