

Holders for suction pads and spring plungers



Bulkhead connector SVS-GE



Bulkhead connector SVS-GE

Our highlights...

- Bulkhead fitting with G1/8" - IG and G1/4" - IG threads
- Male thread over the entire length
- Locking nuts included
- Stainless steel
- Hose connection can be combined with Schmalz plug-in unions

Your advantages...

- > All suction pads and nipples with G1/8" - AG and G1/4" - AG threads can be screwed in
- > Permits precise adjustment of the suction-pad position
- > No further mounting elements needed
- > No corrosion, high stability
- > Easy adaptation to various hose diameters

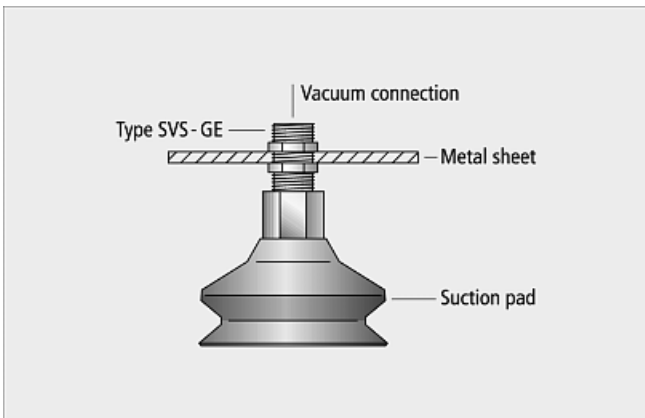
Mounting elements
4



Installation example SVS-GE

Applications

- Mounting of suction pads in vacuum-gripper systems
- Precise adjustment of the suction-pad height



Mounting example SVS-GE

Construction

- Stainless-steel sleeve with male and female threads
- 2 locking nuts included
- Flats for spanner on external thread
- Vacuum connection by plug-in union (not included in delivery), see chapter 8



Suitability for branch-specific applications

Holders for suction pads and spring plungers

Bulkhead connector SVS-GE

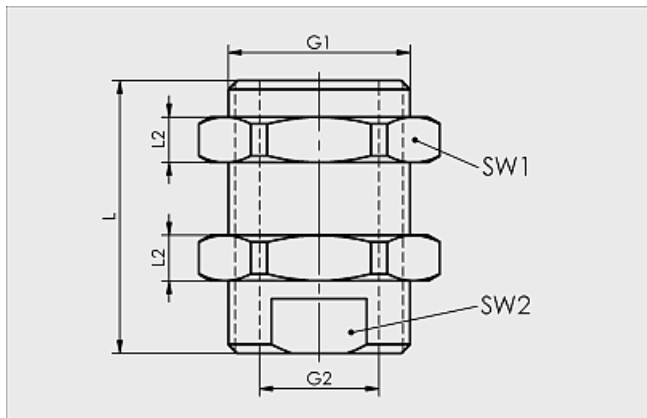


Designation code Bulkhead connector SVS-GE

Short designation	Male thread	Connection thread	Fitting length in mm
Example: SVS-GE	M20x1.5-AG	G1/4-IG	30
SVS-GE	M20x1.5-AG (AG = male) M16x1-AG	G1/4-IG (IG = female) G1/8-IG	30

Ordering data Bulkhead connector SVS-GE

Type	Article No.
SVS-GE M20x1.5-AG G1/4-IG 30	10.08.03.00180
SVS-GE M16x1-AG G1/8-IG 30	10.08.03.00181



SVS-GE

Design data Bulkhead connector SVS-GE

Type	Dimensions in mm		
	G1	G2	L
SVS-GE M20x1.5-AG G1/4-IG 30	M20x1.5-M	G1/4"-F	30
SVS-GE M16x1-AG G1/8-IG 30	M16x1-M	G1/8"-F	30

Type	Dimensions in mm		
	L2	SW1	SW2
SVS-GE M20x1.5-AG G1/4-IG 30	5	24	17
SVS-GE M16x1-AG G1/8-IG 30	5	22	13