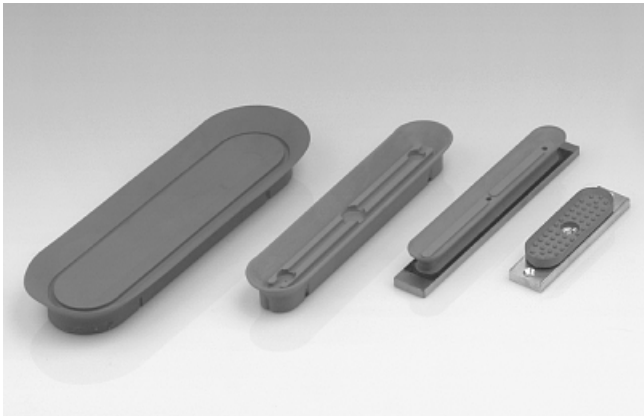


# Flat suction pads (oval)

Flat suction pads SPLO



Flat suction pads SPLO

## Our highlights...

- Flat, oval suction pad
- Supporting plate made of steel/aluminum with sealing lip vulcanised to it
- Sealing lip made of NBR
- Various sizes and shapes
- Supports on the bottom

## Your advantages...

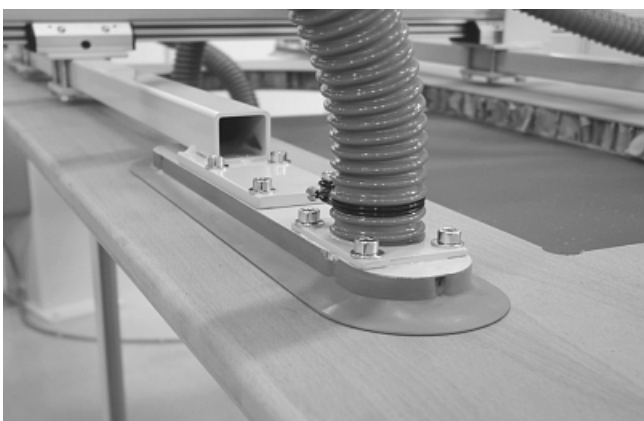
- >Suction pad for long, narrow workpieces, also curved workpieces (such as sections)
- >Capable of handling heavy loads; flexible mounting facilities
- >Little marking, even of sensitive surfaces
- >Wide range of pads for many different workpieces
- >No permanent deformation of thin-walled workpieces



Suction plate SPLO provide maximum suction force on long, narrow workpieces

## Applications

- Handling of long, narrow workpieces such as sections or door and window frames
- Considerably higher suction force than with round, flat suction pads
- SPLO 100x32-TV and SPLO 300x100-TV available with sensing valve to detect presence of workpieces
- SPLO 100x30 to SPLO 300x100 with long sealing lip for handling very curved workpieces



Suction plate SPLO mounted on a manually guided vacuum lifting device

## Construction

- Robust and hard-wearing suction pad SPL with single sealing lip
- Sealing lip vulcanised to supporting plate
- SPLO 100x32-TV and SPLO 300x100-TV with sensing valve
- Sealing lip made of NBR for minimum marking of workpieces



## Suitability for branch-specific applications

# Flat suction pads (oval)

## Flat suction pads SPLO



Vacuum suction pads  
2

### Designation code Flat suction pads SPLO

Short designation	Length x width in mm	Material and shore hardness	Connection thread	Additional function
Example: SPLO	100x32	NBR-50	G1/4-IG	TV
SPLO	60x20 to 370x80	NBR-50	G1/8-IG - G1/4-IG (IG = female)	TV...sensing valve

### Ordering data Flat suction pads SPLO

Type*	Article No.
SPLO 60x20 NBR-55 G1/8-IG	10.01.05.00001
SPLO 100x32 NBR-50 G1/4-IG	10.01.05.00002
SPLO 100x32 NBR-50 TV	10.01.05.00003
SPLO 100x30 NBR-50	10.01.05.00182
SPLO 200x30 NBR-50	10.01.05.00183
SPLO 300x30 NBR-55	10.01.05.00184
SPLO 150x55 NBR-50	10.01.05.00046
SPLO 200x55 NBR-50	10.01.05.00004
SPLO 250x55 NBR-50	10.01.05.00186
SPLO 300x55 NBR-50	10.01.05.00187
SPLO 300x100 NBR-50	10.01.05.00050
SPLO 300x100 NBR-50 TV	10.01.05.00188
SPLO 370x80 NBR-50	10.01.05.00006

\*TV = sensing valve

### Technical data Flat suction pads SPLO

Type	Suction force [N]*	Volume [cm <sup>3</sup> ]	Min. curve radius [mm] (convex)
SPLO 60x20 NBR-55 G1/8-IG	50	3	15
SPLO 100x32 NBR-50 G1/4-IG	134	10	50
SPLO 100x32 NBR-50 TV	134	10	50
SPLO 100x30 NBR-50	126	13	25
SPLO 200x30 NBR-50	260	26	30
SPLO 300x30 NBR-55	400	39	30
SPLO 150x55 NBR-50	340	60	75
SPLO 200x55 NBR-50	465	80	50
SPLO 250x55 NBR-50	590	100	50
SPLO 300x55 NBR-50	710	120	50
SPLO 300x100 NBR-50	1250	165	175
SPLO 300x100 NBR-50 TV	1250	165	175
SPLO 370x80 NBR-50	1270	240	100

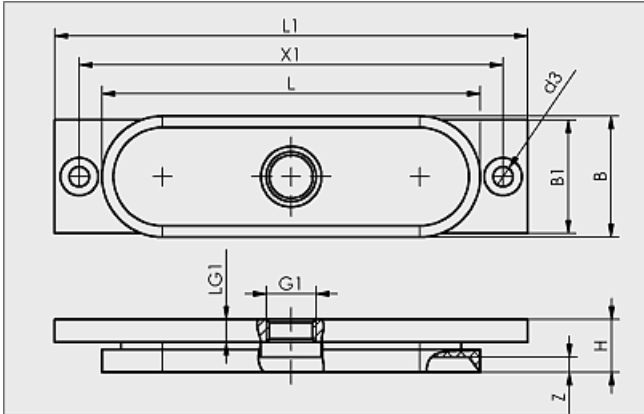
\*The specified suction forces are theoretical values at a vacuum of -0.6 bar and with a smooth, dry workpiece surface - they do not include a safety factor

# Flat suction pads (oval)

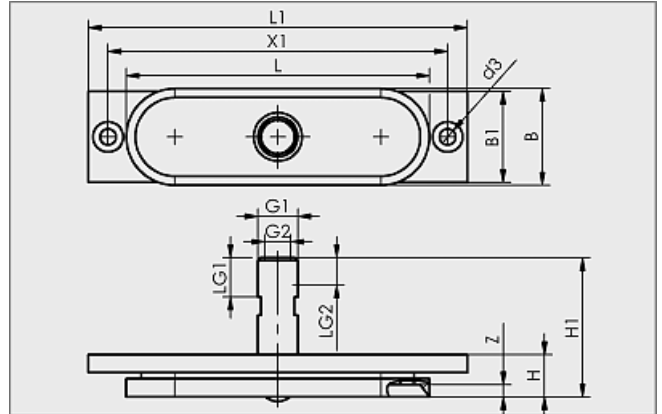
Flat suction pads SPLO



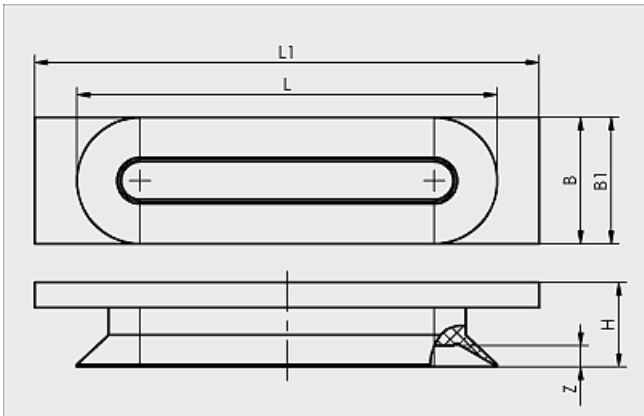
## Design data Flat suction pads SPLO



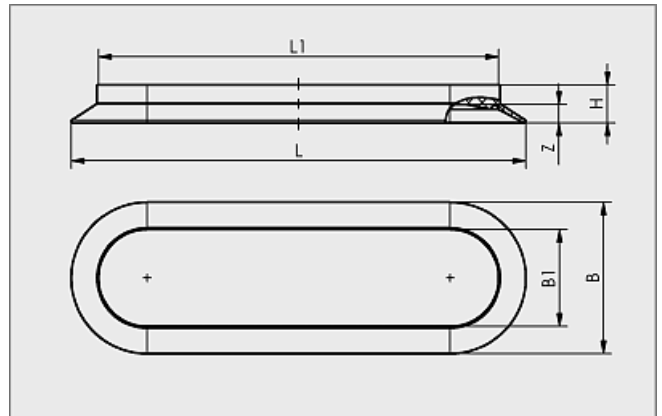
SPLO 60x20 to 100x32



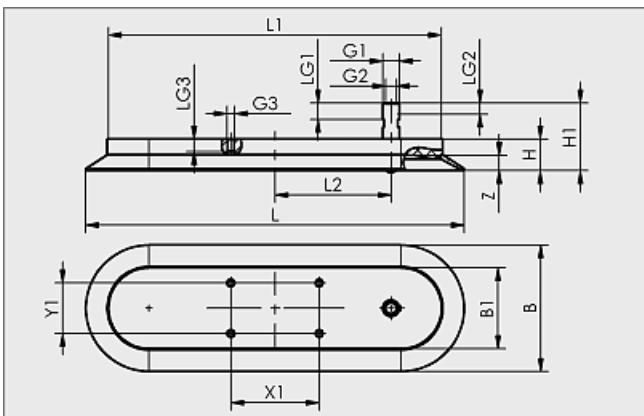
SPLO 100x32 TV



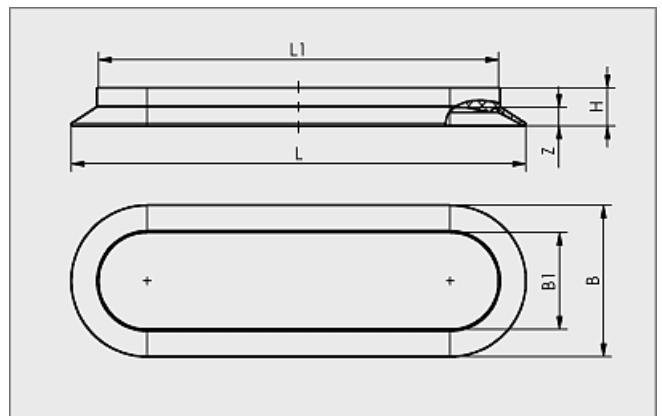
SPLO 100x30, 200x30 and 300x30



SPLO 150x55, 200x55, 250x55 and 300x55



SPLO 300x100 TV



SPLO 300x100, 370x80

# Flat suction pads (oval)

## Flat suction pads SPLO



### Design data Flat suction pads SPLO

Type	Dimensions in mm*																
	B	B1	d3	G1	G2	G3	H	H1	L	L1	L2	LG1	LG2	LG3	X1	Y1	Z
SPLO 60x20 NBR-55 G1/8-IG	20	20	4,5	G1/8"-F	-	-	12,5	-	60	75	-	6	-	-	65	-	1
SPLO 100x32 NBR-50 G1/4-IG	32	30	5,3	G1/4"-F	-	-	14,0	-	100	126	-	6	-	-	112	-	2
SPLO 100x32 NBR-50 TV	32	30	5,3	G1/4-M	G1/8-F	-	14,0	46,0	100	126	-	13	9	-	112	-	2
SPLO 100x30 NBR-50	29	30	-	-	-	-	20,0	-	99	120	-	-	-	-	-	-	5
SPLO 200x30 NBR-50	30	30	-	-	-	-	20,0	-	201	220	-	-	-	-	-	-	5
SPLO 300x30 NBR-55	30	30	-	-	-	-	20,0	-	300	320	-	-	-	-	-	-	5
SPLO 150x55 NBR-50	55	32	-	-	-	-	19,4	-	150	125	-	-	-	-	-	-	8
SPLO 200x55 NBR-50	53	31	-	-	-	-	22,0	-	200	178	-	-	-	-	-	-	8
SPLO 250x55 NBR-50	51	32	-	-	-	-	22,0	-	246	225	-	-	-	-	-	-	8
SPLO 300x55 NBR-50	54	31	-	-	-	-	21,0	-	299	274	-	-	-	-	-	-	8
SPLO 300x100 NBR-50	101	68	-	-	-	-	25,0	-	300	267	-	-	-	-	-	-	9
SPLO 300x100 NBR-50 TV	101	68	-	G1/4-M	G1/8-F	M6-F	25,0	53,5	300	267	92	13	9	10	70	40	9
SPLO 370x80 NBR-50	81	54	-	-	-	-	26,0	-	374	347	-	-	-	-	-	-	8

\*Acceptable dimensional tolerances for rubber parts concerning to M3 - DIN 7715