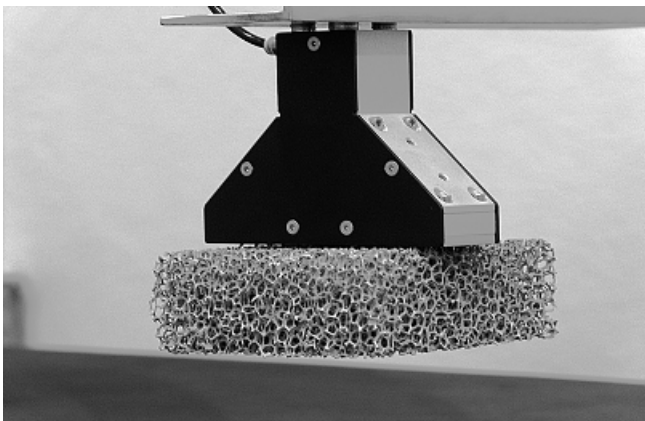


Needle grippers

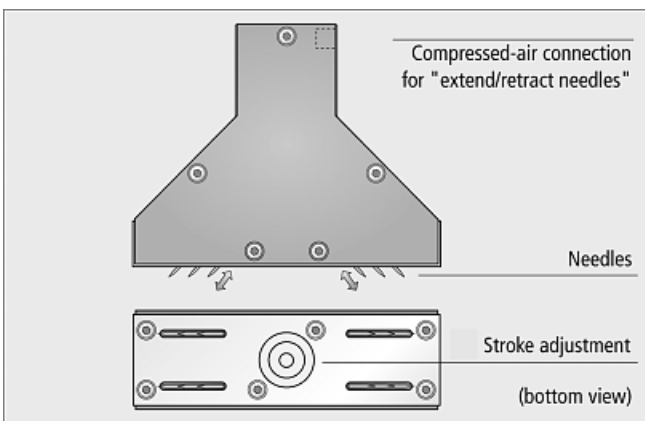
Needle grippers SNG-YV



Needle grippers SNG-YV



Needle gripper SNG-YV for handling of metal foams



System design needle gripper SNG-YV

Our highlights...

- Variable needle stroke
- Three different needle diameters
- Single-acting pneumatic cylinder
- Synchronised extension of the needles
- Optionally available with adapter flange plate

Your advantages...

- > Individual adaptation to workpieces of different sizes and shapes
- > Specific design for individual applications
- > Simple control
- > Safe handling of the workpieces
- > Perfect adaptation to other mounting components

Applications

- Handling of flexible, non-rigid components
- Handling of materials which are difficult to grip with vacuum, such as textiles, fleece, felt, carpets, metal foam, insulating mats, foam materials, etc.

Construction

- Robust aluminium housing
- 12 needles
- Needles extended by compressed air and retracted by springs
- Insertion angle 45°

Designation code Needle grippers SNG-YV

Short designation	Number of needles	Needle diameter in mm	Additional function
Example: SNG-Y	12	0.8	V
SNG-Y...fixed needle stroke	12	0.8	V...variable needle stroke
SNG-YV...variable needle stroke		1.2 2.0	

Needle grippers

Needle grippers SNG-YV



Ordering data Needle grippers SNG-YV

Type*	Article No.
SNG-Y 12 0.8 V	10.01.29.00002
SNG-Y 12 1.2 V	10.01.29.00003
SNG-Y 12 2.0 V	10.01.29.00004

*Note: suitable plug-in screw unions can be found under "Plug-in screw unions" in section 8

Ordering data spare parts and accessories Needle grippers SNG-YV

Type	Needle wedge*	Type	Mounting plate*
SNG-Y 12 0.8 V	10.01.29.00096	SNG-Y 12 0.8 V	10.01.29.00093
SNG-Y 12 1.2 V	10.01.29.00097	SNG-Y 12 1.2 V	10.01.29.00093
SNG-Y 12 2.0 V	10.01.29.00098	SNG-Y 12 2.0 V	10.01.29.00093

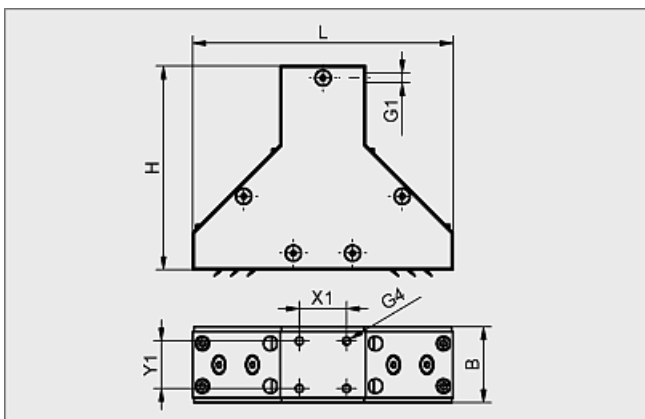
*Set of two needle wedges with needles

*complete with mounting screws

Technical data Needle grippers SNG-YV

Type	Number of needles	Needle diameter [mm]	Additional function	Stroke [mm]	Operating pressure [bar]	Operating temperature [°C]	Installation position	Weight [g]
SNG-Y 12 0.8 V	12	0,8	Variable needle stroke	0...3,5	3...6	5...60	Arbitrary	400
SNG-Y 12 1.2 V	12	1,2	Variable needle stroke	0...3,5	3...6	5...60	Arbitrary	400
SNG-Y 12 2.0 V	12	2,0	Variable needle stroke	0...3,5	3...6	5...60	Arbitrary	400

Design data Needle grippers SNG-YV

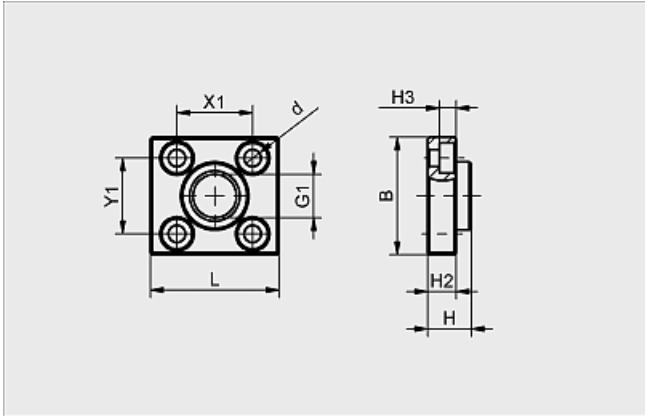


SNG-Y 12 0.8-2.0 V

Type	Dimensions in mm						
	B	G1	G4	H	L	X1	Y1
SNG-Y 12 0.8 V	32	M5-F	M4-F	86	110	20	20
SNG-Y 12 1.2 V	32	M5-F	M4-F	86	110	20	20
SNG-Y 12 2.0 V	32	M5-F	M4-F	86	110	20	20

Needle grippers

Needle grippers SNG-YV



BEF-PL SNG

Design data accessories Needle grippers SNG-YV

Type	Dimensions in mm				
	B	d	G1	H	H2
Mounting plate BEF-PL SNG	31	4,5	G1/4"-F	11,5	7,5

Type	Dimensions in mm			
	H3	L	X1	Y1
Mounting plate BEF-PL SNG	4,4	34	20	20