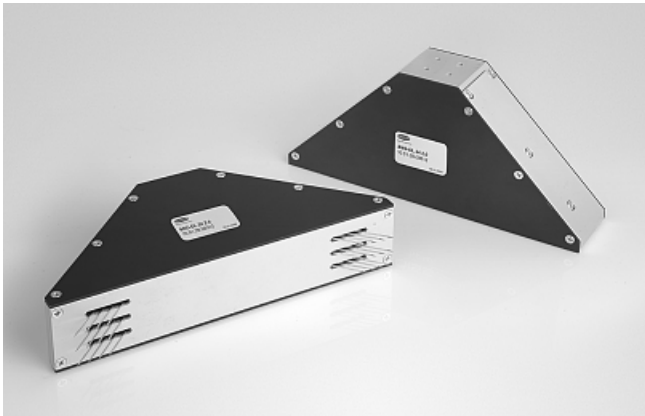


Needle grippers

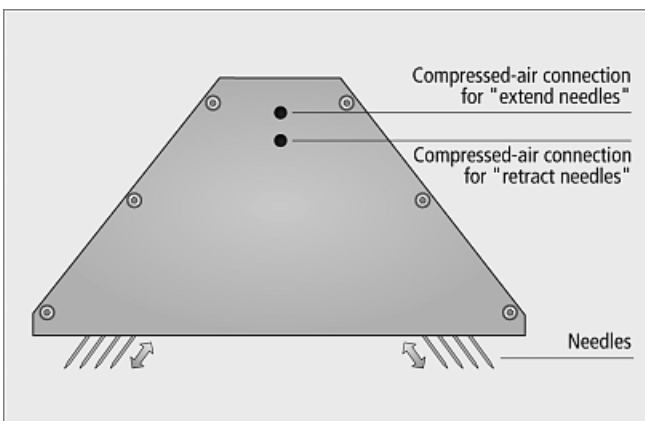
Needle grippers SNG-DL



Needle grippers SNG-DL



Needle grippers SNG-DL for handling of large insulating mats



System design needle gripper SNG-DL

Our highlights...

- Large version with very long needle stroke
- Two different needle diameters
- Double-acting pneumatic cylinder
- Synchronised extension of the needles
- Optionally available with adapter flange plate

Your advantages...

- >Optimal for rough operating conditions and heavy parts
- >Specific designs for individual applications
- >Very short cycle times
- >Safe handling of the workpieces
- >Perfect adaptation to other mounting components

Applications

- Handling of flexible, non-rigid components
- Handling of materials which are difficult to grip with vacuum, such as textiles, fleece, felt, carpets, metal foam, insulating mats, foam materials, etc.

Construction

- Robust aluminium housing
- 24 needles
- Extension and retraction of the needles controlled by compressed air (2 circuits)
- Insertion angle 45°

Designation code Needle grippers SNG-DL

Short designation	Number of needles	Needle diameter in mm
Example: SNG-DL	24	1.2
SNG-DL	24	1.2 2.0

Needle grippers

Needle grippers SNG-DL



Ordering data Needle grippers SNG-DL

Type*	Article No.
SNG-DL 24 1.2	10.01.29.00011
SNG-DL 24 2.0	10.01.29.00012

*Note: suitable plug-in screw unions can be found under "Plug-in screw unions" in section 8

Ordering data spare parts and accessories Needle grippers SNG-DL

Type	Needle wedge*	Type	Mounting plate*
SNG-DL 24 1.2	10.01.29.00102	SNG-DL 24 1.2	10.01.29.00093
SNG-DL 24 2.0	10.01.29.00103	SNG-DL 24 2.0	10.01.29.00093

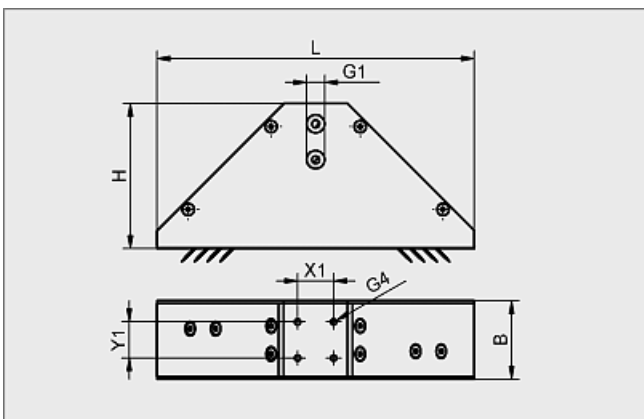
*Set of two needle wedges with needles

*complete with mounting screws

Technical data Needle grippers SNG-DL

Type	Number of needles	Needle diameter [mm]	Stroke [mm]	Operating pressure [bar]	Operating temperature [°C]	Installation position	Weight [g]
SNG-DL 24 1.2	24	1,2	17,5	3...6	5...60	Arbitrary	1500
SNG-DL 24 2.0	24	2,0	17,5	3...6	5...60	Arbitrary	1500

Design data Needle grippers SNG-DL

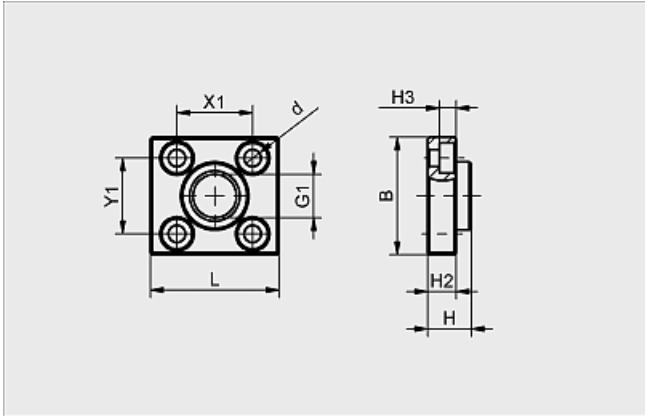


SNG-DL 24 1.2-2.0

Type	Dimensions in mm							
	B	B2	G1	G4	H	L	X1	Y1
SNG-DL 24 1.2	55	66,5	M5-F	M4-F	117	264	20	20
SNG-DL 24 2.0	55	66,5	M5-F	M4-F	117	264	20	20

Needle grippers

Needle grippers SNG-DL



BEF-PL SNG

Design data accessories Needle grippers SNG-DL

Type	Dimensions in mm				
	B	d	G1	H	H2
Mounting plate BEF-PL SNG	31	4,5	G1/4"-F	11,5	7,5

Type	Dimensions in mm			
	H3	L	X1	Y1
Mounting plate BEF-PL SNG	4,4	34	20	20