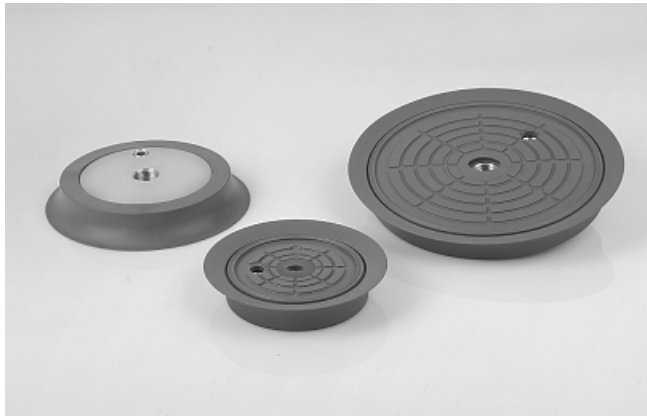


# Suction pads for handling wood



## Suction plates SHF

Vacuum suction pads  
2



Suction plates SHF

### Our highlights...

- Soft sealing lip
- Sealing lip with double internal sealing edge
- Specially structured lower surface
- Optimized shape

### Your advantages...

- > Optimal adaptation to uneven workpiece surfaces
- > Very good sealing on rough and smooth surfaces
- > Suitable for highly dynamic movement and short cycle times
- > Gasket can be changed quickly without tools

### Applications

- Handling of sheets, furniture elements, parquet and similar large, flat workpieces
- Handling of wooden parts with rough surfaces
- Individual suction plates can be deactivated with the optional sensing valve to prevent the entry of air

### Construction

- Suction plate SHF, consisting of gasket and aluminum mounting plate
- Gasket clipped securely to mounting plate (can be changed without tools)
- Sealing lip and double internal sealing edge for better sealing to rough surfaces
- Vacuum connector on the side normally sealed with a screw plug
- The optional sensing valve can be ordered separately and installed by the customer. Use medium-strength locking compound for installation
- Filter sieves available as accessories



### Suitability for branch-specific applications

### Designation code Suction plates SHF

Short designation	Diameter in mm	Material and shore hardness	Connection thread
Example: SHF	125	NK-45	G1/4-IG
SHF	125 160 210	NK-45	G1/4-IG (IG = female) G1/2-IG

### Ordering data Suction plates SHF

Type	Article No.
SHF 125 NK-45 G1/4-IG	10.01.01.11788
SHF 160 NK-45 G1/2-IG	10.01.01.12025
SHF 210 NK-45 G1/2-IG	10.01.01.11814

# Suction pads for handling wood

## Suction plates SHF



### Ordering data spare parts and accessories Suction plates SHF

Type	Sealing ring DR-SHF	Sieve (center)	Sieve (outside)	Sensing valve
SHF 125 NK-45 G1/4-IG	10.01.01.11783	10.07.01.00215	10.07.01.00215	10.05.10.00061
SHF 160 NK-45 G1/2-IG	10.01.01.12023	10.07.01.00110	10.07.01.00215	10.05.10.00061
SHF 210 NK-45 G1/2-IG	10.01.01.11809	10.07.01.00110	10.07.01.00215	10.05.10.00061



### Technical data Suction plates SHF

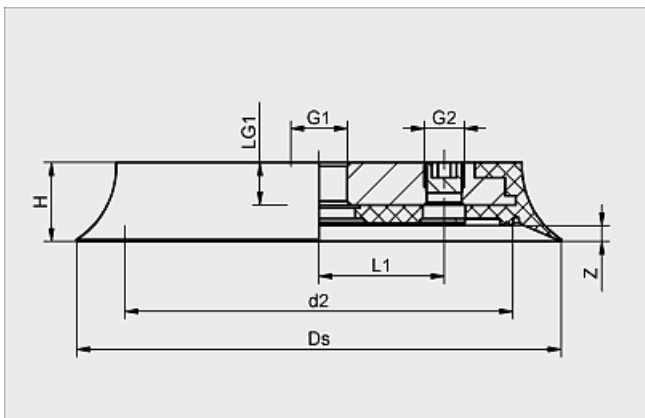
Type	Suction force Ds [N]*	Suction force d2 [N]**	Volume [cm <sup>3</sup> ]	Min. curve radius [mm] (convex)	Recom. internal hose diameter d [mm]
SHF 125 G1/4-IG	625	290	72	305	9
SHF 160 G1/2-IG	1025	580	117	500	12
SHF 210 G1/2-IG	1770	1160	224	885	12

\*The specified suction forces are theoretical values at a vacuum of -0.6 bar and with a smooth, dry workpiece surface - they do not include a safety factor

\*\*Suction force referred to the sealing-edge diameter d2



### Design data Suction plates SHF



SHF

Type*	Dimensions in mm**							
	d2	Ds	G1	G2***	H	L1	LG1	Z
SHF 125 G1/4-IG	85	125	G1/4"-F	G1/4"-F	26	26,5	14	6
SHF 160 G1/2-IG	120	160	G1/2"-F	G1/4"-F	26	41,4	14	6
SHF 210 G1/2-IG	170	210	G1/2"-F	G1/4"-F	26	52,8	14	6

\*The connection dimensions for the sensing valve can be found under "Sensing valves TV/TVN" in Section 6

\*\*Acceptable dimensional tolerances for rubber sealings concerning to DIN 7715 - M3

\*\*\*A plug is fitted in this connection in the factory