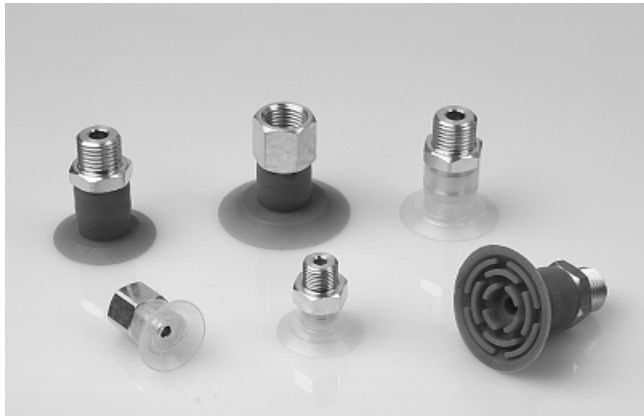


# Suction pads for plastic films and paper



## Flat suction pads SGPN

Vacuum suction pads  
2



Film and paper suction pads SGPN

### Our highlights...

- Flat, long-tapered sealing lip and inner support
- Particularly soft pad material; natural rubber NK (hardness only 40 Shore A)
- Also available in the material silicone SI, hardness 50 Shore A

### Your advantages...

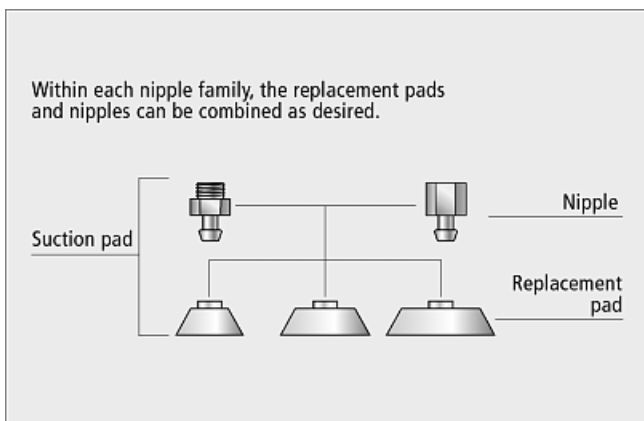
- >No "pulling-in" into the suction pad, i.e. very suitable for plastic films, paper and solar cells
- >No crinkling when gripping paper and plastic films
- >Resistant to ozone, UV radiation and heat; predestined for handling tasks in the paper and printing industry



Foil and paper suction pads SGPN SI being used for handling blister packs

### Applications

- Handling of paper and plastic films
- Handling of wood veneers
- Handling of wafers and solar cells
- Handling of various packing materials (plastic films, paper, blister packs)



Modular suction-pad system

### Construction

- Robust and hard-wearing suction pad SGPN with single sealing lip, consisting of suction pad SGP and connection nipple
- Nipple plugged into pad
- Suction pads are delivered unassembled



### Suitability for branch-specific applications

# Suction pads for plastic films and paper

## Flat suction pads SGPN



### Designation code Flat suction pads SGPN

Short designation	Diameter in mm	Material and shore hardness	Connection thread
Example: SGPN	30	NK-40	G1/4-IG
SGPN...with connection nipple SGP...without connection nipple	15 to 40	NK-40 SI-50	M5-AG G1/8-IG/AG (AG = male) G1/4-IG/AG (IG = female)

### Ordering data Flat suction pads SGPN

Type	Natural Rubber NK 40±5ShA	Silicone SI 50±5ShA
SGPN 15 M5-AG	10.01.01.11977	10.01.01.11980
SGPN 15 G1/8-AG	10.01.01.10315	10.01.01.11981
SGPN 15 G1/8-IG	10.01.01.10181	10.01.01.11982
SGPN 20 M5-AG	10.01.01.11978	10.01.01.11983
SGPN 20 G1/8-AG	10.01.01.10316	10.01.01.11984
SGPN 20 G1/8-IG	10.01.01.10180	10.01.01.11985
SGPN 24 M5-AG	10.01.01.11979	10.01.01.11986
SGPN 24 G1/8-AG	10.01.01.10317	10.01.01.11987
SGPN 24 G1/8-IG	10.01.01.10182	10.01.01.11988
SGPN 30 G1/4-AG	10.01.01.00791	10.01.01.11989
SGPN 30 G1/4-IG	10.01.01.00790	10.01.01.11990
SGPN 34 G1/4-AG	10.01.01.10831	-
SGPN 34 G1/4-IG	10.01.01.10830	-
SGPN 35 G1/4-AG	10.01.01.00793	-
SGPN 35 G1/4-IG	10.01.01.00792	-
SGPN 40 G1/8-AG	10.01.01.11739	-
SGPN 40 G1/4-AG	10.01.01.00795	-
SGPN 40 G1/4-IG	10.01.01.00794	-

\*See Section 2, "Basic Principles of Suction-Pad Materials" for further details of materials

### Ordering data spare parts suction pads and suction pad nipples

Type	Natural Rubber NK 40±5ShA	Silicone SI 50±5ShA	Type	Suction-pad connection nipple	
SGP 15	10.01.01.10318	10.01.01.10574	SGPN 15 M5-AG	SA-NIP N016 M5-AG DN250	10.01.06.00123
SGP 20	10.01.01.10319	10.01.01.11571	SGPN 15 G1/8-AG	SA-NIP N016 G1/8-AG DN350	10.01.06.05735
SGP 24	10.01.01.10320	10.01.01.10577	SGPN 15 G1/8-IG	SA-NIP N016 G1/8-IG DN350	10.01.06.05731
SGP 30	10.01.01.00787	10.01.01.01064	SGPN 20 M5-AG	SA-NIP N016 M5-AG DN250	10.01.06.00123
SGP 34	10.01.01.10829	-	SGPN 20 G1/8-AG	SA-NIP N016 G1/8-AG DN350	10.01.06.05735
SGP 35	10.01.01.00788	-	SGPN 20 G1/8-IG	SA-NIP N016 G1/8-IG DN350	10.01.06.05731
SGP 40	10.01.01.00789	-	SGPN 24 M5-AG	SA-NIP N016 M5-AG DN250	10.01.06.00123
			SGPN 24 G1/8-AG	SA-NIP N016 G1/8-AG DN350	10.01.06.05735
			SGPN 24 G1/8-IG	SA-NIP N016 G1/8-IG DN350	10.01.06.05731
			SGPN 30 G1/4-AG	SA-NIP N033 G1/4-AG DN550	10.01.01.00818
			SGPN 30 G1/4-IG	SA-NIP N033 G1/4-IG DN550	10.01.01.00817
			SGPN 34 G1/4-AG	SA-NIP N033 G1/4-AG DN550	10.01.01.00818
			SGPN 34 G1/4-IG	SA-NIP N033 G1/4-IG DN550	10.01.01.00817
			SGPN 35 G1/4-AG	SA-NIP N034 G1/4-AG DN550	10.01.01.00820
			SGPN 35 G1/4-IG	SA-NIP N034 G1/4-IG DN550	10.01.01.00819
			SGPN 40 G1/8-AG	SA-NIP N035 G1/8-AG DN500	10.01.01.11738
			SGPN 40 G1/4-AG	SA-NIP N035 G1/4-AG DN550	10.01.01.00822
			SGPN 40 G1/4-IG	SA-NIP N035 G1/4-IG DN550	10.01.01.00821

# Suction pads for plastic films and paper



## Flat suction pads SGPN

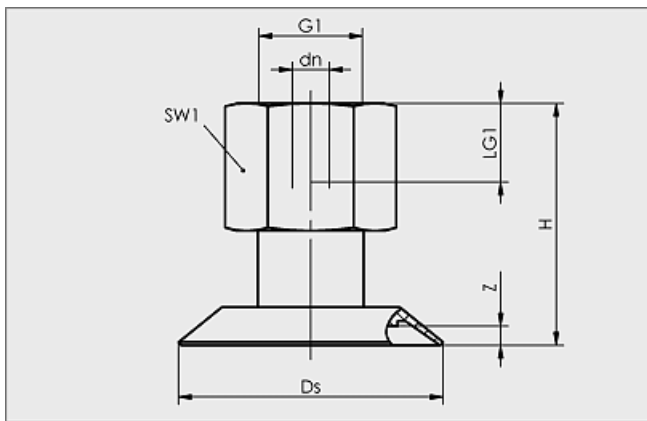
Vacuum suction pads  
2

### Technical data Flat suction pads SGPN

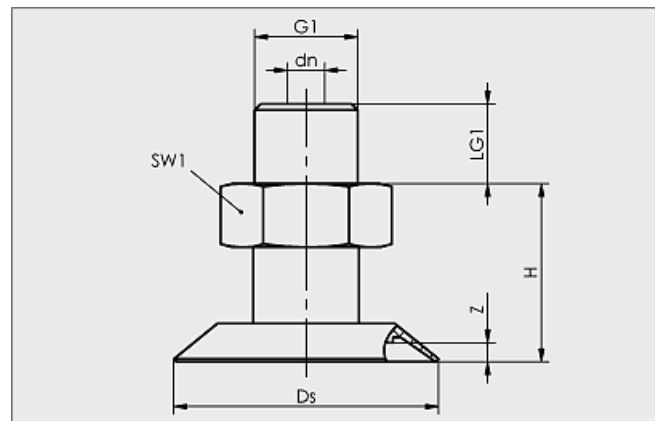
Type	Suction force [N]*	Volume [cm <sup>3</sup> ]	Recom. internal hose diameter d [mm]	Nipple family
SGPN 15	5,5	0,12	2	N 016
SGPN 20	8,5	0,31	2	N 016
SGPN 24	11,0	0,70	4	N 016
SGPN 30	19,0	1,50	4	N 033
SGPN 34	25,0	2,10	4	N 033
SGPN 35	31,0	2,20	4	N 034
SGPN 40	33,0	2,90	4	N 035

\*The specified suction forces are theoretical values at a vacuum of -0.6 bar and with a smooth, dry workpiece surface - they do not include a safety factor

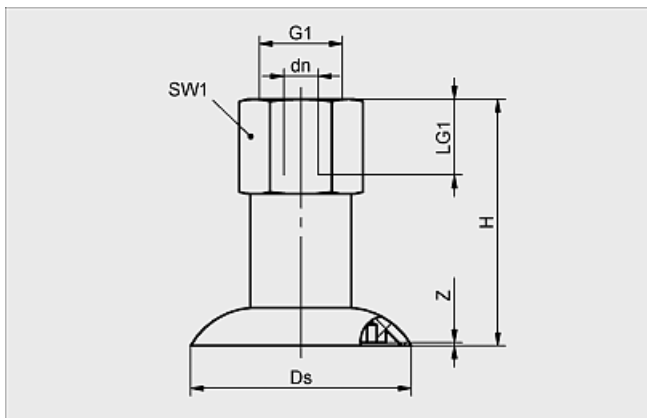
### Design data Flat suction pads SGPN



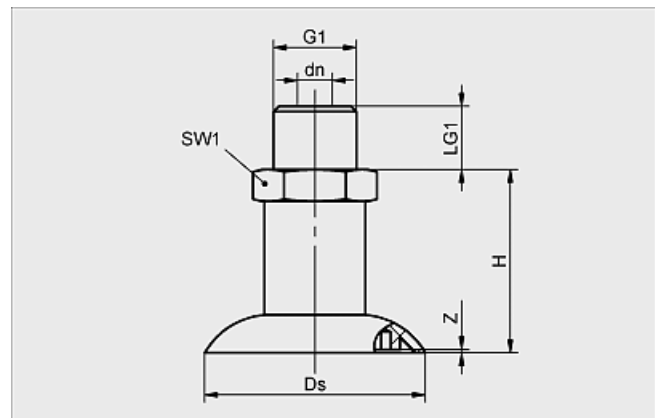
SGPN 15 to 40 IG



SGPN 15 to 40 AG



SGPN 35 IG



SGPN 35 AG

# Suction pads for plastic films and paper

## Flat suction pads SGPN

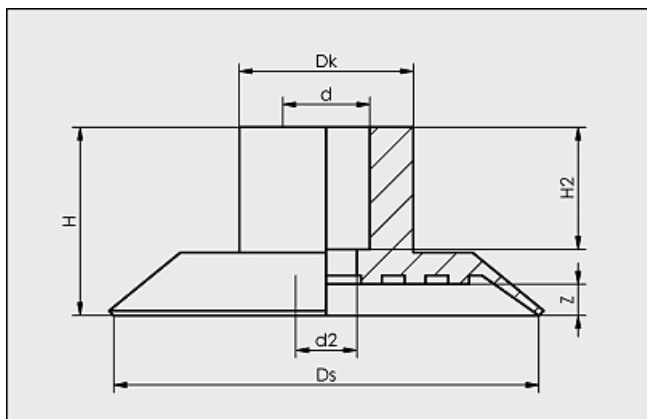


### Design data Flat suction pads SGPN

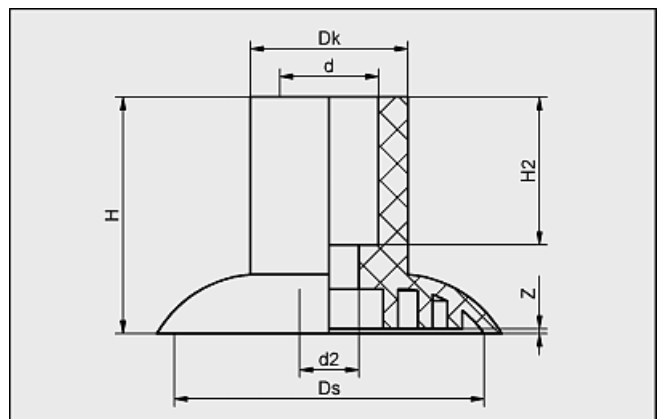
Type	Dimensions in mm*						
	dn	Ds	G1	H	LG1	SW1	Z
SGPN 15 M5-AG	2,5	15	M5-M	15,0	5,0	7	0,8
SGPN 15 G1/8-AG	3,5	15	G1/8"-M	15,8	7,5	14	0,8
SGPN 15 G1/8-IG	3,5	15	G1/8"-F	21,8	8,0	14	0,8
SGPN 20 M5-AG	2,5	20	M5-M	15,3	5,0	7	1,3
SGPN 20 G1/8-AG	3,5	20	G1/8"-M	16,3	7,5	14	1,3
SGPN 20 G1/8-IG	3,5	20	G1/8"-F	22,3	8,0	14	1,3
SGPN 24 M5-AG	2,5	25	M5-M	15,8	5,0	7	1,8
SGPN 24 G1/8-AG	3,5	25	G1/8"-M	16,8	7,5	14	1,8
SGPN 24 G1/8-IG	3,5	25	G1/8"-F	22,8	8,0	14	1,8
SGPN 30 G1/4-AG	5,5	30	G1/4"-M	28,0	10,0	17	2,3
SGPN 30 G1/4-IG	5,5	30	G1/4"-F	38,0	12,0	17	2,3
SGPN 34 G1/4-AG	5,5	35	G1/4"-M	28,0	10,0	17	2,3
SGPN 34 G1/4-IG	5,5	35	G1/4"-F	38,0	12,0	17	2,3
SGPN 35 G1/4-AG	5,5	30	G1/4"-M	29,0	10,0	17	0,5
SGPN 35 G1/4-IG	5,5	30	G1/4"-F	39,0	12,0	17	0,5
SGPN 40 G1/8-AG	5,0	40	G1/8"-M	25,0	9,0	17	2,3
SGPN 40 G1/4-AG	5,5	40	G1/4"-M	25,0	10,0	17	2,3
SGPN 40 G1/4-IG	5,5	40	G1/4"-F	35,0	12,0	17	2,3

\*Acceptable dimensional tolerances for rubber parts concerning to M3 - DIN 7715

### Design data Flat suction pads SGP



SGP 15 to 40



SGP 35

Type	Dimensions in mm*						
	d	d2	Dk	Ds	H	H2	Z
SGP 15	4,5	3,5	9,0	14,5	10,0	7,2	0,8
SGP 20	4,5	3,5	10,5	20,0	10,4	7,1	1,3
SGP 24	4,5	3,5	10,0	24,0	10,8	7,3	1,8
SGP 30	11,2	6,6	15,6	30,0	22,2	15,7	2,3
SGP 34	11,2	5,8	15,2	34,0	23,0	16,8	2,3
SGP 35	10,0	5,4	16,5	30,2	23,5	14,8	0,5
SGP 40	8,0	5,0	16,0	40,0	20,6	14,5	2,3

\*Acceptable dimensional tolerances for rubber parts concerning to M3 - DIN 7715