

Suction pads for different branches

Flat suction pads SGN 45



Special suction pads SGN 45

Our highlights...

- Long, tapered and elastic sealing lip
- Special material: Epichlor-H rubber ECO
- Special material: silicone SI

Your advantages...

- >Special suction pad for easily damaged workpieces and uneven surfaces
- >Very high resistance to chemicals
- >Very suitable for use at particularly high and low temperatures

Applications

- For use in applications which demand very good resistance to chemicals
- Handling of workpieces with uneven surfaces
- Handling of rough parquet blocks and wood strips



Construction

- Robust and hard-wearing suction pad SGN with single sealing lip, consisting of suction pad SG and connection nipple
- Nipple plugged into the suction pad
- Suction pads are delivered unassembled

Suitability for branch-specific applications

Designation code Flat suction pads SGN 45

Short designation	Diameter in mm	Material and shore hardness	Connection thread
Example: SGN	45	ECO-60	G1/4-AG
SGN...with connection nipple	45	ECO-60	G1/4-AG (AG = male)
SG...without connection nipple		SI-60	G1/4-IG (IG = female)

Ordering data Flat suction pads SGN 45

Type	Suction pad material * / hardness in Shore A	
	Epichlor ECO 60±5ShA	Silicone SI 60±5ShA
SGN 45 G1/4-AG	10.01.01.00217	10.01.01.00218
SGN 45 G1/4-IG	10.01.01.00215	10.01.01.00216

*See Section 2, "Basic Principles of Suction-Pad Materials" for further details of materials

Ordering data spare parts suction pads and suction pad nipples

Type	Epichlor ECO 60±5ShA	Silicone SI 60±5ShA	Type	Suction-pad connection nipple
SG 45	10.01.01.00219	10.01.01.00220	SGN 45 G1/4-AG	SA-NIP N031 G1/4-AG DN550 10.01.01.00327
			SGN 45 G1/4-IG	SA-NIP N031 G1/4-IG DN550 10.01.01.00328

Suction pads for different branches



Flat suction pads SGN 45

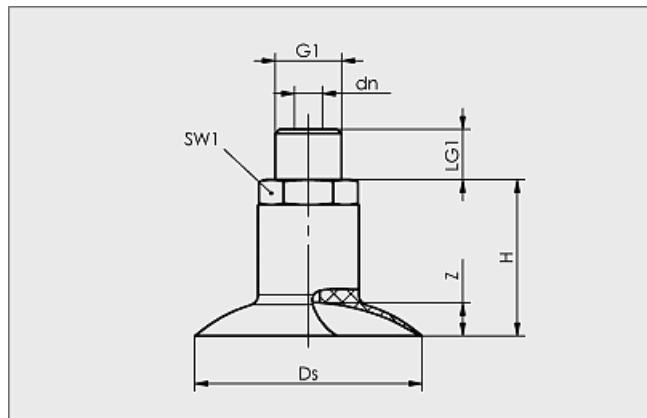
Vacuum suction pads
2

Technical data Flat suction pads SGN 45

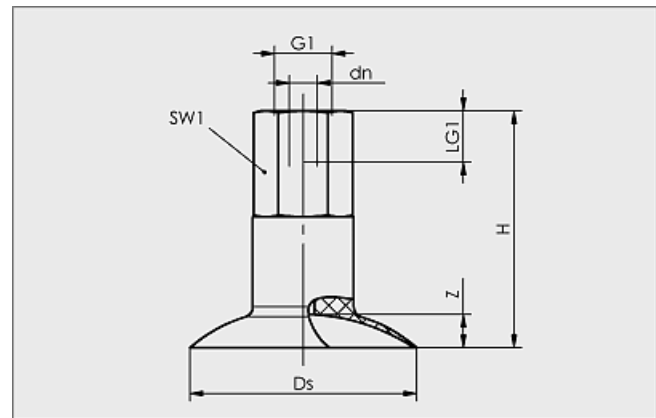
Type	Suction force [N]*	Volume [cm ³]	Min. curve radius [mm] (convex)	Recom. internal hose diameter d [mm]	Nipple family
SGN 45	50	4	50	6	N 031

*The specified suction forces are theoretical values at a vacuum of -0.6 bar and with a smooth, dry workpiece surface - they do not include a safety factor

Design data Flat suction pads SGN 45



SGN 45 AG

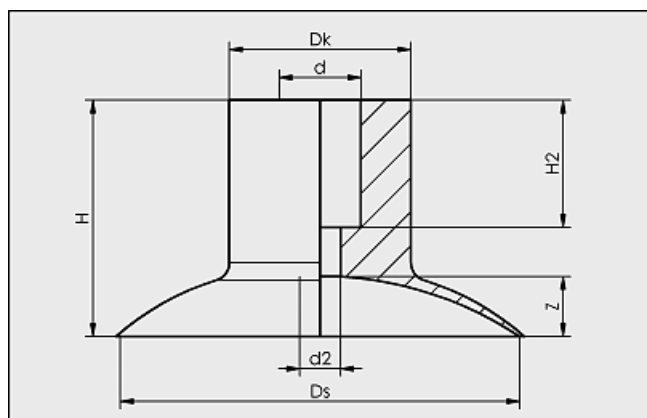


SGN 45 IG (female)

Type	Dimensions in mm*						
	dn	Ds	G1	H	LG1	SW1	Z
SGN 45 G1/4-AG	5,5	44	G1/4"-M	31	10	17	5
SGN 45 G1/4-IG	5,5	44	G1/4"-F	47	11	17	5

*Acceptable dimensional tolerances for rubber parts concerning to M3 - DIN 7715

Design data Flat suction pads SG 45



SG 45

Type	Dimensions in mm*						
	d	d2	Dk	Ds	H	H2	Z
SG 45	9	4,5	20	44	26	14	5

*Acceptable dimensional tolerances for rubber parts concerning to M3 - DIN 7715