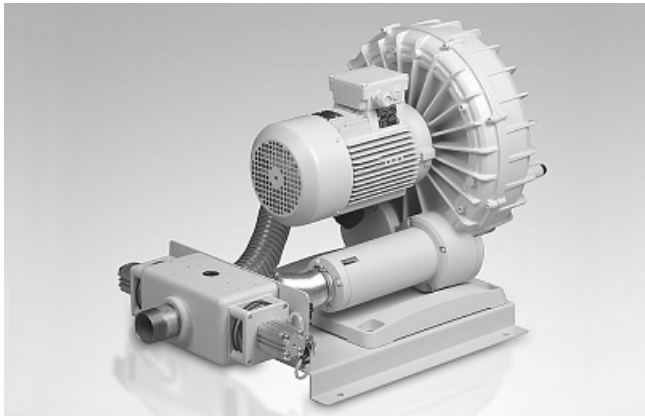


Vacuum blowers



Blower SGBL-DG with electro-pneumatic reversing



Vacuum blower with electro-pneumatic reversing

Our highlights...

- Vacuum blower with directly driven side-channel compressor
- Housing and rotor made of precise pressure-cast aluminium
- Electropneumatic reversing valve for vacuum on, blow off and neutral position (air circulation without pressure)

Your advantages...

- > Specially designed for the handling of porous materials and for gripper systems which need a high vacuum flow rate
- > Vibration-free operation and high suction capacity, free of oil and quiet-running
- > Control of the functions vacuum on, blow off and neutral position (air circulation without pressure)

Applications

- Handling of cardboard, foam materials, insulating materials, recycling materials and other extremely porous materials
- Good compensation for leakages thanks to the enormous suction capacity
- Blower is controlled (vacuum on, blowing off, neutral position) with an electropneumatic reversing valve



Construction

- Blower with very high suction capacity
- With reversing valve
- Housing and rotor made of extremely precise pressure-cast aluminium

Suitability for branch-specific applications



Designation code Blower SGBL-DG with electro-pneumatic reversing

Short designation	Blower type	Suction capacity in m ³ /h	Maximum vacuum in mbar	Rated power in kW	Additional function
Example: SGBL	DG	310	420	4	ER
SGBL	DG...directly driven	155 to 540	200 to 465	3 to 7,5	ER... with electropneumataical reversing valve



Ordering data Blower SGBL-DG with electro-pneumatic reversing

Type	Article No.
SGBL-DG 155-400-3-ER	10.04.02.00071
SGBL-DG 220-465-4-ER	10.04.02.00072
SGBL-DG 310-270-3-ER	10.04.01.00024
SGBL-DG 310-420-4-ER	10.04.02.00054
SGBL-DG 410-225-4-ER	10.04.02.00078
SGBL-DG 490-370-7.5-ER	10.04.02.00055
SGBL-DG 540-200-4-ER	10.04.01.00025

Vacuum blowers

Blower SGBL-DG with electro-pneumatic reversing



Ordering accessories data Blower SGBL-DG with electro-pneumatic reversing

Type	Motor-protection switch*	Silencer box	Filter (Overpressure safely)
SGBL-DG 155-400-3-ER	10.04.04.00122	-	10.07.01.00231
SGBL-DG 220-465-4-ER	10.04.04.00122	-	10.07.01.00231
SGBL-DG 310-270-3-ER	10.04.04.00122	-	10.07.01.00231
SGBL-DG 310-420-4-ER	10.04.04.00123	-	10.07.01.00231
SGBL-DG 410-225-4-ER	10.04.04.00123	-	10.07.01.00231
SGBL-DG 490-370-7.5-ER	10.04.04.00125	10.04.04.00061	10.07.01.00231
SGBL-DG 540-200-4-ER	10.04.04.00123	10.04.04.00061	10.07.01.00231

*For voltage 400 V / 50 Hz



Technical data Blower SGBL-DG with electro-pneumatic reversing

Type	Suction rate at 50 Hz [m³/h]	Suction rate at 60 Hz [m³/h]	Max. vacuum [mbar] permanent (> 90 s)	Max. vacuum [mbar] temporary (< 90 s)	Voltage at 50 Hz	Voltage at 60 Hz	Rated power [kW] at 50 Hz
SGBL-DG 155-400-3-ER	155	187,0	-400	-500	190-255V or 330-440V	190-290V or 330-500V	3
SGBL-DG 220-465-4-ER	220	262,0	-465	-500	190-255V or 330-440V	190-290V or 330-500V	4
SGBL-DG 310-270-3-ER	310	380,0	-270	-	200-240V or 345-415V	220-275V or 380-480V	3
SGBL-DG 310-420-4-ER	310	380,0	-420	-	345-415V or 690V	380-480V	4
SGBL-DG 410-225-4-ER	410	502,0	-225	-	190-255V or 330-440V	190-290V or 330-500V	4
SGBL-DG 490-370-7.5-ER	490	610,0	-370	-	345-415V or 690V	380-480V	8
SGBL-DG 540-200-4-ER	540	630,0	-200	-	345-415V or 690V	380-480V	4

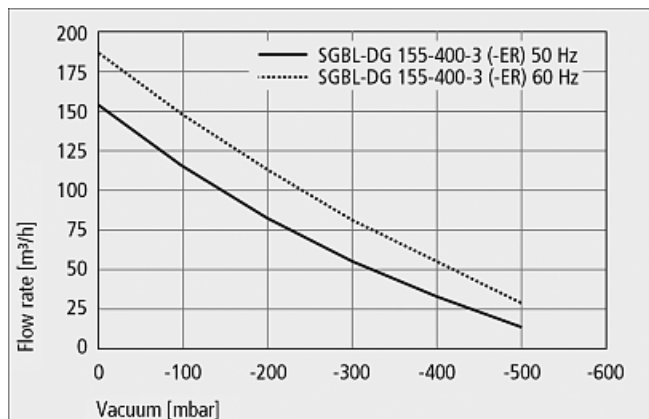
Type	Rated power [kW] at 60 Hz	Voltage reversing	Current consumption reversing [mA]	Control pressure range	Protection IP	Weight [kg]	Noise level at 50 Hz [db(A)]
SGBL-DG 155-400-3-ER	3,6	24V-DC	0,3	2,5...3 bar	IP 55	55	62
SGBL-DG 220-465-4-ER	4,8	24V-DC	0,3	2,5...3 bar	IP 55	75	68
SGBL-DG 310-270-3-ER	3,5	24V-DC	0,3	2,5...3 bar	IP 55	39	70
SGBL-DG 310-420-4-ER	4,8	24V-DC	0,3	2,5...3 bar	IP 55	67	75
SGBL-DG 410-225-4-ER	4,6	24V-DC	0,3	2,5...3 bar	IP 55	62	68
SGBL-DG 490-370-7.5-ER	8,6	24V-DC	0,3	2,5...3 bar	IP 55	174	75
SGBL-DG 540-200-4-ER	4,6	24V-DC	0,3	2,5...3 bar	IP 55	117	71

Vacuum blowers

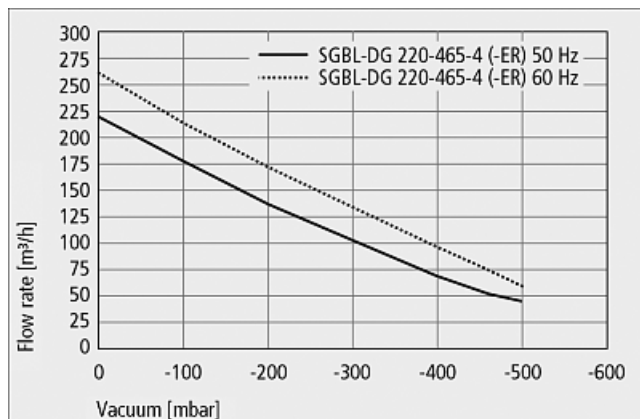
Blower SGBL-DG with electro-pneumatic reversing



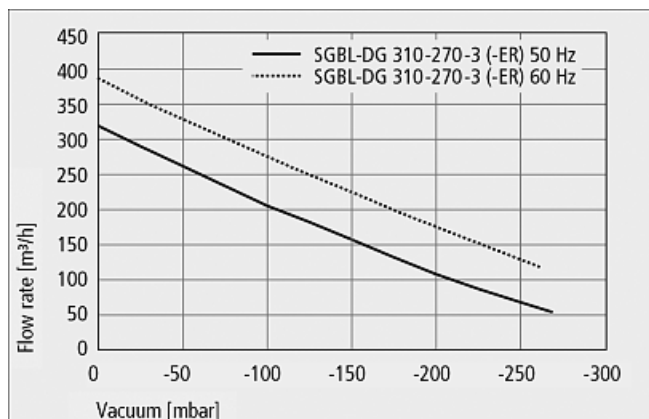
Performance data Blower SGBL-DG with electro-pneumatic reversing



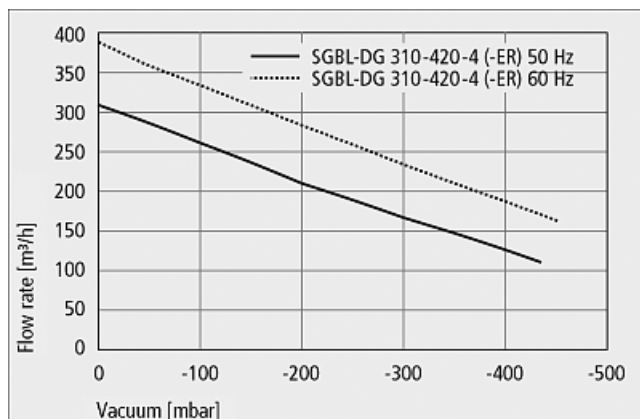
Suction capacity at various degrees of evacuation



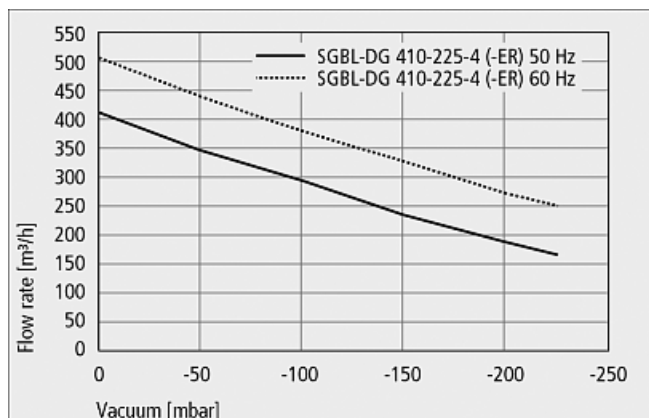
Suction capacity at various degrees of evacuation



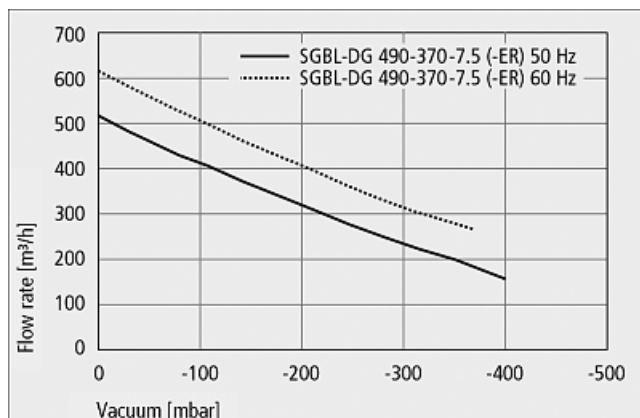
Suction capacity at various degrees of evacuation



Suction capacity at various degrees of evacuation



Suction capacity at various degrees of evacuation



Suction capacity at various degrees of evacuation

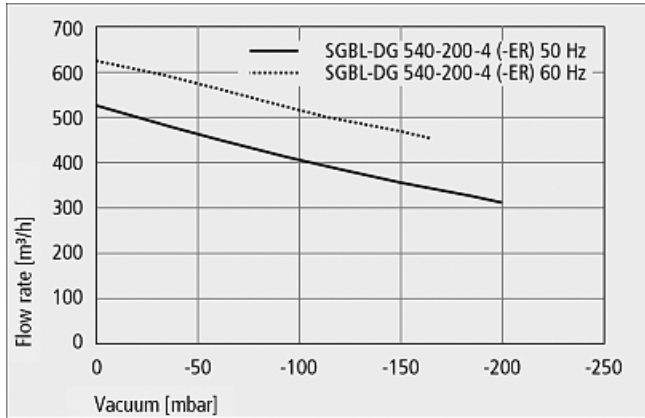
Vacuum blowers



Blower SGBL-DG with electro-pneumatic reversing



Performance data Blower SGBL-DG with electro-pneumatic reversing



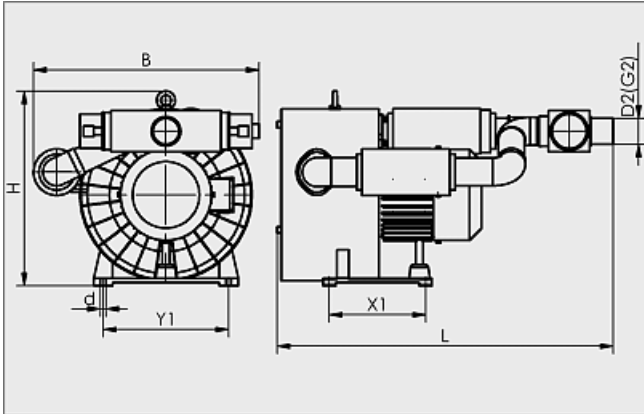
Suction capacity at various degrees of evacuation

Vacuum blowers

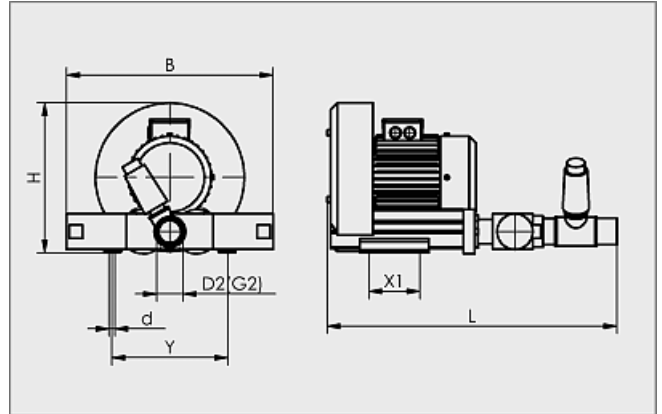
Blower SGBL-DG with electro-pneumatic reversing



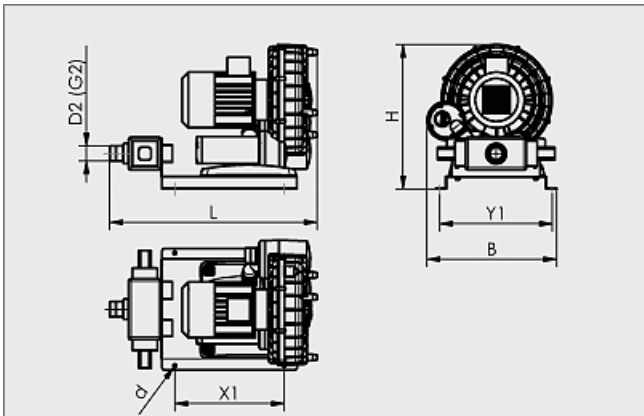
Design data Blower SGBL-DG with electro-pneumatic reversing



SGBL-DG 490-370-7.5-ER



SGBL-DG 310-270-3-ER; SGBL-DG 310-420-4-ER; SGBL-DG 540-200-4-ER



SGBL-DG 155-400-3-ER; SGBL-DG 220-465-4-ER; SGBL-DG 410-225-4-ER

Type	Dimensions in mm							
	B	d	D2	G2	H	L	X1	Y1
SGBL-DG 155-400-3-ER	520	13	60	G2-M	500	790	435	446
SGBL-DG 220-465-4-ER	520	13	60	G2-M	580	830	435	446
SGBL-DG 310-270-3-ER	463	15	60	G2-M	398	680	140	290
SGBL-DG 310-420-4-ER	612	15	60	G2-M	420	859	140	290
SGBL-DG 410-225-4-ER	496	12	60	G2"-M	522	520	310	310
SGBL-DG 490-370-7.5-ER	656	15	76	G2-1/2-M	567	978	280	365
SGBL-DG 540-200-4-ER	500	15	76	G2-1/2-M	566	880	280	365