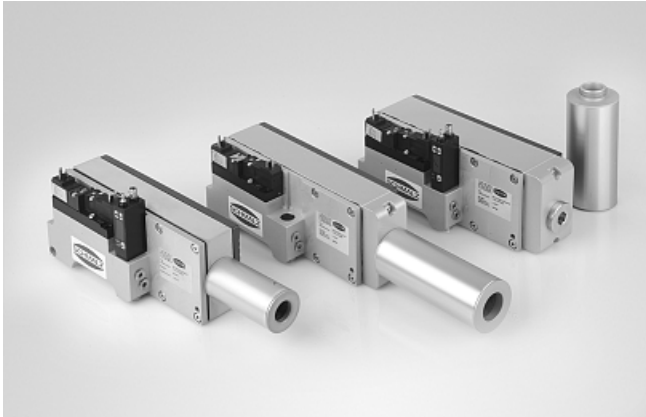


Multi-stage ejectors

Multi-stage ejectors SEM-C with additional functions



Multi-stage ejector SEM-C

Our highlights...

- Ejector family with a very high suction capacity
- Multi-stage ejector nozzle with high efficiency
- Integrated control valves and vacuum switch
- Optional automatic air-saving function

Your advantages...

- >Fast and safe handling of all porous materials
- >Fast evacuation in the lower vacuum range, cost reductions and shorter cycle times
- >Compact unit for space-saving installation
- >Lower energy consumption when handling air-tight parts



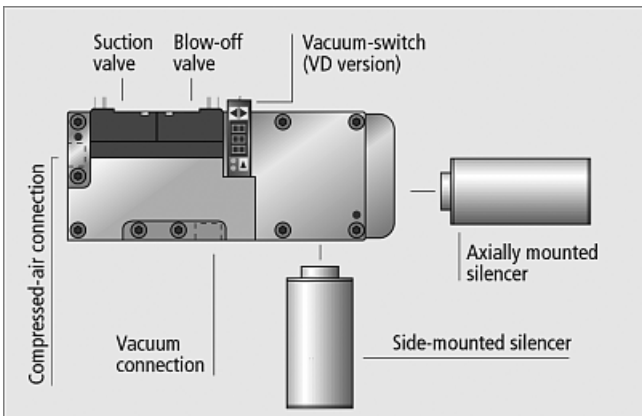
Vacuum cross-beam with vacuum generation by means of a regulated multi-stage ejector SEM-C for handling of chipboard sheets

Applications

- Handling of cardboard boxes, packaging and insulating materials and other porous materials

Construction

- Aluminium nozzle system
- Gaskets and valve flaps made of NBR
- Silencer can be mounted axially or on the side
- Functional mounting plate with suction valve (NO or NC) and blow-off valve (NC)
- Optional vacuum switch



System design multi-stage ejector SEM-C



Suitability for branch-specific applications

Multi-stage ejectors

Multi-stage ejectors SEM-C with additional functions



Designation code Multi-stage ejectors SEM-C with additional functions

Short designation	Overall height	Version	Idle state of suction valve	Blow-off and safety valve	System monitoring
Example: SEM-C	25	SD	NO	AS	VD
SEM-C	25 50 100	SD...silencer	NO...normally open NC...normally closed	AS...blow-off valve and safety non-return valve	-...without vacuum switch VD...digital vacuum switch

Ordering data Multi-stage ejectors SEM-C with additional functions

Type	Article No.
SEM-C 25 SD NO AS	10.02.02.03204
SEM-C 25 SD NC AS	10.02.02.03203
SEM-C 25 SD NO AS VD	10.02.02.03206
SEM-C 25 SD NC AS VD	10.02.02.03205
SEM-C 50 SD NO AS	10.02.02.02966
SEM-C 50 SD NC AS	10.02.02.03207
SEM-C 50 SD NO AS VD	10.02.02.03057
SEM-C 50 SD NC AS VD	10.02.02.03208
SEM-C 100 SD NO AS	10.02.02.03209
SEM-C 100 SD NC AS	10.02.02.03215
SEM-C 100 SD NO AS VD	10.02.02.03211
SEM-C 100 SD NC AS VD	10.02.02.03210

Ordering data spare parts Multi-stage ejectors SEM-C with additional functions

Type	Silencer*
SEM-C 25 SD NO AS	10.02.01.00309
SEM-C 25 SD NC AS	10.02.01.00309
SEM-C 25 SD NO AS VD	10.02.01.00309
SEM-C 25 SD NC AS VD	10.02.01.00309
SEM-C 50 SD NO AS	10.02.01.00312
SEM-C 50 SD NC AS	10.02.01.00312
SEM-C 50 SD NO AS VD	10.02.01.00312
SEM-C 50 SD NC AS VD	10.02.01.00312
SEM-C 100 SD NO AS	10.02.01.00312
SEM-C 100 SD NC AS	10.02.01.00312
SEM-C 100 SD NO AS VD	10.02.01.00312
SEM-C 100 SD NC AS VD	10.02.01.00312

*The silencers can be mounted axially or on the side, as desired

Multi-stage ejectors

Multi-stage ejectors SEM-C with additional functions



Ordering data accessories Multi-stage ejectors SEM-C with additional functions

Type	Connection plug for solenoid valves* with cable (3 m, PVC)	Distributor for air control**	Connection cable for vacuum switch (5 m, straight, PUR)	Connection cable for vacuum switch (5 m, 90°, PUR)
SEM-C 25 SD NO AS	21.04.06.00084	-	-	-
SEM-C 25 SD NC AS	21.04.06.00084	-	-	-
SEM-C 25 SD NO AS VD	21.04.06.00084	10.02.02.01291	10.06.02.00031	10.06.02.00032
SEM-C 25 SD NC AS VD	21.04.06.00084	10.02.02.01287	10.06.02.00031	10.06.02.00032
SEM-C 50 SD NO AS	21.04.06.00084	-	-	-
SEM-C 50 SD NC AS	21.04.06.00084	-	-	-
SEM-C 50 SD NO AS VD	21.04.06.00084	10.02.02.01291	10.06.02.00031	10.06.02.00032
SEM-C 50 SD NC AS VD	21.04.06.00084	10.02.02.01287	10.06.02.00031	10.06.02.00032
SEM-C 100 SD NO AS	21.04.06.00084	-	-	-
SEM-C 100 SD NC AS	21.04.06.00084	-	-	-
SEM-C 100 SD NO AS VD	21.04.06.00084	10.02.02.01291	10.06.02.00031	10.06.02.00032
SEM-C 100 SD NC AS VD	21.04.06.00084	10.02.02.01287	10.06.02.00031	10.06.02.00032

*Order 2 x per ejector.

**Required for the automatic air-saving function; must be ordered separately as an accessory. No further cables then required!



Technical data Multi-stage ejectors SEM-C with additional functions

Type	Degree of evacuation [%]	Max. suction rate [l/min]	Max. suction rate [m³/h]	Air consumpt. during evac. [l/min]*	Air consumpt. during evac. [m³/h]*	Noise level free [db(A)]
SEM-C 25 SD NO AS	87	338	20,2	100	6,0	80
SEM-C 25 SD NC AS	87	338	20,2	100	6,0	80
SEM-C 25 SD NO AS VD	87	338	20,2	100	6,0	80
SEM-C 25 SD NC AS VD	87	338	20,2	100	6,0	80
SEM-C 50 SD NO AS	86	554	33,2	190	11,4	84
SEM-C 50 SD NC AS	86	554	33,2	190	11,4	84
SEM-C 50 SD NO AS VD	86	554	33,2	190	11,4	84
SEM-C 50 SD NC AS VD	86	554	33,2	190	11,4	84
SEM-C 100 SD NO AS	81	673	40,3	246	14,8	83
SEM-C 100 SD NC AS	81	673	40,3	246	14,8	83
SEM-C 100 SD NO AS VD	81	673	40,3	246	14,8	83
SEM-C 100 SD NC AS VD	81	673	40,3	246	14,8	83

*At optimal operating pressure

**For max. length 2 m

Type	Noise level workp. gripped [db(A)]	Operating pressure [bar]	Recomm. int. hose diameter compr. air [mm]**	Recomm. int. hose diameter vacuum [mm]**	Weight [kg]	Operating temperature [°C]
SEM-C 25 SD NO AS	70	5	4	20	-1.64	0...50
SEM-C 25 SD NC AS	70	5	4	20	-1.64	0...50
SEM-C 25 SD NO AS VD	70	5	4	20	-1.67	0...50
SEM-C 25 SD NC AS VD	70	5	4	20	-1.67	0...50
SEM-C 50 SD NO AS	60	5	6	25	-1.92	0...50
SEM-C 50 SD NC AS	60	5	6	25	-1.92	0...50
SEM-C 50 SD NO AS VD	60	5	6	25	-1.95	0...50
SEM-C 50 SD NC AS VD	60	5	6	25	-1.95	0...50
SEM-C 100 SD NO AS	63	5	6	32	-2.16	0...50
SEM-C 100 SD NC AS	63	5	6	32	-2.16	0...50
SEM-C 100 SD NO AS VD	63	5	6	32	-2.19	0...50
SEM-C 100 SD NC AS VD	63	5	6	32	-2.19	0...50

*At optimal operating pressure

**For max. length 2 m

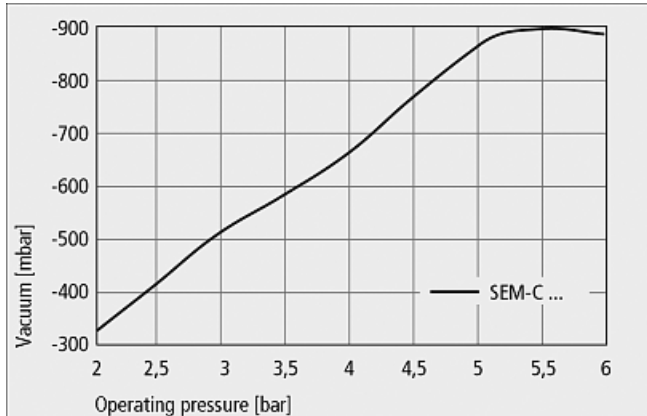
Vacuum generators
5

Multi-stage ejectors

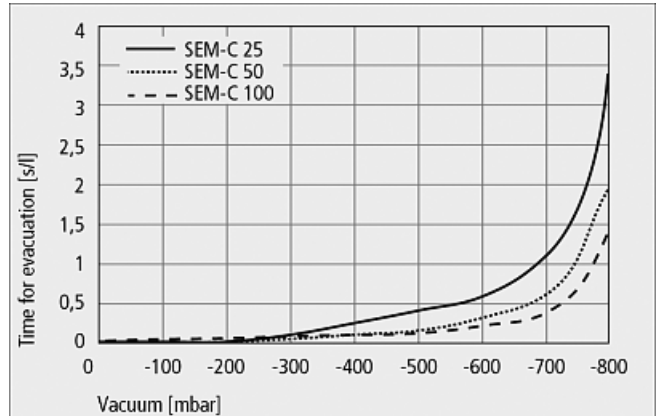
Multi-stage ejectors SEM-C with additional functions



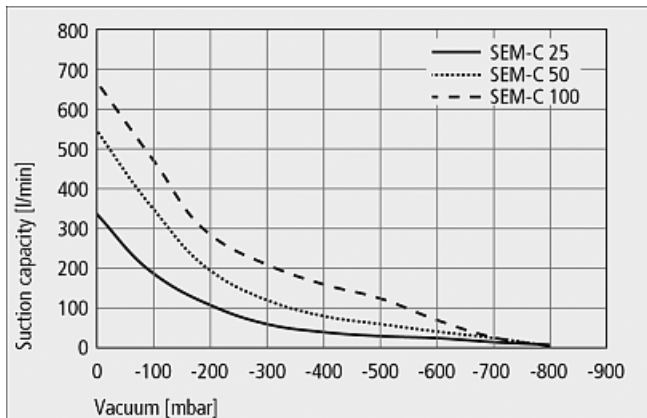
Performance data Multi-stage ejectors SEM-C with additional functions



Achievable vacuum at various operating pressures



Evacuation times for various vacuum ranges



Suction capacity at various degrees of evacuation

Suction capacity in l/min at various degrees of evacuation

Type	Degree of evacuation in mbar									
	0	-50	-100	-200	-300	-400	-500	-600	-700	-800
SEM-C 25 SD	338	263	199	104	66	47	34	24	16	11
SEM-C 50 SD	554	460	349	195	123	87	63	41	21	8
SEM-C 100 SD	673	580	471	289	205	164	127	75	20	7

Evacuation time in s/l for various vacuum ranges

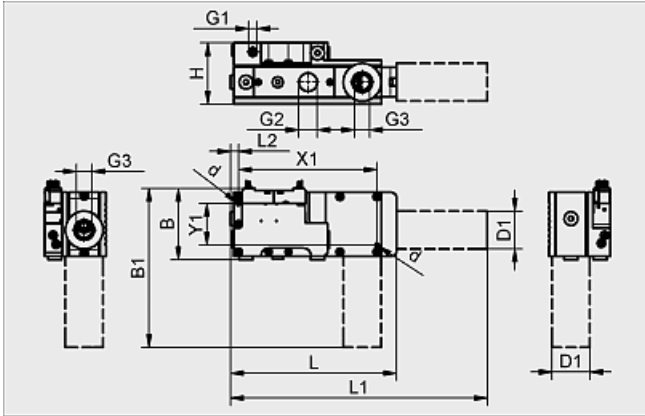
Type	Degree of evacuation in mbar									
	-50	-100	-200	-300	-400	-500	-600	-700	-800	
SEM-C 25 SD	0.03	0.06	0.08	0.13	0.26	0.42	0.66	1.18	3.44	
SEM-C 50 SD	0.02	0.05	0.06	0.09	0.13	0.19	0.32	0.64	1.93	
SEM-C 100 SD	0.03	0.05	0.06	0.08	0.13	0.17	0.23	0.4	1.34	

Multi-stage ejectors

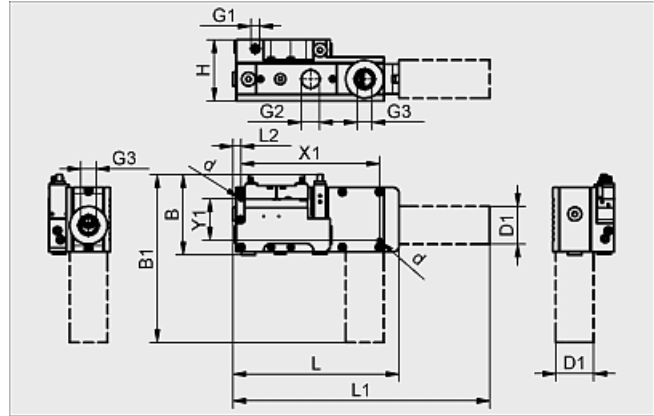


Multi-stage ejectors SEM-C with additional functions

Design data Multi-stage ejectors SEM-C with additional functions



SEM-C 25 to 100 SD NO/NC AS



SEM-C 25 to 100 SD NO/NC AS VD

Type	Dimensions in mm													
	B	B1	d	D1	G1	G2	G3	H	L	L1	L2	X1	Y1	
SEM-C 25 SD NO AS	95	170	5,5	40	G1/4"-F	G1/2"-F	G1/2"-F	70	200	280	11	183	55	
SEM-C 25 SD NC AS	95	170	5,5	40	G1/4"-F	G1/2"-F	G1/2"-F	70	200	280	11	183	55	
SEM-C 25 SD NO AS VD	117	192	5,5	40	G1/4"-F	G1/2"-F	G1/2"-F	70	200	280	11	183	55	
SEM-C 25 SD NC AS VD	117	192	5,5	40	G1/4"-F	G1/2"-F	G1/2"-F	70	200	280	11	183	55	
SEM-C 50 SD NO AS	95	210	5,5	50	G1/4"-F	G3/4"-F	G3/4"-F	80	220	340	11	183	55	
SEM-C 50 SD NC AS	95	210	5,5	50	G1/4"-F	G3/4"-F	G3/4"-F	80	220	340	11	183	55	
SEM-C 50 SD NO AS VD	85	117	5,5	50	G1/4"-F	G3/4"-F	G3/4"-F	80	220	340	11	183	55	
SEM-C 50 SD NC AS VD	117	232	5,5	50	G1/4"-F	G3/4"-F	G3/4"-F	80	220	340	11	183	55	
SEM-C 100 SD NO AS	95	210	5,5	50	G1/4"-F	G1"-F	G3/4"-F	90	220	340	11	183	55	
SEM-C 100 SD NC AS	95	210	5,5	50	G1/4"-F	G1"-F	G3/4"-F	90	220	340	11	183	55	
SEM-C 100 SD NO AS VD	117	232	5,5	50	G1/4"-F	G1"-F	G3/4"-F	90	220	340	11	183	55	
SEM-C 100 SD NC AS VD	117	232	5,5	50	G1/4"-F	G1"-F	G3/4"-F	90	220	340	11	183	55	