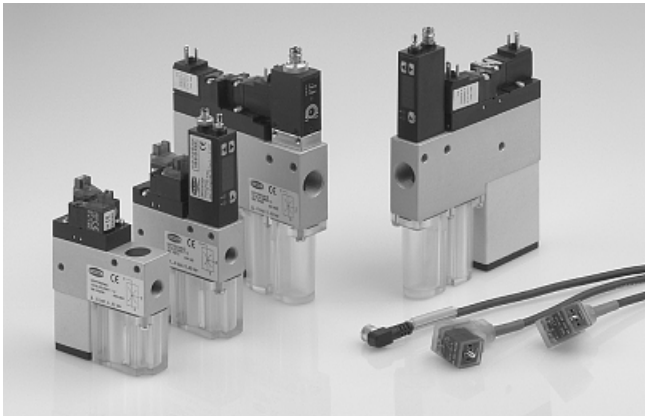


Compact ejectors

Compact ejectors SCP



Compact ejectors SCP

Our highlights...

- Wide range of nozzle diameters from 1.0 to 3.0 mm
- Versatile modular system
- Air-saving function (optional)
- Digital vacuum monitoring (optional)

Your advantages...

- > Optimized air consumption thanks to many models with differing suction capacities
- > Flexible adaptation to customer requirements
- > Minimum energy costs in continuous operation
- > Easy adjustment with foil keypad and LED display of the settings possible



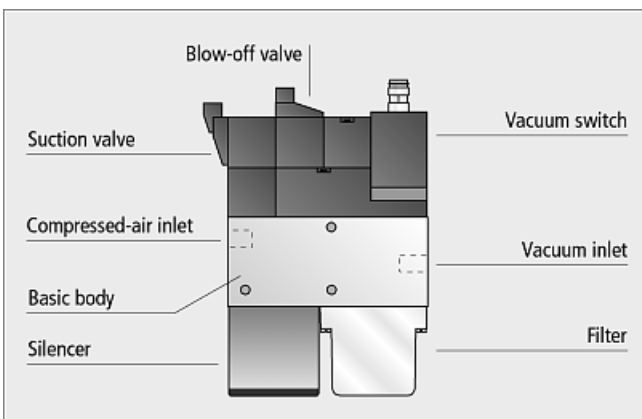
Vacuum generator on a vacuum spider for handling metal sheets

Applications

- Handling of airtight or porous workpieces in the electronics, electrical engineering, packing, robotics and automobile industries

Construction

- Anodized aluminum body
- Suction valve optionally as a normally open (NO) or normally closed (NC) valve
- Blow-off valve (NC), filter, silencer and non-return valve all integrated
- Options: electronic vacuum switch, integrated air-saving function, mounting plate for block installation
- Compact ejectors with air-saving function, including cables



System design compact ejector SCP



Suitability for branch-specific applications

Compact ejectors

Compact ejectors SCP



Designation code Compact ejectors SCP

Short designation	Nozzle size in mm*10	Idle position, suction valve	Blow-off and safety valve	System monitoring
Example: SCP	15	NO	AS	RD
SCP	10...1.0 mm 15...1.5 mm 20...2.0 mm 25...2.5 mm 30...3.0 mm	NO... normally open NC... normally closed	AS... blow-off valve and safety non-return valve	-..... without vacuum switch VE... electronic vacuum switch VD... digital vacuum switch RE... automatic air-saving with electronic vacuum switch RD... automatic air-saving with digital vacuum switch

Ordering data Compact ejectors SCP

SCP 10...		SCP 15...		SCP 20...	
Type	Article No.	Type	Article No.	Type	Article No.
SCP 10 NO AS	10.02.02.00601	SCP 15 NO AS	10.02.02.00611	SCP 20 NO AS	10.02.02.00621
SCP 10 NC AS	10.02.02.00602	SCP 15 NC AS	10.02.02.00612	SCP 20 NC AS	10.02.02.00622
SCP 10 NO AS VE	10.02.02.00605	SCP 15 NO AS VE	10.02.02.00615	SCP 20 NO AS VE	10.02.02.00625
SCP 10 NC AS VE	10.02.02.00606	SCP 15 NC AS VE	10.02.02.00616	SCP 20 NC AS VE	10.02.02.00626
SCP 10 NO AS VD	10.02.02.00607	SCP 15 NO AS VD	10.02.02.00617	SCP 20 NO AS VD	10.02.02.00627
SCP 10 NC AS VD	10.02.02.00608	SCP 15 NC AS VD	10.02.02.00618	SCP 20 NC AS VD	10.02.02.00628
SCP 10 NO AS RE	10.02.02.00609	SCP 15 NO AS RE	10.02.02.00619	SCP 20 NO AS RE	10.02.02.00629
SCP 10 NO AS RD	10.02.02.00610	SCP 15 NO AS RD	10.02.02.00620	SCP 20 NO AS RD	10.02.02.00630
SCP 10 NC AS RE	10.02.02.00780	SCP 15 NC AS RE	10.02.02.00782	SCP 20 NC AS RE	10.02.02.00784
SCP 10 NC AS RD	10.02.02.00781	SCP 15 NC AS RD	10.02.02.00783	SCP 20 NC AS RD	10.02.02.00785

SCP 25...		SCP 30...	
Type	Article No.	Type	Article No.
SCP 25 NO AS	10.02.02.00631	SCP 30 NO AS	10.02.02.00641
SCP 25 NC AS	10.02.02.00632	SCP 30 NC AS	10.02.02.00642
SCP 25 NO AS VE	10.02.02.00635	SCP 30 NO AS VE	10.02.02.00645
SCP 25 NC AS VE	10.02.02.00636	SCP 30 NC AS VE	10.02.02.00646
SCP 25 NO AS VD	10.02.02.00637	SCP 30 NO AS VD	10.02.02.00647
SCP 25 NC AS VD	10.02.02.00638	SCP 30 NC AS VD	10.02.02.00648
SCP 25 NO AS RE	10.02.02.00639	SCP 30 NO AS RE	10.02.02.00649
SCP 25 NO AS RD	10.02.02.00640	SCP 30 NO AS RD	10.02.02.00650
SCP 25 NC AS RE	10.02.02.00786	SCP 30 NC AS RE	10.02.02.00788
SCP 25 NC AS RD	10.02.02.00787	SCP 30 NC AS RD	10.02.02.00789

Ordering data spare parts and accessories Compact ejectors SCP

Type	Connection plug for solenoid valves* with cable (3 m, PVC)	Connection cable for vacuum switch (5 m, straight, PUR)	Connection cable for vacuum switch (5 m, 90°, PUR)	Replacement silencer	Replacement filter element
SCP 10 NO/NC AS	21.04.06.00086	-	-	10.02.02.00653	10.02.02.00655
SCP 10 NO/NC AS V...	21.04.06.00086	10.06.02.00031	10.06.02.00032	10.02.02.00653	10.02.02.00655
SCP 10 NO/NC AS R...	-	-	-	10.02.02.00653	10.02.02.00655
SCP 15 NO/NC AS	21.04.06.00086	-	-	10.02.02.00653	10.02.02.00655
SCP 15 NO/NC AS V...	21.04.06.00086	10.06.02.00031	10.06.02.00032	10.02.02.00653	10.02.02.00655
SCP 15 NO/NC AS R...	-	-	-	10.02.02.00653	10.02.02.00655

*Order 2 x per ejector. In the case of regulated compact ejectors, the cable set is included with the ejector

Compact ejectors

Compact ejectors SCP



Ordering data spare parts and accessories Compact ejectors SCP

Type	Connection plug for solenoid valves* with cable (5 m, PVC)	Connection plug for solenoid valves* with cable (10 m, PUR)	Connection plug for solenoid valves* without cable	Connection cable for vacuum switch (5 m, straight, PUR)	Connection cable for vacuum switch (5 m, 90°, PUR)	Replacement silencer	Replacement filter element
SCP 20 NO/NC AS	21.04.06.00084	21.04.06.00118	21.04.06.00085	-	-	10.02.02.00651	10.02.02.00654
SCP 20 NO/NC AS V...	21.04.06.00084	21.04.06.00118	21.04.06.00085	10.06.02.00031	10.06.02.00032	10.02.02.00651	10.02.02.00654
SCP 20 NO/NC AS R...	-	-	-	-	-	10.02.02.00651	10.02.02.00654
SCP 25 NO/NC AS	21.04.06.00084	21.04.06.00118	21.04.06.00085	-	-	10.02.02.00652	10.02.02.00654
SCP 25 NO/NC AS V...	21.04.06.00084	21.04.06.00118	21.04.06.00085	10.06.02.00031	10.06.02.00032	10.02.02.00652	10.02.02.00654
SCP 25 NO/NC AS R...	-	-	-	-	-	10.02.02.00652	10.02.02.00654
SCP 30 NO/NC AS	21.04.06.00084	21.04.06.00118	21.04.06.00085	-	-	10.02.02.00652	10.02.02.00654
SCP 30 NO/NC AS V...	21.04.06.00084	21.04.06.00118	21.04.06.00085	10.06.02.00031	10.06.02.00032	10.02.02.00652	10.02.02.00654
SCP 30 NO/NC AS R...	-	-	-	-	-	10.02.02.00652	10.02.02.00654

*Order 2 x per ejector. In the case of regulated compact ejectors, the cable set is included with the ejector



Technical data Compact ejectors SCP

Type	Nozzle-Ø [mm]	Degree of evacuation [%]	Max. suction rate [l/min]	Max. suction rate [m³/h]	Air consumpt. during evac. [l/min]*	Air consumpt. during evac. [m³/h]*	Air consumption blow off [l/min]
SCP 10...	1,0	85	37	2,2	53	3,2	200
SCP 15...	1,5	85	65	3,9	117	7,0	200
SCP 20...	2,0	85	116	7,0	190	11,4	200
SCP 25...	2,5	85	161	9,7	310	18,6	200
SCP 30...	3,0	85	200	12,0	420	25,2	200

!The supply voltage for vacuum switches and solenoid valves is 24V DC

*At optimal operating pressure

**For max. length 2 m

Type	Noise level workp. gripped [db(A)]	Noise level free [db(A)]	Operating pressure [bar]	Recomm. int. hose diameter compr. air [mm]**	Recomm. int. hose diameter vacuum [mm]**	Weight [g]	Operating temperature [°C]
SCP 10...	66	68	5	2	4	275	0...45
SCP 15...	68	68	5	4	6	275	0...45
SCP 20...	76	78	5...6	4	9	465	0...45
SCP 25...	72	82	5...6	6	9	485	0...45
SCP 30...	82	82	5...6	6	12	485	0...45

!The supply voltage for vacuum switches and solenoid valves is 24V DC

*At optimal operating pressure

**For max. length 2 m

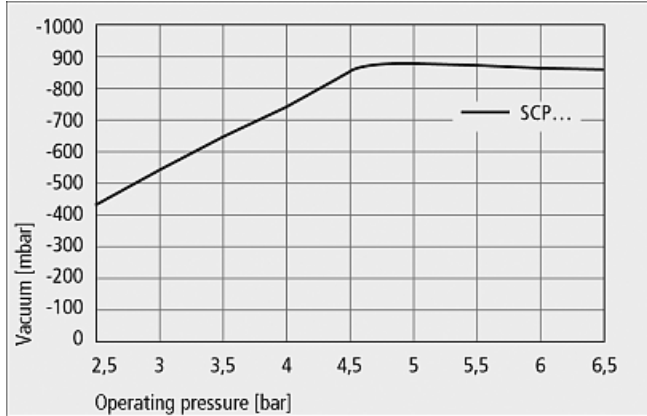
Vacuum generators
5

Compact ejectors

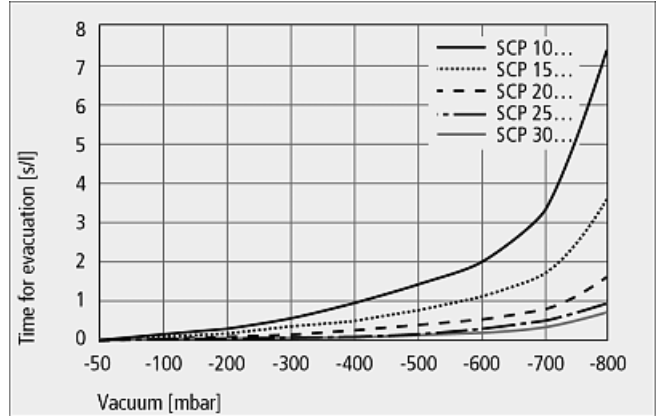
Compact ejectors SCP



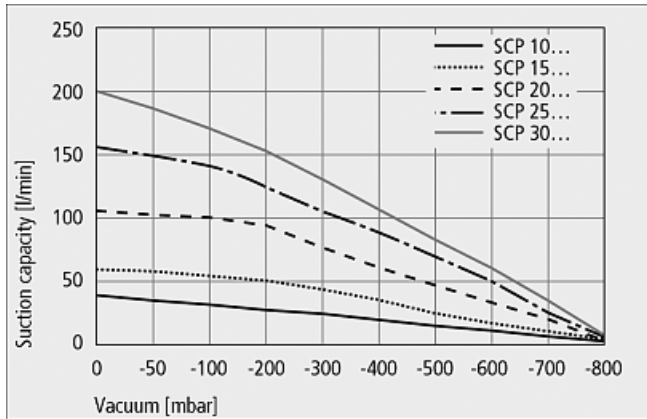
Performance data Compact ejectors SCP



Achievable vacuum at various operating pressures



Evacuation times for various vacuum ranges



Suction capacity at various degrees of evacuation

Suction capacity in l/min at various degrees of evacuation

Type	Degree of evacuation in mbar									
	0	-50	-100	-200	-300	-400	-500	-600	-700	-800
SCP 10...	37	35.4	33.2	28.8	24	19.4	16	11.2	6	1.4
SCP 15...	65	62	58	50	41	32	21	16	9	4
SCP 20...	116	108	101	90	78	63	48	36	18	5
SCP 25...	161	149	136	123	107	86	66	49	25	7
SCP 30...	200	184	168	153	132	107	82	61	31	9

Evacuation time in s/l for various vacuum ranges

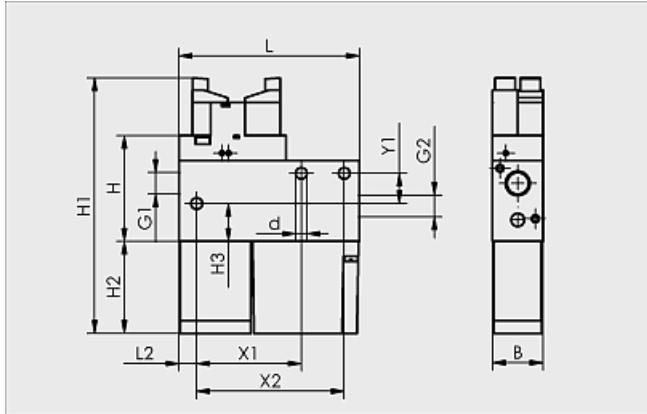
Type	Degree of evacuation in mbar									
	-50	-100	-200	-300	-400	-500	-600	-700	-800	
SCP 10...	0.087	0.162	0.341	0.591	0.959	1.419	2.035	3.304	7.300	
SCP 15...	0.048	0.088	0.184	0.311	0.480	0.744	1.120	1.692	3.606	
SCP 20...	0.026	0.047	0.095	0.159	0.239	0.349	0.499	0.807	1.652	
SCP 25...	0.015	0.027	0.055	0.089	0.135	0.198	0.288	0.486	0.960	
SCP 30...	0.012	0.021	0.044	0.071	0.108	0.160	0.232	0.392	0.810	

Compact ejectors

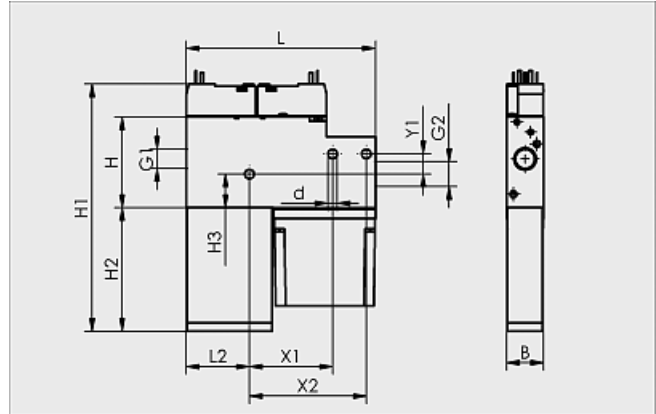
Compact ejectors SCP



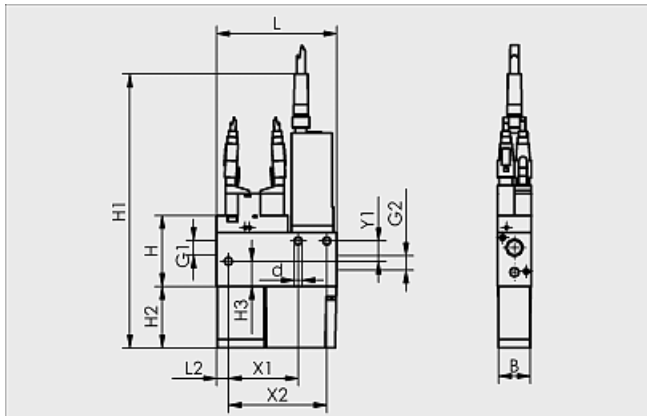
Design data Compact ejectors SCP



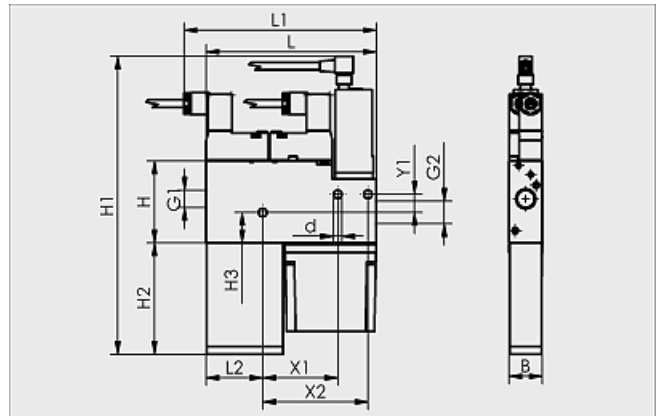
SCP 10 to 15 NC/NO AS



SCP 20 to 30 NC/NO AS



SCP 10 to 15 NC/NO AS V.../R...



SCP 20 to 30 NC/NO AS V.../R...

Vacuum generators
5



Design data Compact ejectors SCP

Type	Dimensions in mm													
	B	d	G1	G2	H	H1	H2	H3	L	L1	L2	X1	X2	Y1
SCP 10 NC/NO AS	20,2	4,5	G1/8-F	G1/8-F	42,2	105,0	36,5	15,0	71,5	-	7,0	41,5	58,5	12
SCP 15 NC/NO AS	20,2	4,5	G1/8-F	G1/8-F	42,2	105,0	36,5	15,0	71,5	-	7,0	41,5	58,5	12
SCP 20 NC/NO AS	22,0	5,5	G1/4-F	G3/8-F	54,0	132,5	58,5	20,1	112,5	-	37,5	49,5	69,5	12
SCP 25 NC/NO AS	22,0	5,5	G1/4-F	G3/8-F	54,0	147,5	73,5	20,1	112,5	-	37,5	49,5	69,5	12
SCP 30 NC/NO AS	22,0	5,5	G1/4-F	G3/8-F	54,0	147,5	73,5	20,1	112,5	-	37,5	49,5	69,5	12
SCP 10 NC/NO AS VE/RE	20,2	4,5	G1/8-F	G1/8-F	42,2	147,5	36,5	15,0	71,5	-	7,0	41,5	58,5	12
SCP 15 NC/NO AS VE/RE	20,2	4,5	G1/8-F	G1/8-F	42,2	147,5	36,5	15,0	71,5	-	7,0	41,5	58,5	12
SCP 20 NC/NO AS VE/RE	22,0	5,5	G1/4-F	G3/8-F	54,0	167,0	58,5	20,1	112,5	127	37,5	49,5	69,5	12
SCP 25 NC/NO AS VE/RE	22,0	5,5	G1/4-F	G3/8-F	54,0	182,0	73,5	20,1	112,5	127	37,5	49,5	69,5	12
SCP 30 NC/NO AS VE/RE	22,0	5,5	G1/4-F	G3/8-F	54,0	182,0	73,5	20,1	112,5	127	37,5	49,5	69,5	12
SCP 10 NC/NO AS VD/RD	20,2	4,5	G1/8-F	G1/8-F	42,2	162,0	36,5	15,0	71,5	-	7,0	41,5	58,5	12
SCP 15 NC/NO AS VD/RD	20,2	4,5	G1/8-F	G1/8-F	42,2	162,0	36,5	15,0	71,5	-	7,0	41,5	58,5	12
SCP 20 NC/NO AS VD/RD	22,0	5,5	G1/4-F	G3/8-F	54,0	181,5	58,5	20,1	112,5	127	37,5	49,5	69,5	12
SCP 25 NC/NO AS VD/RD	22,0	5,5	G1/4-F	G3/8-F	54,0	196,5	73,5	20,1	112,5	127	37,5	49,5	69,5	12
SCP 30 NC/NO AS VD/RD	22,0	5,5	G1/4-F	G3/8-F	54,0	196,5	73,5	20,1	112,5	127	37,5	49,5	69,5	12