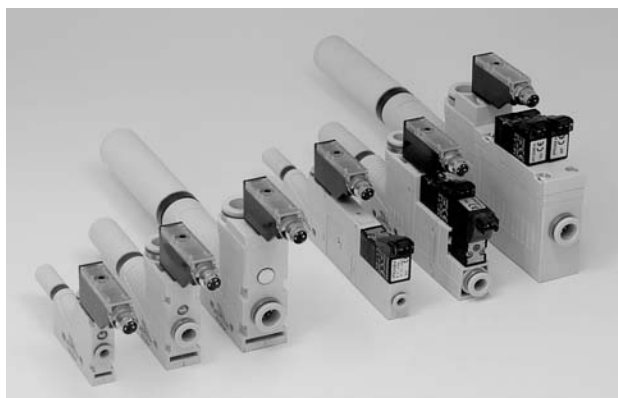


Basic ejectors SBP-C with additional functions



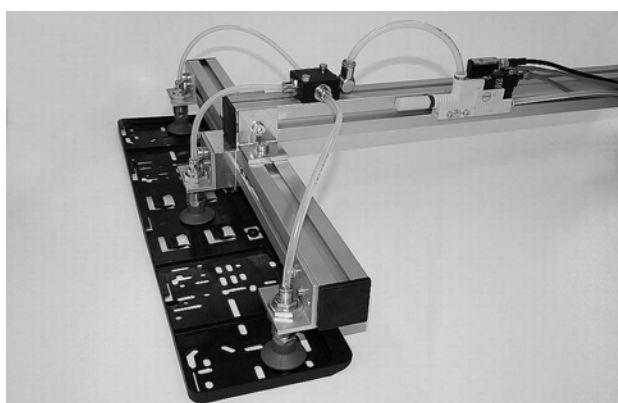
Basic ejectors SBP-C

Our highlights...

- Weight-optimized plastic housing
- Ejector nozzles with six different power ratings
- Connections either with threaded holes or push-in couplings
- Integrated valve technology and vacuum monitoring

Your advantages...

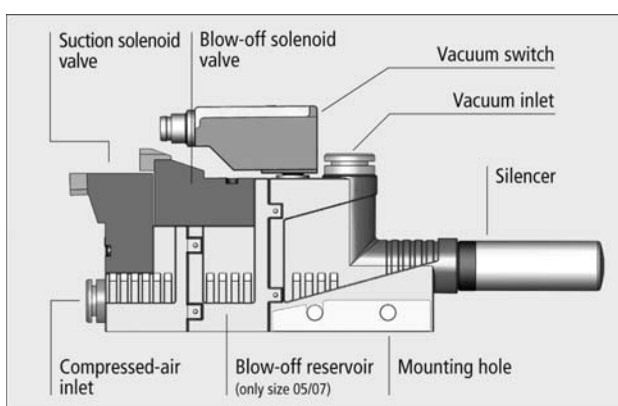
- > Ideal for decentralized vacuum generation in highly dynamic processes
- > Various power ratings for optimized air consumption
- > Space-saving and easy to install
- > The complete solution for optimized cycle times



Handling of plastic parts

Applications

- Use in feeder systems with very high dynamic
- Handling of all kind of airtight components
- For use in separating systems where space is restricted
- Construction of ejector blocks for centralized or decentralized individual control of suction pads



System design basic ejector SBP-C

Construction

- Vacuum generator with single stage nozzle, available in six power ratings, from 0.5 to 2.5 mm nozzle diameter
- Housing made of light, impact-resistant plastic
- Connection of compressed air and vacuum with push-in coupling or threads
- Basic housing with connection facility for a vacuum switch
- Optionally available with suction or blow-off pulse, blow-off reservoir (on SBP-C 05/07) and vacuum switch
- Can be fixed horizontal with mounting holes or vertical with the base on a mounting plate
- Optional mounting with mounting plate and mounting kit on DIN top-hat rails



Suitability for branch-specific applications

Basic ejectors SBP-C with additional functions

Designation code Basic ejectors SBP-C with additional functions

Short designation	Nozzle size in mm*10	Connection	Idle position suction valve	Blow-off function	System check
Example: SBP-C	10	S2	NO	A	VS-T
SBP-C	5...0.5 mm 7...0.7 mm 10...1.0 mm 15...1.5 mm 20...2.0 mm 25...2.5 mm	G...threaded holes S...quick-action push-in coupling	NO...normally open NC...normally closed	A...blow-off valve AI...blow-off pulse	-...without vacuum switch VS-T... vacuum switch with teachbutton (PNP)

Ordering data Basic ejectors SBP-C with additional functions

SBP-C 05		SBP-C 07		SBP-C 10	
Type	Article No.	Type	Article No.	Type	Article No.
SBP-C 05 G1 VS-T	10.02.01.00997	SBP-C 07 G1 VS-T	10.02.01.00998	SBP-C 10 G2 VS-T	10.02.01.00999
SBP-C 05 G1 NC	10.02.01.00611	SBP-C 07 G1 NC	10.02.01.00612	SBP-C 10 G2 NO A	10.02.01.00625
SBP-C 05 G1 NC AI	10.02.01.00623	SBP-C 07 G1 NC AI	10.02.01.00624	SBP-C 10 G2 NO A VS-T	10.02.01.01008
SBP-C 05 G1 NC VS-T	10.02.01.01003	SBP-C 07 G1 NC VS-T	10.02.01.01004	SBP-C 10 S2 VS-T	10.02.01.00983
SBP-C 05 G1 NC AI VS-T	10.02.01.01005	SBP-C 07 G1 NC AI VS-T	10.02.01.01006	SBP-C 10 S2 NO A	10.02.01.00589
SBP-C 05 S1 VS-T	10.02.01.00981	SBP-C 07 S1 VS-T	10.02.01.00982	SBP-C 10 S2 NO A VS-T	10.02.01.00993
SBP-C 05 S1 NC	10.02.01.00575	SBP-C 07 S1 NC	10.02.01.00576		
SBP-C 05 S1 NC AI	10.02.01.00587	SBP-C 07 S1 NC AI	10.02.01.00588		
SBP-C 05 S1 NC VS-T	10.02.01.00987	SBP-C 07 S1 NC VS-T	10.02.01.00988		
SBP-C 05 S1 NC AI VS-T	10.02.01.00989	SBP-C 07 S1 NC AI VS-T	10.02.01.00990		

SBP-C 15		SBP-C 20		SBP-C 25	
Type	Article No.	Type	Article No.	Type	Article No.
SBP-C 15 G2 VS-T	10.02.01.01000	SBP-C 20 G3 VS-T	10.02.01.01001	SBP-C 25 G3 VS-T	10.02.01.01002
SBP-C 15 G2 NO A	10.02.01.00626	SBP-C 20 G3 NO A	10.02.01.00627	SBP-C 25 G3 NO A	10.02.01.00628
SBP-C 15 G2 NO A VS-T	10.02.01.01009	SBP-C 20 G3 NO A VS-T	10.02.01.01010	SBP-C 25 G3 NO A VS-T	10.02.01.01011
SBP-C 15 S2 VS-T	10.02.01.00984	SBP-C 20 S3 VS-T	10.02.01.00985	SBP-C 25 S3 VS-T	10.02.01.00986
SBP-C 15 S2 NO A	10.02.01.00590	SBP-C 20 S3 NO A	10.02.01.00591	SBP-C 25 S3 NO A	10.02.01.00592
SBP-C 15 S2 NO A VS-T	10.02.01.00994	SBP-C 20 S3 NO A VS-T	10.02.01.00995	SBP-C 25 S3 NO A VS-T	10.02.01.00996

Ordering data spare parts and accessories Basic ejectors SBP-C with additional functions

Type	Silencer	Mounting plate BEF-PL	Mounting kit SET SBP/SBP-C M4-IG*
SBP-C 05/07	10.02.01.00539	10.02.01.00511*	10.02.01.00769
SBP-C 10/15	10.02.01.00540	10.02.01.00511**	10.02.01.00769
SBP-C 20/25	10.02.01.00719	10.02.01.00511***	10.02.01.00769

*Set with two retaining clips, two screws incl. washers

* suitable for 11 SBP-C 05/07

** suitable for 7 SBP-C 10/15

*** suitable for 5 SBP-C 20/25

Basic ejectors SBP-C with additional functions

Ordering data accessories plug connector Basic ejectors SBP-C with additional functions

Type	Connection plug for solenoid valves with cable (3 m, PUR)	Number of plug connectors*	Connection cable 4-pole for vacuum-switch (5m, PUR, straight)**
SBP-C 05 G1/S1 VS-T	-	-	10.06.02.00031
SBP-C 05 G1/S1 NC ...	21.04.06.00086	1 x	10.06.02.00031
SBP-C 07 G1/S1 VS-T	-	-	10.06.02.00031
SBP-C 07 G1/S1 NC ...	21.04.06.00086	1 x	10.06.02.00031
SBP-C 10 G2/S2 VS-T	-	-	10.06.02.00031
SBP-C 10 G2/S2 NO ...	21.04.06.00086	2 x	10.06.02.00031
SBP-C 15 G2/S2 VS-T	-	-	10.06.02.00031
SBP-C 15 G2/S2 NO...	21.04.06.00086	2 x	10.06.02.00031
SBP-C 20 G3/S3 VS-T	-	-	10.06.02.00031
SBP-C 20 G3/S3 NO...	21.04.06.00086	2 x	10.06.02.00031
SBP-C 25 G3/S3 VS-T	-	-	10.06.02.00031
SBP-C 25 G3/S3 NO...	21.04.06.00086	2 x	10.06.02.00031

*For SBP-C 05/07...NC... order 1 x per ejector; For SBP-C 10/15/20/25...NO... order 2 x per ejector

**Order 1 x per ejector

Technical data Basic ejectors SBP-C with additional functions

Type	Nozzle-Ø [mm]	Degree of evacuation [%]	Max. suction rate [l/min]	Max. suction rate [m³/h]	Air consumpt. during evac. [l/min]*	Air consumpt. during evac. [m³/h]*	Noise level workp. gripped [db(A)]
SBP-C 05	0,5	85	7	0,4	14	0,8	53
SBP-C 07	0,7	85	16	1,0	25	1,5	59
SBP-C 10	1,0	85	38	2,3	48	2,9	59
SBP-C 15	1,5	85	70	4,2	118	7,1	65
SBP-C 20	2,0	85	123	7,4	208	12,5	68
SBP-C 25	2,5	85	215	12,9	311	18,7	70

!The supply voltage for vacuum switches and solenoid valves is 24 VDC

*On version with solenoid valves SBP-C 07 (24) / SBP-C 25 (320) and optimal operating pressure

**For max. length 2 m

Type	Noise level free [db(A)]	Operating pressure [bar]	Recomm. int. hose diameter compr. air [mm]**	Recomm. int. hose diameter vacuum [mm]**	Weight [g]	Operating temperature [°C]
SBP-C 05	58	3...6	2	2	87	0...50
SBP-C 07	65	3...6	2	2	87	0...50
SBP-C 10	65	3...6	4	6	105	0...50
SBP-C 15	72	3...6	4	6	105	0...50
SBP-C 20	77	3...6	6	7	143	0...50
SBP-C 25	78	3...6	6	7	143	0...50

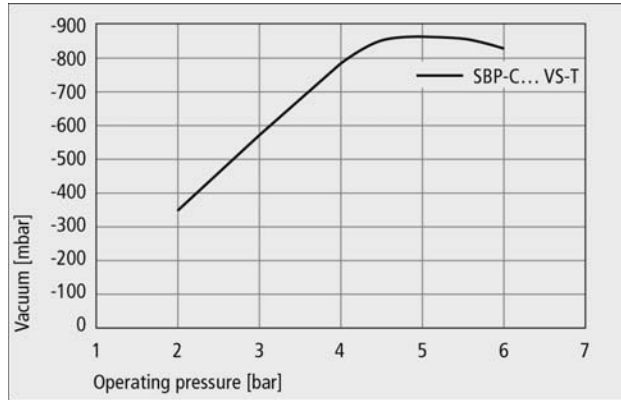
!The supply voltage for vacuum switches and solenoid valves is 24 VDC

*On version with solenoid valves SBP-C 07 (24) / SBP-C 25 (320) and optimal operating pressure

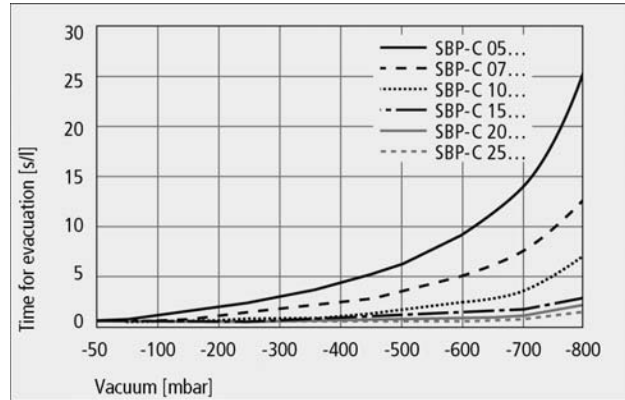
**For max. length 2 m

Basic ejectors SBP-C with additional functions

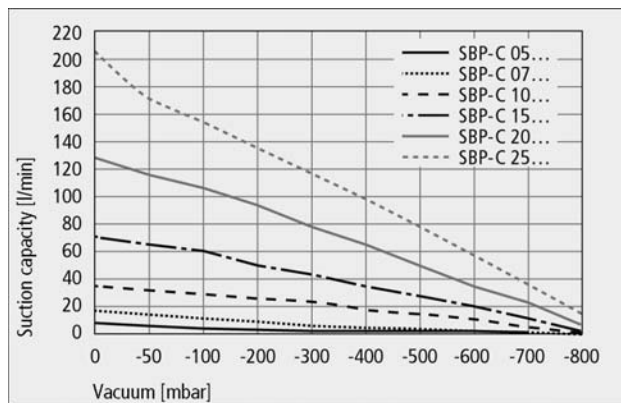
Performance data Basic ejectors SBP-C with additional functions



Achievable vacuum at various operating pressures



Evacuation times for various vacuum ranges



Suction capacity at various degrees of evacuation

Suction capacity in l/min at various degrees of evacuation

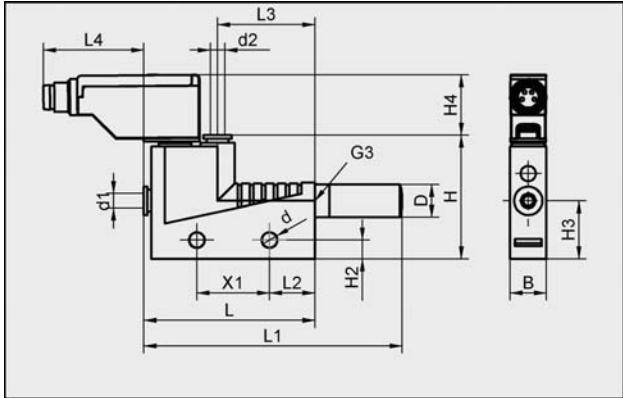
Type	Degree of evacuation in mbar									
	0	-50	-100	-200	-300	-400	-500	-600	-700	-800
SBP-C 05 ...	7,00	6,20	5,30	4,50	3,70	3,00	2,20	1,40	0,40	0,10
SBP-C 07 ...	16,00	13,60	11,37	9,03	7,25	5,63	3,97	2,65	1,10	0,30
SBP-C 10 ...	38,00	33,20	30,10	26,70	23,00	18,60	14,90	9,80	5,20	1,61
SBP-C 15 ...	70,00	65,00	60,10	52,00	44,00	36,50	29,00	20,50	11,40	2,18
SBP-C 20 ...	123,00	115,00	104,00	93,00	78,00	64,00	49,00	35,50	23,00	8,00
SBP-C 25 ...	215,00	175,00	157,50	139,50	119,00	99,50	79,60	59,00	37,30	16,30

Evacuation time in s/l for various vacuum ranges

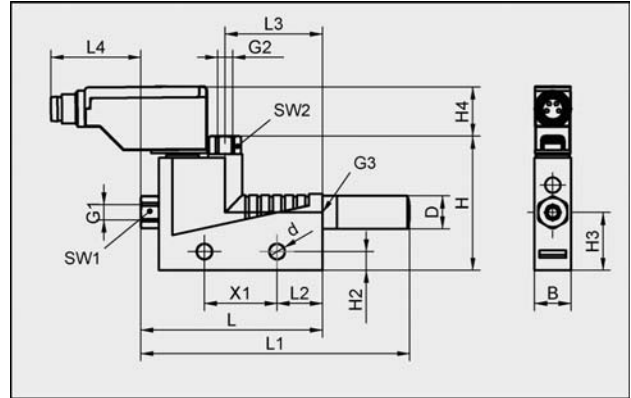
Type	Degree of evacuation in mbar									
	-50	-100	-200	-300	-400	-500	-600	-700	-800	
SBP-C 05 ...	0,34	0,68	1,56	2,66	4,02	5,84	8,54	13,22	25,54	
SBP-C 07 ...	0,20	0,38	0,84	1,46	2,24	3,26	4,66	6,84	12,56	
SBP-C 10 ...	0,06	0,14	0,30	0,52	0,82	1,30	1,98	3,26	6,56	
SBP-C 15 ...	0,05	0,08	0,16	0,26	0,40	0,60	0,86	1,30	2,54	
SBP-C 20 ...	0,03	0,05	0,09	0,16	0,24	0,34	0,49	0,80	1,74	
SBP-C 25 ...	0,02	0,03	0,06	0,09	0,14	0,20	0,28	0,42	0,99	

Basic ejectors SBP-C with additional functions

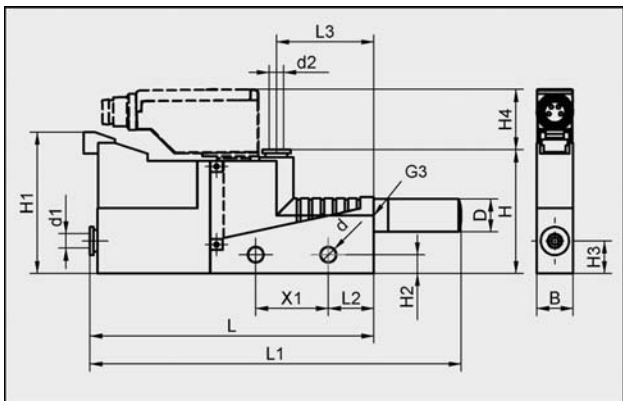
Design data Basic ejectors SBP-C with additional functions



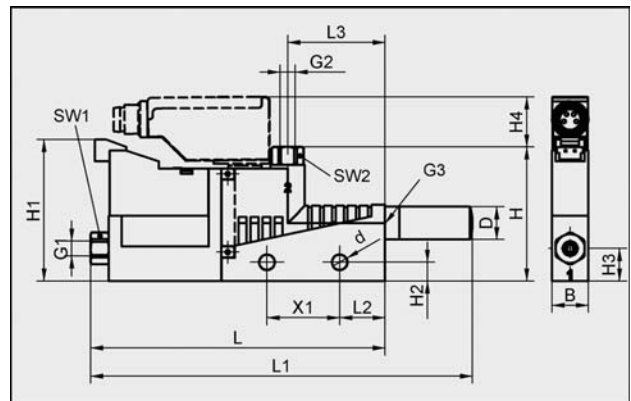
SBP-C 05/07 S1 VS-T; ... 10/15 S2 VS-T; ... 20/25 S3 VS-T



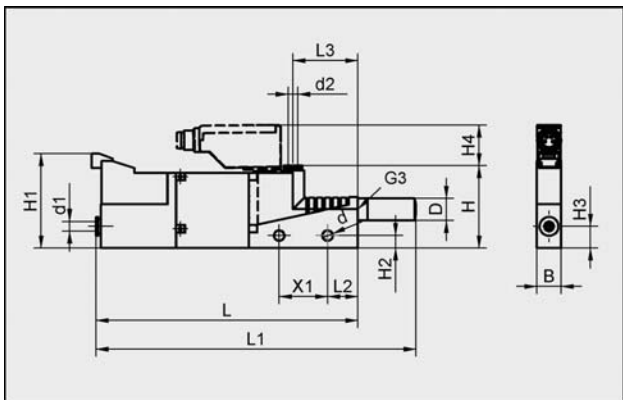
SBP-C 05/07 G1 VS-T; ... 10/15 G2 VS-T; ... 20/25 G3 VS-T



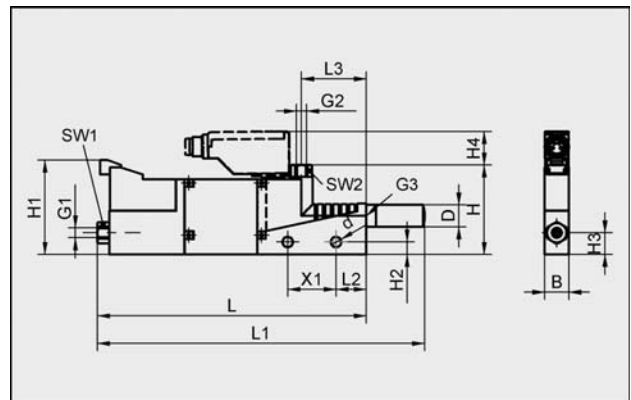
SBP-C 05/07 S1 NC (VS-T)



SBP-C 05/07 G1 NC (VS-T)

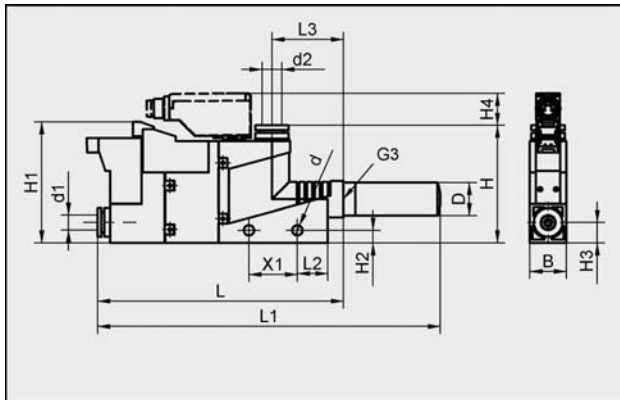


SBP-C 05/07 S1 NC AI (VS-T)

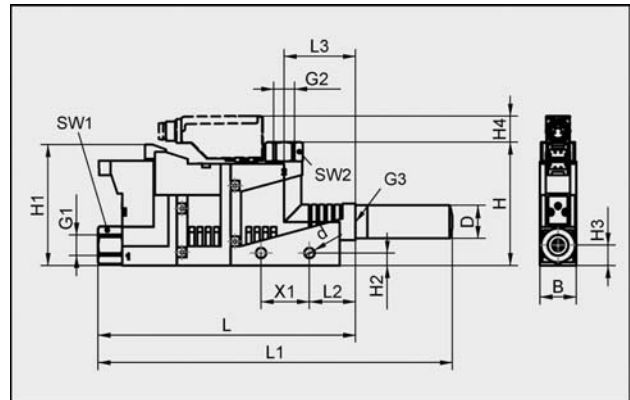


SBP-C 05/07 S1 NC AI (VS-T)

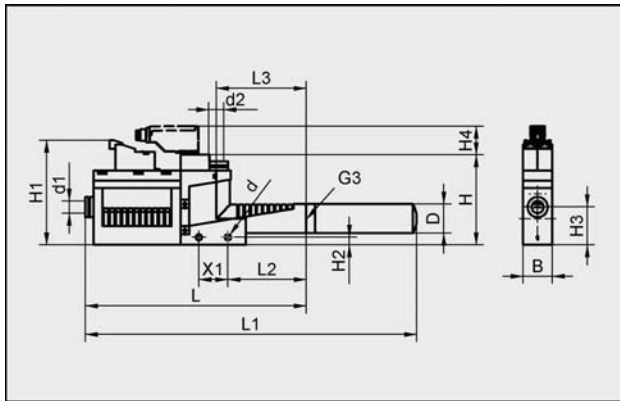
Basic ejectors SBP-C with additional functions



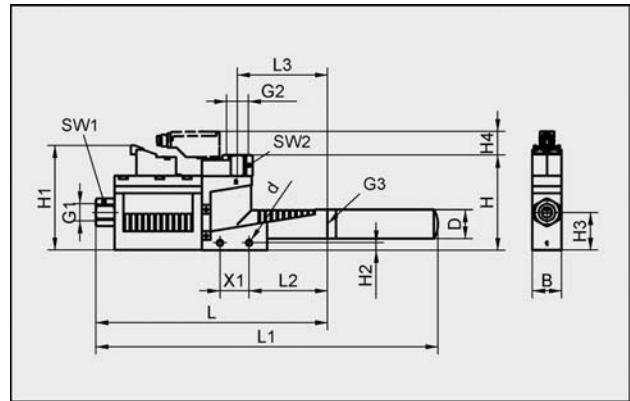
SBP-C 10/15 S2 NO A (VS-T)



SBP-C 10/15 G2 NO A (VS-T)



SBP-C 20/25 S3 NO A (VS-T)



SBP-C 20/25 G3 NO A (VS-T)

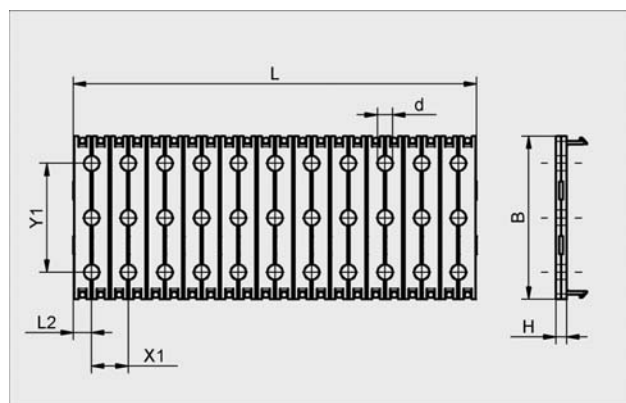
Design data Basic ejectors SBP-C with additional functions

Type	Dimensions in mm										
	B	d	d1	d2	D	G1	G2	G3	H	H1	H2
SBP-C 05/07 G1 VS-T	10	4,2	-	-	9,0	M5-F	M5-F	M5-F	37,0	-	5,2
SBP-C 05/07 G1 NC	10	4,2	-	-	9,0	M5-F	M5-F	M5-F	37,0	39	5,2
SBP-C 05/07 G1 NC AI	10	4,2	-	-	9,0	M5-F	M5-F	M5-F	37,0	39	5,2
SBP-C 05/07 G1 NC VS-T	10	4,2	-	-	9,0	M5-F	M5-F	M5-F	37,0	39	5,2
SBP-C 05/07 G1 NC AI VS-T	10	4,2	-	-	9,0	M5-F	M5-F	M5-F	37,0	39	5,2
SBP-C 05/07 S1 VS-T	10	4,2	4	4	9,0	-	-	M5-F	34,0	-	5,2
SBP-C 05/07 S1 NC AI	10	4,2	4	4	9,0	-	-	M5-F	34,0	39	5,2
SBP-C 05/07 S1 NC VS-T	10	4,2	4	4	9,0	-	-	M5-F	34,0	39	5,2
SBP-C 05/07 S1 NC AI VS-T	10	4,2	4	4	9,0	-	-	M5-F	34,0	39	5,2
SBP-C 10/15 G2 VS-T	15	4,2	-	-	13,5	G1/8"-F	G1/8"-F	G1/8"-F	51,0	-	5,2
SBP-C 10/15 G2 NO A	15	4,2	-	-	13,5	G1/8-F	G1/8-F	G1/8-F	51,0	50	5,2
SBP-C 10/15 G2 NO A VS-T	15	4,2	-	-	13,5	G1/8"-F	G1/8"-F	G1/8"-F	51,0	50	5,2
SBP-C 10/15 S2 VS-T	15	4,2	6	8	13,5	-	-	G1/8"-F	49,0	-	5,2
SBP-C 10/15 S2 NO A	15	4,2	6	8	13,5	-	-	G1/8-F	49,0	50	5,2
SBP-C 10/15 S2 NO A VS-T	15	4,2	6	8	13,5	-	-	G1/8"-F	49,0	50	5,2
SBP-C 20/25 G3 VS-T	20	4,2	-	-	20,0	G1/4"-F	G3/8"-F	G3/8"-F	65,5	-	5,2
SBP-C 20/25 G3 NO A	20	4,2	-	-	20,0	G1/4-F	G3/8-F	G3/8-F	65,5	72	5,2
SBP-C 20/25 G3 NO A VS-T	20	4,2	-	-	20,0	G1/4-F	G3/8-F	G3/8-F	65,5	72	5,2
SBP-C 20/25 S3 VS-T	20	4,2	8	10	20,0	-	-	G3/8-F	62,0	-	5,2
SBP-C 20/25 S3 NO A	20	4,2	8	10	20,0	-	-	G3/8-F	57,5	72	5,2
SBP-C 20/25 S3 NO A VS-T	20	4,2	8	10	20,0	-	-	G3/8-F	62,0	72	5,2

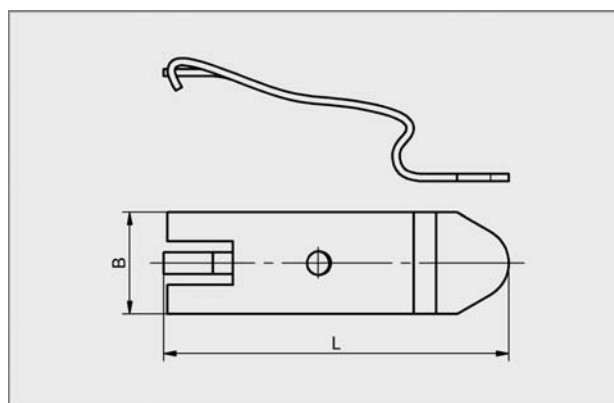
Basic ejectors SBP-C with additional functions

Type	Dimensions in mm										Weight [g]
	H3	H4	L	L1	L2	L3	L4	SW1	SW2	X1	
SBP-C 05/07 G1 VS-T	16,0	13,8	50,0	74,0	12,5	27,0	24,8	8	8	20	87
SBP-C 05/07 G1 NC	9,0	-	81,0	105,0	12,5	27,0	-	8	8	20	28
SBP-C 05/07 G1 NC AI	9,0	-	111,0	135,0	12,5	27,0	-	8	8	20	36
SBP-C 05/07 G1 NC VS-T	9,0	13,8	81,0	105,0	12,5	27,0	-	8	8	20	104
SBP-C 05/07 G1 NC AI VS-T	9,0	13,8	111,0	135,0	12,5	27,0	-	8	8	20	112
SBP-C 05/07 S1 VS-T	16,0	16,7	47,0	71,0	12,5	27,0	27,7	-	-	20	86
SBP-C 05/07 S1 NC	9,0	-	78,0	102,0	12,5	27,0	-	-	-	20	27
SBP-C 05/07 S1 NC AI	9,0	-	108,0	132,0	12,5	27,0	-	-	-	20	35
SBP-C 05/07 S1 NC VS-T	9,0	16,7	78,0	102,0	12,5	27,0	-	-	-	20	103
SBP-C 05/07 S1 NC AI VS-T	9,0	16,7	108,0	132,0	12,5	27,0	-	-	-	20	111
SBP-C 10/15 G2 VS-T	18,0	10,8	61,5	101,5	19,0	29,5	19,8	14	14	20	105
SBP-C 10/15 G2 NO A	8,5	-	106,0	146,0	19,0	29,5	-	14	14	20	70
SBP-C 10/15 G2 NO A VS-T	8,5	10,8	106,0	146,0	19,0	29,5	-	14	14	20	145
SBP-C 10/15 S2 VS-T	18,0	13,1	57,0	97,0	19,0	29,5	24,6	-	-	20	100
SBP-C 10/15 S2 NO A	8,5	-	101,5	141,5	19,0	29,5	-	-	-	20	65
SBP-C 10/15 S2 NO A VS-T	8,5	13,2	101,5	141,5	12,5	29,5	-	-	-	20	140
SBP-C 20/25 G3 VS-T	18,0	16,3	99,5	175,5	54,0	62,0	17,8	17	19	20	143
SBP-C 20/25 G3 NO A	8,5	-	159,5	235,5	54,0	62,0	-	17	19	20	144
SBP-C 20/25 G3 NO A VS-T	26,0	16,3	159,5	235,5	54,0	62,0	-	17	19	20	220
SBP-C 20/25 S3 VS-T	18,0	20,0	92,0	168,0	54,0	62,0	25,2	-	-	20	145
SBP-C 20/25 S3 NO A	26,0	-	152,0	228,0	54,0	62,0	-	-	-	20	146
SBP-C 20/25 S3 NO A VS-T	26,0	20,0	152,0	228,0	54,0	62,0	-	-	-	20	222

Design data spare parts and accessories Basic ejectors SBP-C with additional functions



BEF-PL



SET SBP/SBP-C M4-IG

Type	Dimensions in mm						
	B	d	H	L	L2	X1	Y1
Mounting plate BEF-PL	45	4,2	3	111,1	5	10,1	30
Mounting set SET SBP/SBP-C M4-IG	14	-	-	50,0	-	-	-