

# Flat suction pads (round)

## Flat suction pads PFYN-F



Flat suction pad PFYN-F

### Our Highlights...

- Flat design
- Internal Supports
- Small internal volume

### Your Advantages...

- ▶ Particularly suitable for flat and smooth workpieces
- ▶ Distributes vacuum evenly and improves holding rigidity, for high transverse holding forces
- ▶ For short cycle times

### Applications

- Handling of flat workpieces with smooth surfaces
- Handling of hot workpieces (SI version)

### Construction

- Robust, hard wearing suction pads PFYN-F with single sealing lip, consisting of suction pad PFG-F and connection nipple
- Connection nipple plugs into suction pads

### Designation code

Short designation	Diameter in mm	Material and shore hardness	Addition	Connection thread
PFYN-F... with connection nipple	20	CR-50... Chloroprene	S... with filter sieve	G1/8"-IG
PFG-F... without connection nipple	25	SI-50... Silicone		G1/8"-AG
	30	PVC-50... PVC		(AG=male, IG=female)
	40			
	50			

### Ordering data

Type	Suction pad material* / hardness in Shore A		
	Chloroprene CR-50	Silicone SI-50	PVC-50
PFYN-F 20 G1/8-AG	10.01.01.11035	10.01.01.11037	-
PFYN-F 20 S G1/8-AG	10.01.01.11036	10.01.01.11038	-
PFYN-F 25 G1/8-AG	10.01.01.11039	10.01.01.11041	-
PFYN-F 25 S G1/8-AG	10.01.01.11040	10.01.01.11042	-
PFYN-F 30 G1/8-AG	10.01.01.11043	10.01.01.11045	-
PFYN-F 30 S G1/8-AG	10.01.01.11044	10.01.01.11046	-
PFYN-F 40 G1/8-IG	-	10.01.01.11049	10.01.01.11047
PFYN-F 40 S G1/8-IG	-	10.01.01.11050	10.01.01.11048
PFYN-F 50 G1/8-IG	-	10.01.01.11053	10.01.01.11051
PFYN-F 50 S G1/8-IG	-	10.01.01.11054	10.01.01.11052

\* See Section 2, "Basic Principles of Suction-Pad Materials" for further details of materials

### Ordering data spare parts

Type	Suction pad material* / hardness in Shore A		
	Chloroprene CR-50	Silicone SI-50	PVC-50
PFG-F 20	10.01.01.11014	10.01.01.11015	-
PFG-F 25	10.01.01.11018	10.01.01.11019	-
PFG-F 30	10.01.01.11022	10.01.01.11023	-
PFG-F 40	-	10.01.01.11030	10.01.01.11029
PFG-F 50	-	10.01.01.11034	10.01.01.11033

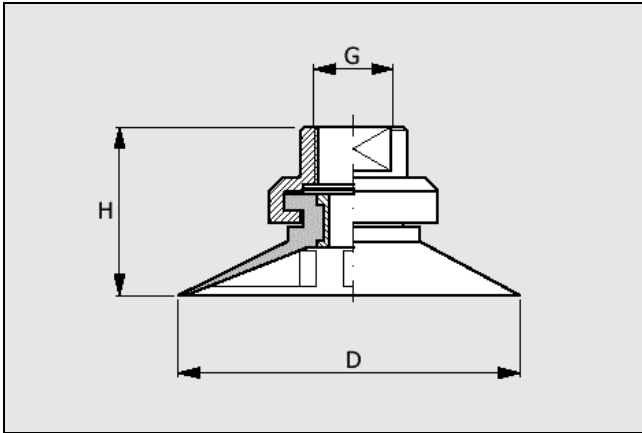
\* See Section 2, "Basic Principles of Suction-Pad Materials" for further details of materials

# Flat suction pads (round)

## Flat suction pads PFYN-F



### Design data flat suction pad PFYN-F

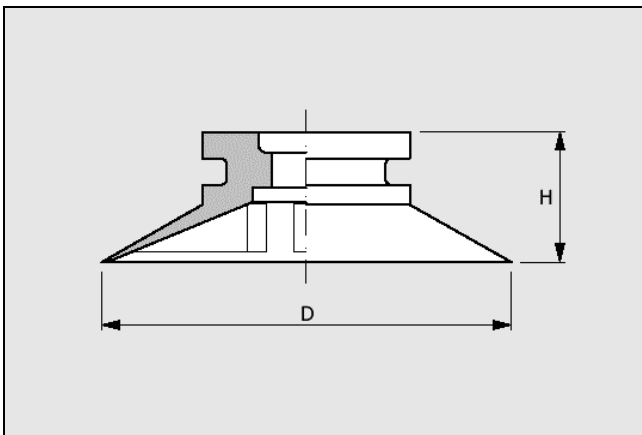


PFYN-F

Type	Dimensions in mm		
	D	H	G
PFYN-F 20 G1/8-AG	22	17	1/8"
PFYN-F 25 G1/8-AG	27	18	1/8"
PFYN-F 30 G1/8-AG	32	18	1/8"
PFYN-F 40 G1/8-IG	40	21	15
PFYN-F 50 G1/8-IG	50	27	15

\* Acceptable dimensional tolerances for rubber parts concerning to M3 - DIN 7715

### Design data flat suction pad PFG-F



PFG-F

Type	Dimensions in mm	
	D	H
PFG-F 20	22	8
PFG-F 25	27	9
PFG-F 30	32	10
PFG-F 40	40	13
PFG-F 50	50	17.5

\* Acceptable dimensional tolerances for rubber parts concerning to M3 - DIN 7715