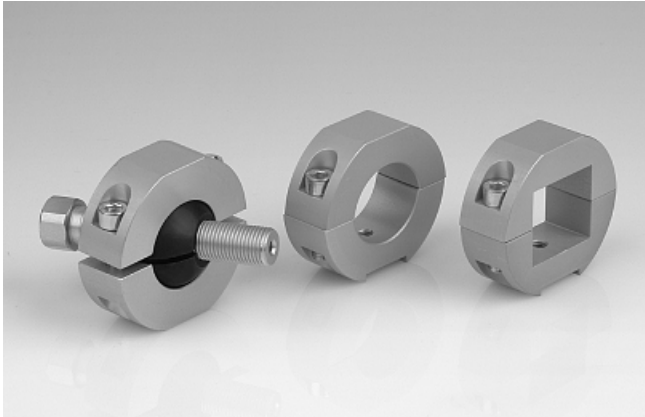


Holders for suction pads and spring plungers



Universal holder HTR-UNI



Universal holder HTR-UNI

Our highlights...

- Adjustment and fixing with ball clamp
- Adjustable height and inclination
- Suitable for mounting on square and round tubes
- Suction pads can be screwed directly into the G 1/4" thread

Your advantages...

- > Flexible use, rapid changing, short set-up times
- > Flexible adaptation to workpieces with, for example, curved metal sheets (car bodywork parts)
- > For universal use
- > Quick and cheap construction of a load cross-beam

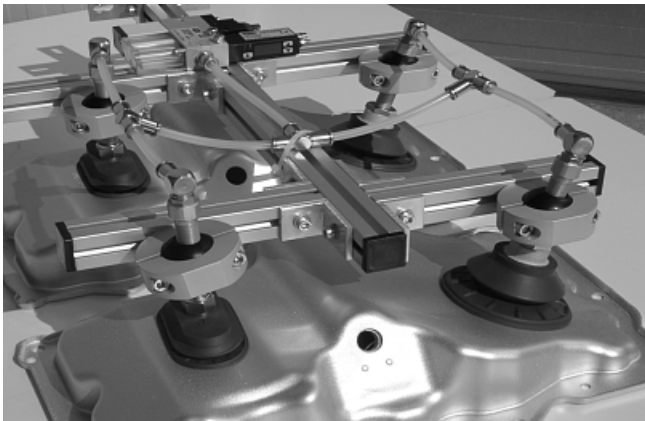
Applications

- Simple mounting of vacuum components on existing cross-beams made of square or round tubes with the aid of various adapters
- HTR-UNI 1N G2 can be mounted together with the section adapter STB or tube adapter STC on rectangular and round tubes, respectively

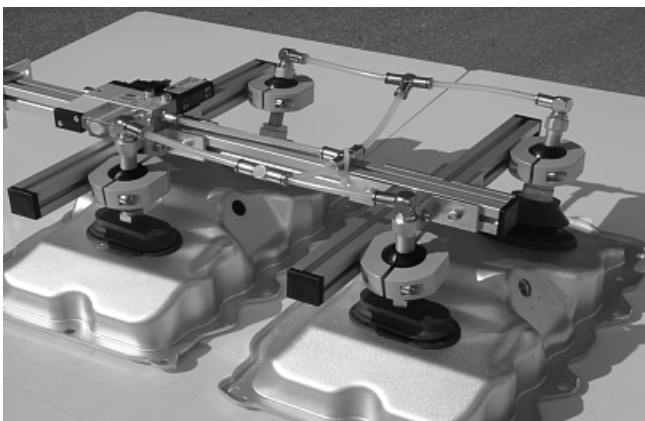
Construction

- Holder made of high-strength, coated aluminum, consisting of holder tube, ball clamp and various adapters for mounting of square and round tubes
- Threaded tube has a G 1/4" thread at the bottom for a suction pad and a G 1/8" thread at the top for connection of a vacuum line or an inline ejector

Suitability for branch-specific applications



Mounting example HTR-UNI 1N G2



Mounting example HTR-UNI 1N G2



Holders for suction pads and spring plungers



Universal holder HTR-UNI

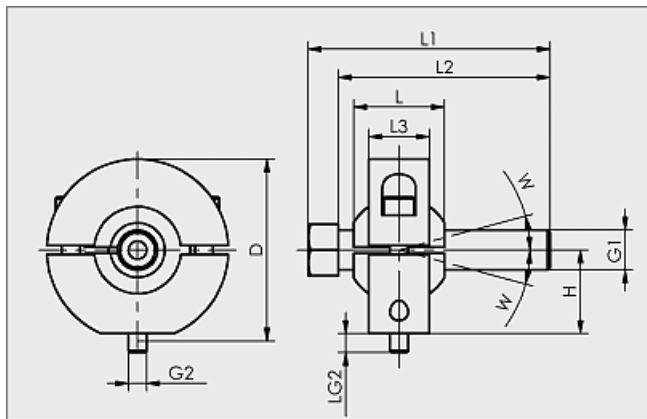
Ordering data Universal holder HTR-UNI

Type	Article No.
HTR-UNI 1N G2 80	10.01.03.00107
HTR-UNI 2N G2 80	10.01.03.00223

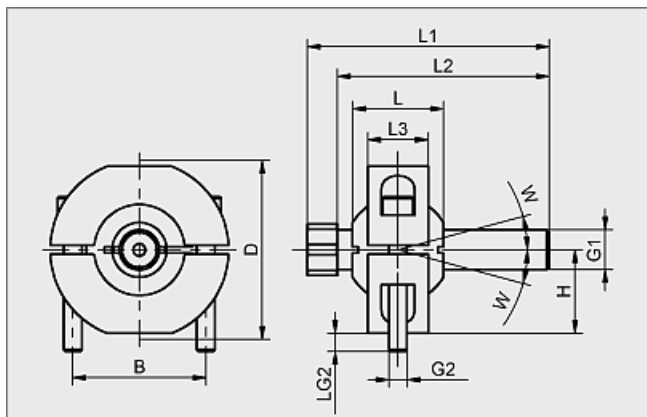
Ordering data accessories Universal holder HTR-UNI

Type*	Square-section adapter HTR-STB 30x30 UNI for mount. on square sections 30x30 mm	Tube adapter HTR-STC D32 UNI for mounting on round tubes with diameter 32 mm	Tube adapter reducing piece BUCHSE 32-25x21 PA for tubes with diameter 25 mm
HTR-UNI 1N G2	10.01.03.00135	10.01.03.00108	10.01.03.00097

*Adapter accessories for mounting the HTR-UNI 1N G2 on tubes and square sections



Universal holder HTR-UNI 1N G2



Universal holder HTR-UNI 2N G2

Design data Universal holder HTR-UNI

Type	Dimensions in mm					
	B	D	G1	G2	H	L
HTR-UNI 1N G2 80	-	58,2	G1/4"-M	M6-M	27,5	30
HTR-UNI 2N G2 80	44	58,2	G1/4"-M	M6-M	27,5	30

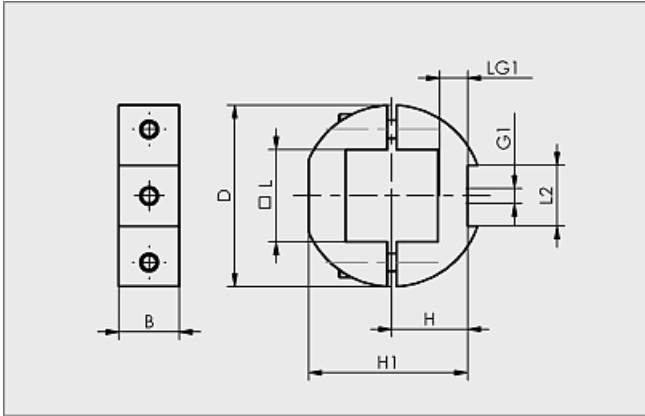
Type	Dimensions in mm				
	L1	L2	L3	LG2	W [°]
HTR-UNI 1N G2 80	80	70	20	6	15
HTR-UNI 2N G2 80	80	70	20	6	15

Holders for suction pads and spring plungers

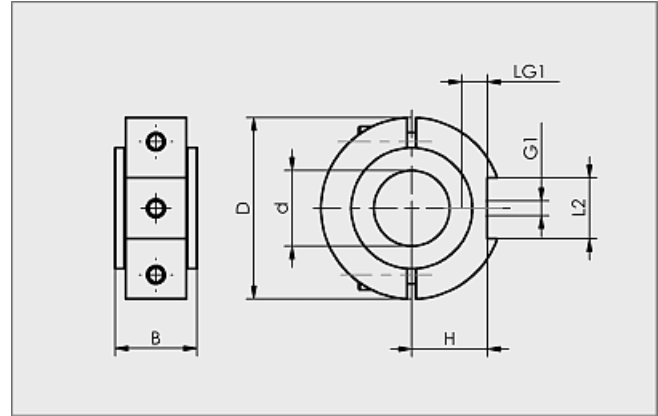


Universal holder HTR-UNI

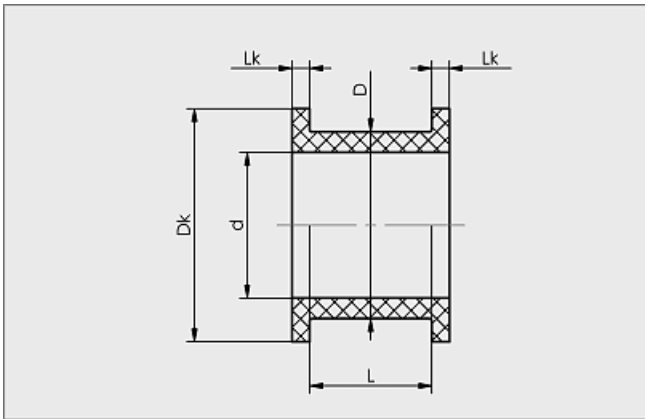
Design data Universal holder HTR-UNI



Square-section adapter HTR-STB 30x30 UNI



Tube adapter HTR-STC D32 UNI



Reducing piece BUCHSE 32-25x21 PA

Type	Dimensions in mm										
	B	d	D	Dk	G1	H	H1	L	L2	LG1	Lk
HTR-STB 30x30 UNI	20	-	58,9	-	M6-F	25	52,5	30,5	20,1	10	-
HTR-STC D32 UNI	20	32	58,9	-	M6-F	25	-	-	20,1	12	-
BUCHSE 32-25x21 PA	-	25	32,0	40	-	-	-	21,0	-	-	3

Mounting elements

4