

Holders for suction pads and spring plungers



Holder for spring plunger HTR-FST



Suction-pad holders HTR-FST

Our highlights...

- Continuous adjustment of the spring plunger FSTI with the aid of a thread
- Various mounting options for mounting on load beams
- Minimum size

Your advantages...

- >Quick and reliable adaptation to workpieces of varying sizes and shapes
- >Adaption to all commonly used systems possible; quick installation, changing and re-use of modules; extremely flexible
- >Lower weight and thus reduced costs



Mounting example HTR-FST 2N on an aluminium section

Applications

- Used in combination with spring plungers, primarily in applications where it is necessary to compensate for workpieces with varying heights.
- Typical applications are the removal of metal sheets from a stack or the handling of curved car bodywork components in automobile factories.



Mounting example HTR-FST A3 on a vacuum spider

Construction

- Spring-plunger holder made of high-strength, anodized aluminum, consisting of a holder, optionally with clamping screw, and various adapters.



Suitability for branch-specific applications

Holders for suction pads and spring plungers



Holder for spring plunger HTR-FST



Ordering data Holder for spring plunger HTR-FST

Type*	Article No.
HTR-FST A1	10.01.03.06135
HTR-FST A2	10.01.03.06134
HTR-FST A3	10.01.03.06136
HTR-FST 1N	10.01.03.06142
HTR-FST 2N	10.01.03.06143

*A1 = adapter, cylindrical; A2 = adapter, cylindrical, notched; A3 = adapter spherical; 1N = 1 screw + 1 block; 2N = 2 screws + 2 blocks



Ordering data Holder for spring plunger HTR-FST

Type*	Article No.
ADP-A A1	10.01.03.06132
ADP-A A2	10.01.03.06131
ADP-A A3	10.01.03.06133

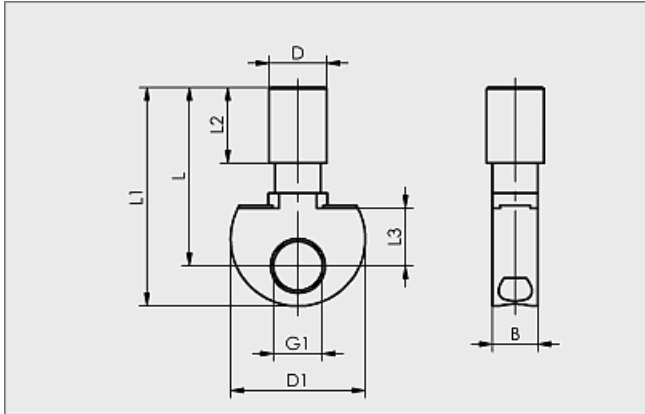
*Mounting adapters ADP-A A1, ADP-A A2, ADP-A A3 available as spare parts under these Article Nos.

Holders for suction pads and spring plungers

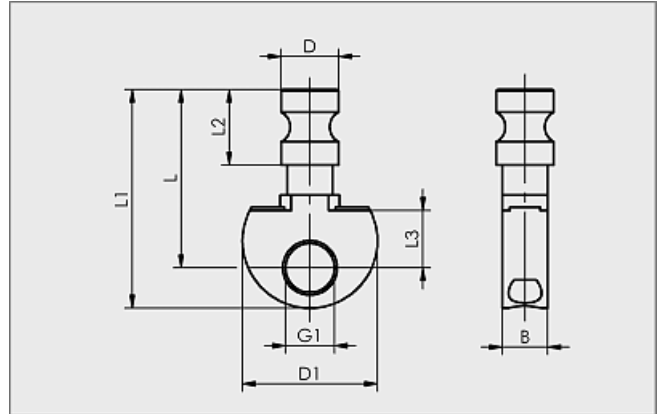


Holder for spring plunger HTR-FST

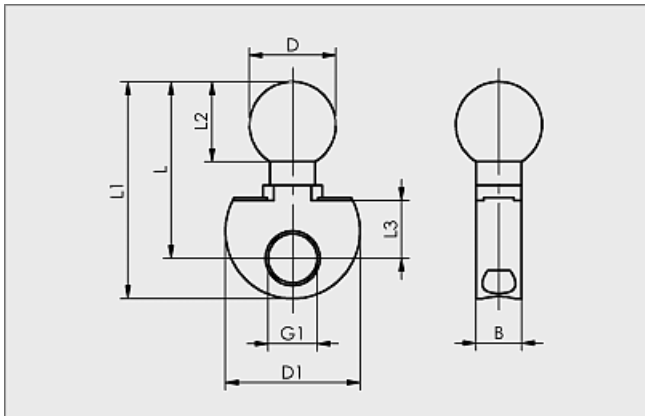
Design data Holder for spring plunger HTR-FST



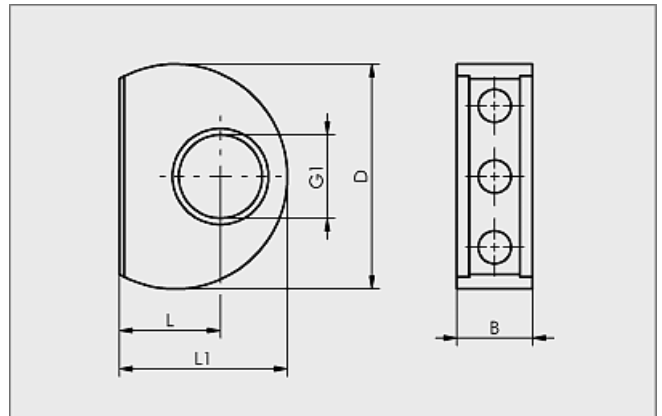
Spring-plunger holder HTR-FST A1



Spring-plunger holder HTR-FST A2



Spring-plunger holder HTR-FST A3



Spring-plunger holder HTR-FST 1N / 2N

Type	Dimensions in mm							
	B	D	D1	G1	L	L1	L2	L3
HTR-FST A1	15	19,0	44,5	M18x1.5-M	59,0	72,3	25,0	19
HTR-FST A2	15	19,0	44,5	M18x1.5-M	59,0	72,3	25,0	19
HTR-FST A3	15	28,5	44,5	M18x1.5-M	58,3	71,5	26,4	19
HTR-FST 1N	15	44,5	-	M18x1.5-M	20,0	33,3	-	-
HTR-FST 2N	15	44,5	-	M18x1.5-M	20,0	33,3	-	-