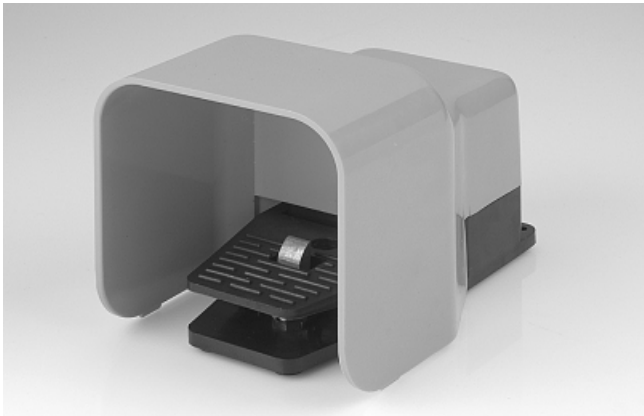


# Manually actuated valves

## Foot-operated interrupter FU



Foot-operated disconnecter FU

### Our highlights...

- Foot-actuated multi-way valve
- Robust valve construction (pressure-cast zinc)
- Manually controlled 3/2-way valve

### Your advantages...

- >Foot-actuated, leaving the hands free
- >For use with compressed air or vacuum
- >Manual activation, deactivation and venting

### Applications

- Control of compressed air and vacuum at manual working positions, leaving the hands free for the actual work
- For use with clamping tables and vacuum workbenches
- Also for use in measuring and monitoring systems

### Construction

- Foot-actuated seat valve made of pressure-cast zinc
- Housing and protective cover made of nylon
- Gaskets made of oil-resistant rubber
- Available with or without locking function
- 3/2-way valve
- With filter on the venting outlet



### Suitability for branch-specific applications

### Ordering data Foot-operated interrupter FU

Type*	Article No.
FU 7 3/2 R	10.05.09.00010
FU 7 3/2	10.05.09.00011

\*R = with detent

### Technical data Foot-operated interrupter FU

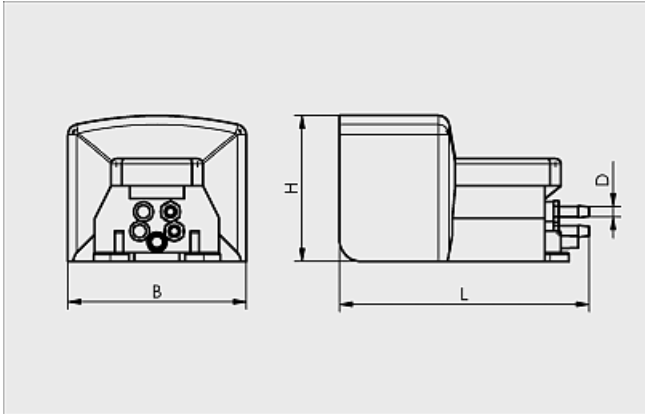
Type	Nominal diameter [mm]	Nominal flow rate [m <sup>3</sup> /h]	Nominal flow rate [l/min]	Work area [bar]	Weight [kg]
FU 7 3/2	7,2	6	100	-0.95...10.0	1,39

# Manually actuated valves

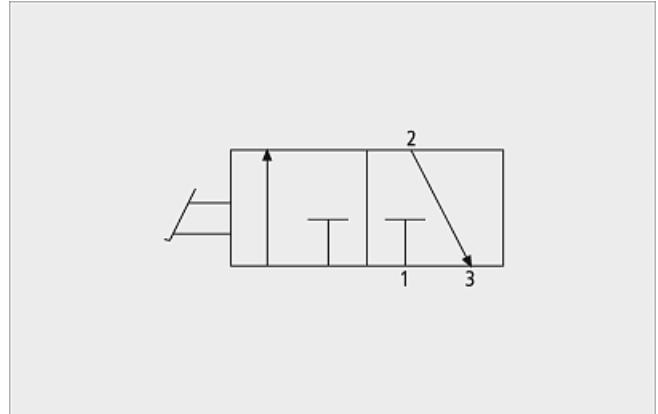
## Foot-operated interrupter FU



### Design data and functional circuit diagram Foot-operated interrupter FU



Foot switch FU



Circuit diagram FU

Type	Dimensions in mm			
	B	D	H	L
FU 7 3/2	165	9,5	135	235