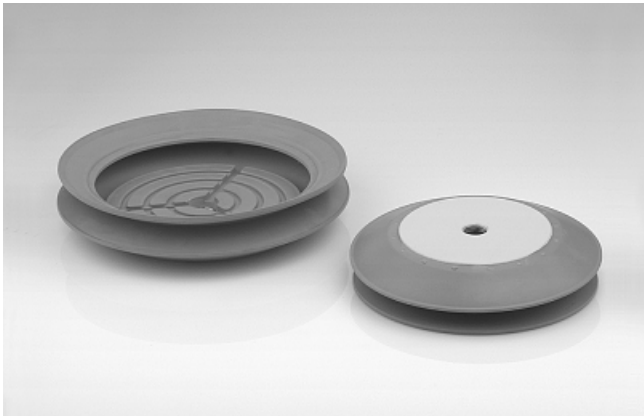


Bellows suction pads (round)

Bellows suction pads FSGPL (1.5 folds)



Bellows suction pads FSGPL

Our highlights...

- Various versions with large diameters
- Very soft, tapered sealing lip
- Optimized shape with 1.5 folds
- Supports on the bottom

Your advantages...

- >For use with large, heavy workpieces which are easily damaged
- >Very good adaptation to curved workpiece surfaces
- >High suction force and optimum damping effect during placement on workpiece
- >No permanent deformation or breakage of easily damaged workpieces

Applications

- Handling of cardboard, sheet metal, wood, glass and ceramics
- Handling of workpieces with uneven surfaces (corrugations permit optimal adaptation to concave and convex surfaces)

Construction

- Robust and hard-wearing suction pad FSGPL with single sealing lip and 1.5 folds
- Steel mounting plate with integrated female thread vulcanised to the pad
- Lower side of mounting plate covered with an elastomer coating
- Optionally available without threaded hole



Suitability for branch-specific applications

Designation code Bellows suction pads FSGPL (1.5 folds)

Short designation	Diameter in mm	Material and shore hardness	Connection thread
Example: FSGPL	200	NBR-55	G1/2-IG
FSGPL	150 200 250	NBR-55	G1/2-IG (IG = female)

Ordering data Bellows suction pads FSGPL (1.5 folds)

Type*	Article No.
FSGPL 150 NBR-55 G1/2-IG	10.01.06.00101
FSGPL 200 NBR-55 G1/2-IG	10.01.06.00102
FSGPL 250 NBR-55 G1/2-IG	10.01.06.00103

*See Section 2, "Basic Principles of Suction-Pad Materials" for further details of materials

Bellows suction pads (round)

Bellows suction pads FSGPL (1.5 folds)

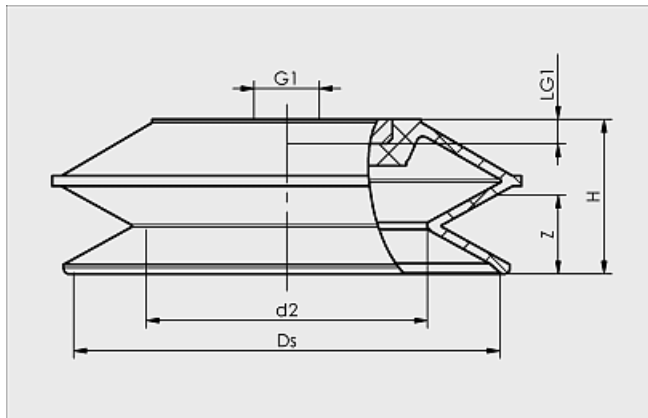


Vacuum suction pads
2

Technical data Bellows suction pads FSGPL (1.5 folds)

Type	Suction force [N]*	Pull-off force [N]	Volume [cm ³]	Min. curve radius [mm] (convex)	Recom. internal hose diameter d [mm]
FSGPL 150 NBR-55 G1/2-IG	370	500	490	250	12
FSGPL 200 NBR-55 G1/2-IG	850	950	790	350	12
FSGPL 250 NBR-55 G1/2-IG	1610	2000	1590	500	12

*The specified suction forces are theoretical values at a vacuum of -0.6 bar and with a smooth, dry workpiece surface - they do not include a safety factor



FSGPL 150 to 250

Des. data Bellows suction pads FSGPL (1.5 folds)

Type	Dimensions in mm*		
	d2	Ds	G1**
FSGPL 150 NBR-55 G1/2-IG	93,0	143,5	G1/2"-F
FSGPL 200 NBR-55 G1/2-IG	137,0	191,0	G1/2"-F
FSGPL 250 NBR-55 G1/2-IG	186,0	239,3	G1/2"-F

Type	Dimensions in mm*		
	H	LG1	Z (Stroke)
FSGPL 150 NBR-55 G1/2-IG	51	8	35,7
FSGPL 200 NBR-55 G1/2-IG	54	8	37,2
FSGPL 250 NBR-55 G1/2-IG	60	8	43,0

*Acceptable dimensional tolerances for rubber parts concerning to M3 - DIN 7715

**Mounting plate optionally available without drilled holes