

# Bellows suction pads (round)

Bellows suction pads FSGC-BL (4.5 folds)



Bellows suction pads FSGC-BL

## Our Highlights...

- Extra long stroke
- Soft lip with large opening
- 4.5 folds

## Your Advantages...

- ▶ For handling workpieces with curved or uneven surfaces
- ▶ For handling soft packaging materials
- ▶ Workpiece can be lifted during evacuation

## Applications

- Packaging materials
- Paper board containers
- Curved or structured surfaces

## Designation Code

Short Designation	Diameter in mm	Material and shore hardness	Addition	Connection thread
FSGC-BL... with connection nipple	20	CR-60... Chloroprene	S... with filter sieve	G1/8"-IG
FGC-BL... without connection nipple	30 40 50	SI-50... Silicone		G1/8"-AG (AG=male; IG=female)

## Ordering Data

Type	Suction pad material* / hardness in Shore A	
	Chloroprene CR-60	Silicone SI-50
FSGC-BL 20 G1/8-AG	10.01.06.01134	10.01.06.01136
FSGC-BL 20 S G1/8-AG	10.01.06.01135	10.01.06.01137
FSGC-BL 30 G1/8-IG	10.01.06.01138	10.01.06.01140
FSGC-BL 30 S G1/8-IG	10.01.06.01139	10.01.06.01141
FSGC-BL 40 G1/8-IG	10.01.06.01142	10.01.06.01144
FSGC-BL 40 S G1/8-IG	10.01.06.01143	10.01.06.01145
FSGC-BL 50 G1/8-IG	10.01.06.01146	10.01.06.01148
FSGC-BL 50 S G1/8-IG	10.01.06.01147	10.01.06.01149

\* See Section 2, "Basic Principles of Suction-Pad Materials" for further details of materials

## Ordering Data Spare Parts

Type	Suction pad material* / hardness in Shore A	
	Chloroprene CR-60	Silicone SI-50
FGC-BL 20	10.01.06.01096	10.01.06.01097
FGC-BL 30	10.01.06.01098	10.01.06.01099
FGC-BL 40	10.01.06.01100	10.01.06.01101
FGC-BL 50	10.01.06.01102	10.01.06.01103

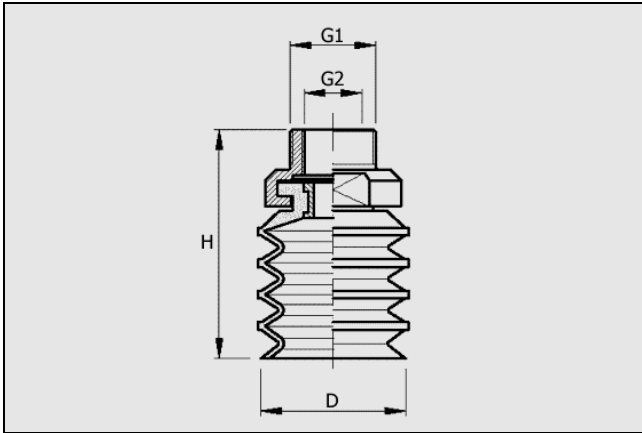
\* See Section 2, "Basic Principles of Suction-Pad Materials" for further details of materials

# Bellows suction pads (round)

Bellows suction pads FSGC-BL (4.5 folds)



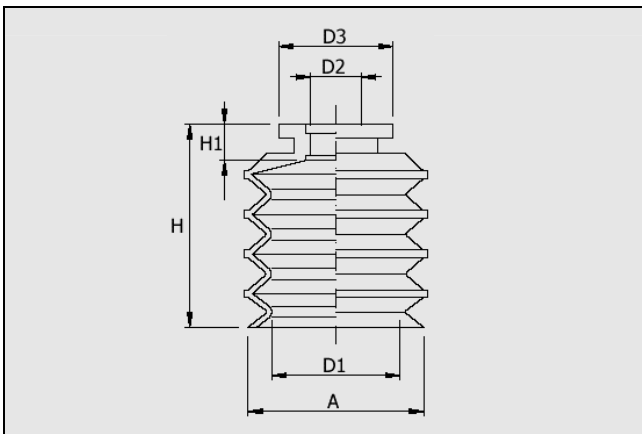
## Design Data Bellow suction pad FSGC-BL



FSGC-BL

Type	D	G1	G2	H
FSGC-BL 20 G1/8-AG	20	1/8"	M5	30
FSGC-BL 30 G1/8-IG	30	-	1/8"	40
FSGC-BL 40 G1/8-IG	40	-	1/8"	50
FSGC-BL 50 G1/8-IG	50	-	1/8"	61

## Design Data Bellow suction pad FGC-BL



FGC-BL

Type	A	D1	D2	D3	H	H1
FGC-BL 20	20	14	5	14.5	23	5
FGC-BL 30	30	21	6.5	20	32	7
FGC-BL 40	40	28	6.5	20	42	7
FGC-BL 50	50	35	10.5	27	52	10