

Bellows suction pads (round)

Bellows suction pads FSGA VU1 (1.5 folds)



Bellows suction pads FSGA VU1

Our highlights...

- Special material Vulkollan VU1 with high resistance to cracking
- Good resistance to chemicals
- Minimum abrasion: approx. 10 - 12 mm³ to DIN 53516
- Supports on the bottom
- Very stiff top fold

Your advantages...

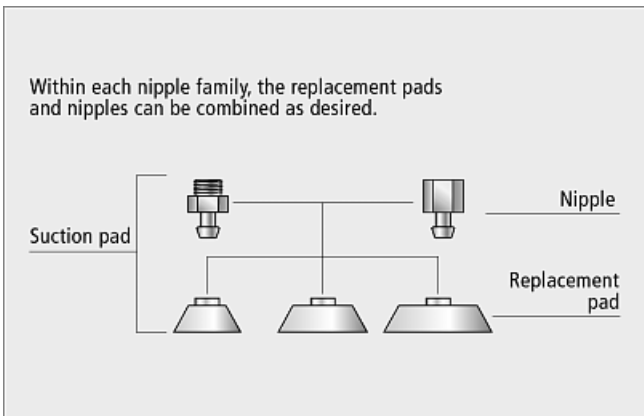
- >Very hard-wearing suction pad for very high loads and a long lifetime
- >Unaffected by oil (handling of sheet metal)
- >Up to lifetime 20 times longer compared with standard NBR
- >No permanent deformation of thin-walled workpieces
- >Good resistance to horizontal forces at high acceleration values



Wear-resistant bellows suction pad FSGA VU1 for handling of sheet metal

Applications

- For hard use in multi-shift operations with very short cycle times
- Suction pad with special groove: for handling oily metal sheets (better resistance to lateral forces)
- Suction pad without special groove: for handling cardboard, wood and similar materials
- Handling of workpieces with very abrasive surfaces such as rough cardboard sheets



Modular suction-pad system

Construction

- Robust and hard-wearing suction pad FSG with single sealing lip, consisting of suction pad FG (Vulkollan VU1) with 1.5 folds and connection nipple
- Suction pad connected positively to nipple; no turning even when handling heavy loads
- Suction pads are delivered assembled



Suitability for branch-specific applications

Bellows suction pads (round)

Bellows suction pads FSGA VU1 (1.5 folds)



Designation code Bellows suction pads FSGA VU1 (1.5 folds)

Short designation	Diameter in mm	Material and shore hardness	Connection thread	Additional function
Example: FSGA	50	VU1-72	G1/4-AG	ON
FSGA...with connection nipple FGA...without connection nipple	30 to 110	VU1-72	G1/4-IG/AG G1/2-IG (AG = male; IG = female)	ON...oil slot

Ordering data Bellows suction pads FSGA VU1 (1.5 folds)

Type	Connection		
	G1/2"-F	G1/4"-M	G1/4"-F
FSGA 30 VU1	-	10.01.06.00197	10.01.06.00169
FSGA 40 VU1 ON	-	10.01.06.00306	10.01.06.00299
FSGA 50 VU1 ON	-	10.01.06.00307	10.01.06.00300
FSGA 60 VU1	-	10.01.06.00242	10.01.06.00240
FSGA 60 VU1 ON	-	10.01.06.00198	10.01.06.00172
FSGA 85 VU1	-	10.01.06.00243	10.01.06.00241
FSGA 85 VU1 ON	-	10.01.06.00199	10.01.06.00170
FSGA 110 VU1 ON	10.01.06.00497	-	-

Ordering data spare parts suction pads and suction pad nipples

Type	Bellows suction pad (round)	Type	Suction-pad connection nipple
FGA 30 VU1	10.01.06.00177	FSGA 30 VU1 G1/4-AG	SA-NIP N013 G1/4-AG DN350 10.01.06.00183
FGA 40 VU1 ON	10.01.06.00301	FSGA 30 VU1 G1/4-IG	SA-NIP N013 G1/4-IG DN350 10.01.06.00180
FGA 50 VU1 ON	10.01.06.00302	FSGA 40 VU1 G1/4-AG	SA-NIP N011 G1/4-AG DN350 10.01.01.10663
FGA 60 VU1	10.01.06.00178	FSGA 40 VU1 G1/4-IG	SA-NIP N011 G1/4-IG DN350 10.01.01.00412
FGA 60 VU1 ON	10.01.06.00207	FSGA 50 VU1 G1/4-AG	SA-NIP N011 G1/4-AG DN350 10.01.01.10663
FGA 85 VU1	10.01.06.00179	FSGA 50 VU1 G1/4-IG	SA-NIP N011 G1/4-IG DN350 10.01.01.00412
FGA 85 VU1 ON	10.01.06.00190	FSGA 60 VU1 G1/4-AG	SA-NIP N014 G1/4-AG DN600 10.01.06.00184
FGA 110 VU1 ON	10.01.06.00492	FSGA 60 VU1 G1/4-IG	SA-NIP N014 G1/4-IG DN600 10.01.06.00181
		FSGA 85 VU1 G1/4-AG	SA-NIP N015 G1/4-AG DN600 10.01.06.00185
		FSGA 85 VU1 G1/4-IG	SA-NIP N015 G1/4-IG DN600 10.01.06.00182
		FSGA 110 VU1 G1/2-IG	SA-NIP N037 G1/2-IG 10.01.06.00593

Technical data Bellows suction pads FSGA VU1 (1.5 folds)

Type	Suction force [N]*	Pull-off force [N]	Volume [cm ³]	Min. curve radius [mm] (convex)	Recom. internal hose diameter d [mm]	Nipple family
FSGA 30 VU1	13,5	32	4,2	25	6	N 013
FSGA 40 VU1	33,0	56	11,3	30	6	N 011
FSGA 50 VU1	52,0	88	22,6	40	6	N 011
FSGA 60 VU1	75,0	120	31,0	50	6	N 014
FSGA 85 VU1	140,0	250	78,0	80	6	N 015
FSGA 110 VU1	295,0	420	350,0	100	9	N 037

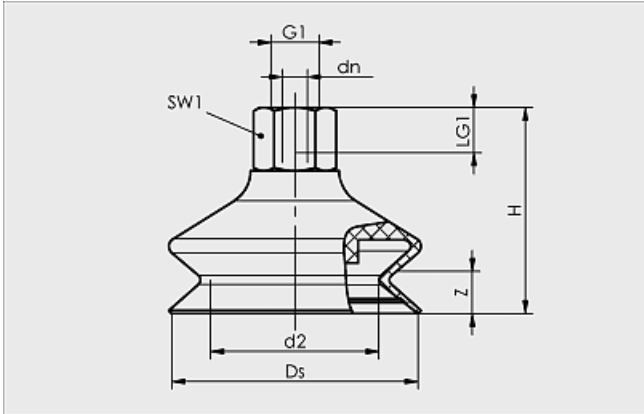
*The specified suction forces are theoretical values at a vacuum of -0.6 bar and with a smooth, dry workpiece surface - they do not include a safety factor

Bellows suction pads (round)

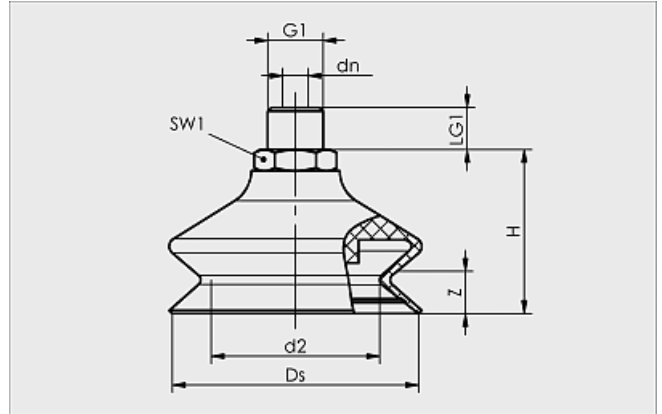
Bellows suction pads FSGA VU1 (1.5 folds)



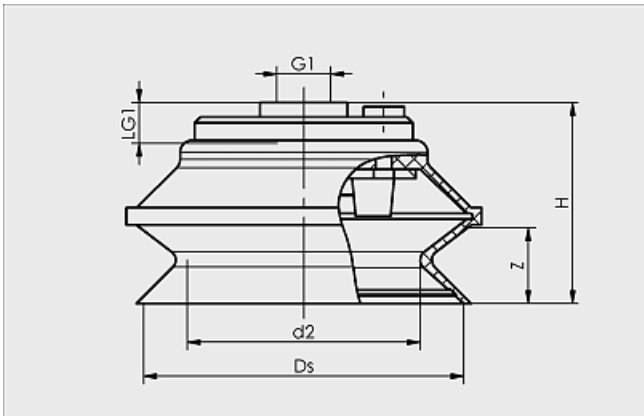
Design data Bellows suction pads FSGA VU1 (1.5 folds)



FSGA 30 to 85 VU1 IG



FSGA 30 to 85 VU1 AG



FSGA 110 VU1 IG

Type	Dimensions in mm*							
	d2	dn	Ds	G1	H	LG1	SW1	Z (Stroke)
FSGA 30 VU1 G1/4-AG	17,0	3,5	29	G1/4"-M	32,0	10	17	8,5
FSGA 30 VU1 G1/4-IG	17,0	3,5	29	G1/4"-F	42,0	12	17	8,5
FSGA 40 VU1 G1/4-AG	26,8	3,5	38	G1/4"-M	31,0	10	17	12,8
FSGA 40 VU1 G1/4-IG	26,8	3,5	38	G1/4"-F	41,0	12	17	12,8
FSGA 50 VU1 G1/4-AG	33,5	3,5	47	G1/4"-M	37,5	10	17	14,5
FSGA 50 VU1 G1/4-IG	33,5	3,5	47	G1/4"-F	47,5	12	17	14,5
FSGA 60 VU1 G1/4-AG	41,0	6,0	59	G1/4"-M	39,0	10	17	12,5
FSGA 60 VU1 G1/4-IG	41,0	6,0	59	G1/4"-F	49,0	12	17	12,5
FSGA 85 VU1 G1/4-AG	55,0	6,0	84	G1/4"-M	52,0	10	22	15,0
FSGA 85 VU1 G1/4-IG	55,0	6,0	84	G1/4"-F	62,0	12	22	15,0
FSGA 110 VU1 G1/2-IG	80,0	-	110	G1/2"-F	69,0	14	-	30,0

*Acceptable dimensional tolerances for rubber parts concerning to M3 - DIN 7715

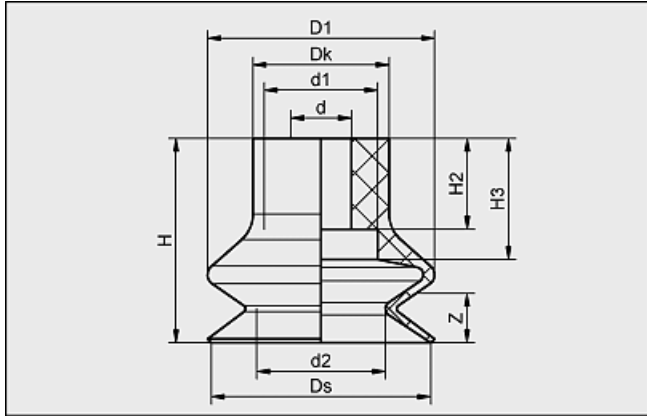
Bellows suction pads (round)



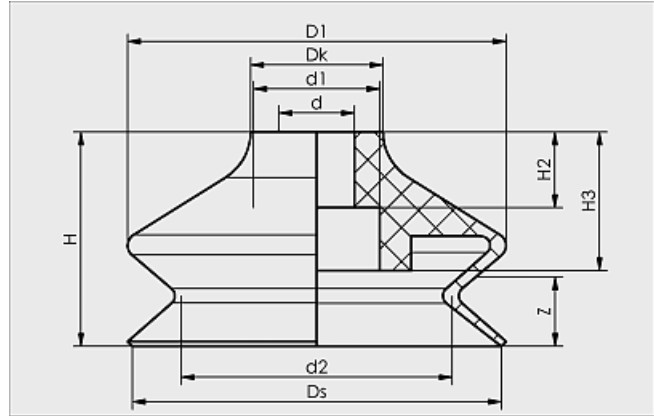
Bellows suction pads FSGA VU1 (1.5 folds)

Vacuum suction pads
2

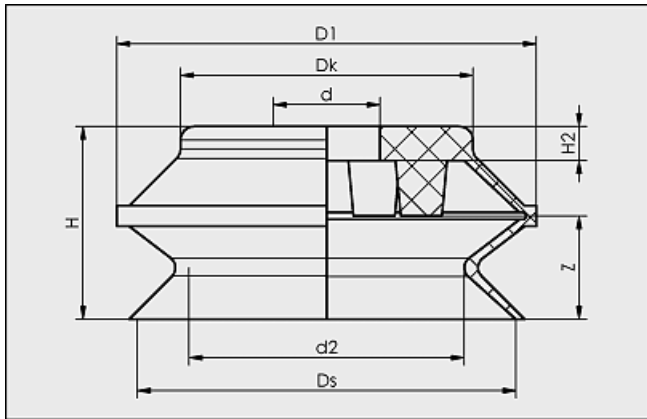
Design data Bellows suction pads FGA VU1 (1.5 folds)



FGA 30 VU1



FGA 40 to 85 VU1



FGA 110 VU1

Type	Dimensions in mm*									
	d	d1	d2	D1	Dk	Ds	H	H2	H3	Z (Stroke)
FGA 30 VU1	8	15,0	17,0	30	18,0	29	27,0	12	16,0	8,5
FGA 40 VU1	8	13,6	26,8	40	14,0	38	27,0	8	11,5	12,8
FGA 50 VU1	8	13,6	33,5	50	17,5	47	32,5	8	18,0	14,5
FGA 60 VU1	12	20,0	41,0	60	21,0	59	34,0	12	22,0	12,5
FGA 85 VU1	12	25,0	55,0	85	25,0	84	47,0	20	32,0	15,0
FGA 110 VU1	30	-	80,0	120	85,0	110	56,0	10	-	30,0

*Acceptable dimensional tolerances for rubber parts concerning to M3 - DIN 7715