

Bellows suction pads (round)

Bellows suction pads FSGA-B (1.5 folds)



Bellows suction pads FSGA-B

Our Highlights...

- Soft tapered sealing lip
- Stiff top fold
- Optimised shape with 1.5 folds

Your Advantages...

- ▶ Very good adaptation to curved or uneven workpiece surfaces
- ▶ Good resistance to horizontal forces at high accelerations
- ▶ High suction force and optimum damping effect during placement on workpiece

Applications

- Packaging materials
- Paper board containers
- Curved or structured surfaces

Designation Code

Short Designation	Diameter in mm	Material and shore hardness	Addition	Connection thread
FSGA-B... with connection nipple	20	CR-60... Chloroprene	S... with filter sieve	G1/8"-IG
FGA-B... without connection nipple	30	SI-50... Silicone		G1/8"-AG
	40			(AG=male; IG=female)
	50			

Ordering Data

Type	Suction pad material* / hardness in Shore A	
	Chloroprene CR-60	Silicone SI-50
FSGA-B 20 1/8 AG-M5 IG	10.01.06.01118	10.01.06.01120
FSGA-B 20 S 1/8 AG-M5 IG	10.01.06.01119	10.01.06.01121
FSGA-B 30 1/8 AG-M5 IG	10.01.06.01122	10.01.06.01124
FSGA-B 30 S 1/8 AG-M5 IG	10.01.06.01123	10.01.06.01125
FSGA-B 40 1/8 IG	10.01.06.01126	10.01.06.01128
FSGA-B 40 S 1/8 IG	10.01.06.01127	10.01.06.01129
FSGA-B 50 1/8 IG	10.01.06.01130	10.01.06.01132
FSGA-B 50 S 1/8 IG	10.01.06.01131	10.01.06.01133

* See Section 2, "Basic Principles of Suction-Pad Materials" for further details of materials

Ordering Data Spare Parts - Suction pads

Type	Suction pad material* / hardness in Shore A	
	Chloroprene CR-60	Silicone SI-50
FGA-B 20	10.01.06.01088	10.01.06.01089
FGA-B 30	10.01.06.01090	10.01.06.01091
FGA-B 40	10.01.06.01092	10.01.06.01093
FGA-B 50	10.01.06.01094	10.01.06.01095

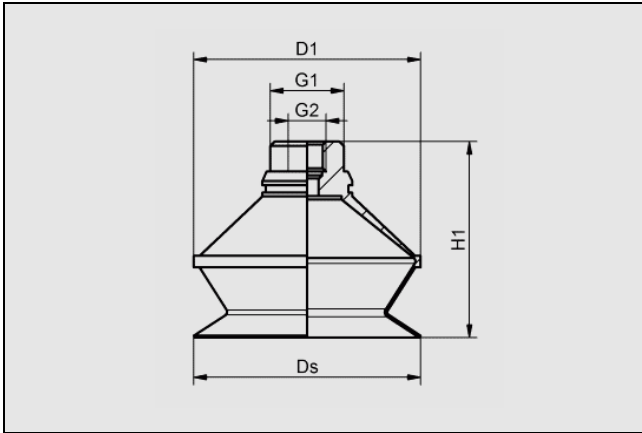
* See Section 2, "Basic Principles of Suction-Pad Materials" for further details of materials

Bellows suction pads (round)

Bellows suction pads FSGA-B (1.5 folds)



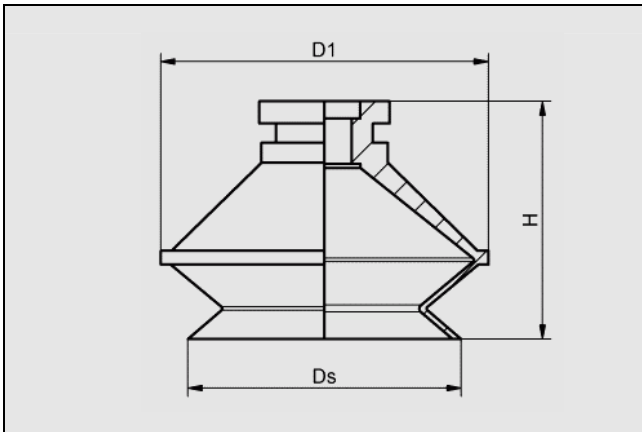
Design Data Bellow suction pad FSGA-B



FSGA-B

Type	Ds	D1	G1	G2	H1
FSGA-B 20 1/8 AG-M5 IG	20	24	G1/8"-M	M5-F	28.5
FSGA-B 30 1/8 AG-M5 IG	30	36	G1/8"-M	M5-F	33.5
FSGA-B 40 1/8 IG	40	46	-	G1/8"-M	36
FSGA-B 50 1/8 IG	50	58	-	G1/8"-M	44

Design Data Bellow suction pad FGA-B



FGA-B

Type	Ds	D1	H
FGA-B 20	20	24	19
FGA-B 30	30	36	26
FGA-B 40	40	46	28
FGA-B 50	50	58	35