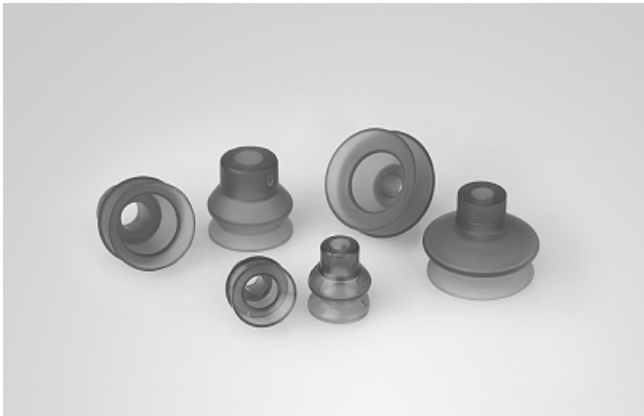


Suction pads for packaging

Bellows suction pads FGA PVC (1.5 folds)



Bellows suction pad FGA PVC



Handling of non-rigid workpieces



Handling of small film-packed cardboard boxes

Our highlights...

- Optimised shape with 1.5 corrugations and large effective internal diameter
- Soft and adaptable sealing lip and bottom corrugation
- Stiffer upper corrugation
- Flexible and adaptable material

Your advantages...

- > Optimised damping effect when positioning on workpiece, high suction force
- > Very good adaptation to curved or uneven surfaces
- > High stability when subjected to horizontal acceleration
- > Optimised sealing properties, even on non-rigid workpieces
- > Long operating lifetime, very wide range of applications

Applications

- Handling of extremely fragile workpieces thanks to damping effect of corrugations and soft sealing lip
- Handling tasks in the packaging industry such as handling of film-packed and blister-packed products and small cardboard boxes
- Suitable for use in box openers or for positioning of labels
- Suitable for handling non-rigid workpieces and soft packaging materials
- Handling tasks in special processes which use chlorinated water, such as rinsing of plastic bags
- Handling of CDs and DVDs

Construction

- Robust and hard-wearing suction pad FG with 2.5 corrugations and single sealing lip
- Very adaptable geometry and soft, flexible material
- Large effective internal diameter

Suction pads for packaging

Bellows suction pads FGA PVC (1.5 folds)



Suitability for branch-specific applications

Designation code Bellows suction pads FGA PVC (1.5 folds)

| Short designation | Diameter in mm | Material and shore hardness |
|---------------------------------|----------------|-----------------------------|
| Example: FGA | 13 | PVC-50 |
| FGA...without connection thread | 13 19 22 | PVC-50 |

Ordering data Bellows suction pads FGA PVC (1.5 folds)

| Type | Article No. |
|---------------|----------------|
| FGA 13 PVC-50 | 10.01.06.01549 |
| FGA 19 PVC-50 | 10.01.06.01975 |
| FGA 22 PVC-50 | 10.01.06.01947 |

*See Section 2, "Basic Principles of Suction-Pad Materials" for further details of materials

Ordering data accessories suction pad nipples Bellows suction pads FGA PVC (1.5 folds)

| Type | M5-AG | G1/8-AG | G1/8-IG |
|------------|----------------|----------------|----------------|
| FGA 13 PVC | - | - | - |
| FGA 19 PVC | - | - | - |
| FGA 22 PVC | 10.01.06.00123 | 10.01.06.05735 | 10.01.06.05731 |

Technical data Bellows suction pads FGA PVC (1.5 folds)

| Type | Suction force [N]* | Pull-off force [N] | Volume [cm ³] | Min. curve radius [mm] (convex) | Recom. internal hose diameter d [mm] |
|---------------|--------------------|--------------------|---------------------------|---------------------------------|--------------------------------------|
| FGA 13 PVC-50 | 1,7 | 6 | 0,5 | 10 | 4 |
| FGA 19 PVC-50 | 5,9 | 10 | 1,6 | 15 | 4 |
| FGA 22 PVC-50 | 5,3 | 16 | 2,3 | 20 | 4 |

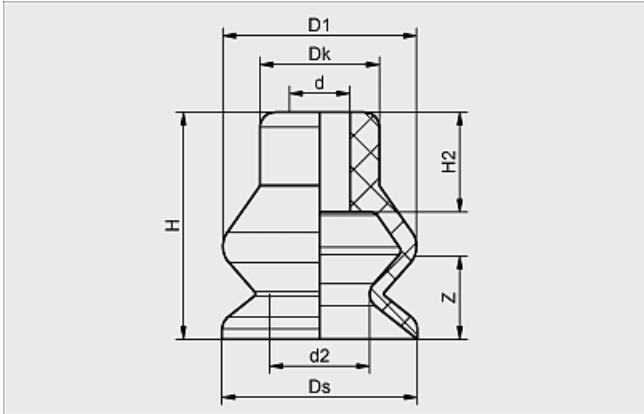
*The specified suction forces are theoretical values at a vacuum of -0.6 bar and with a smooth, dry workpiece surface - they do not include a safety factor

Suction pads for packaging

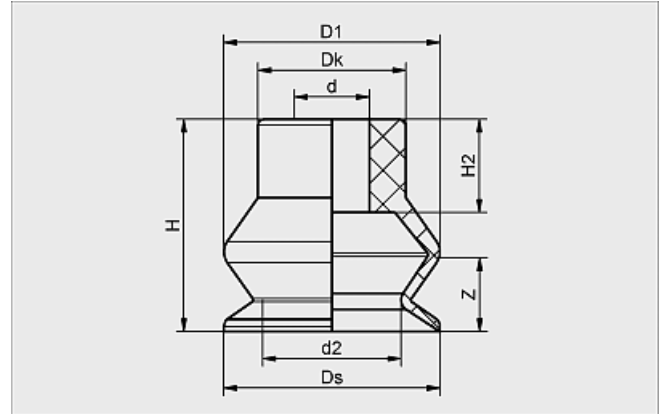
Bellows suction pads FGA PVC (1.5 folds)



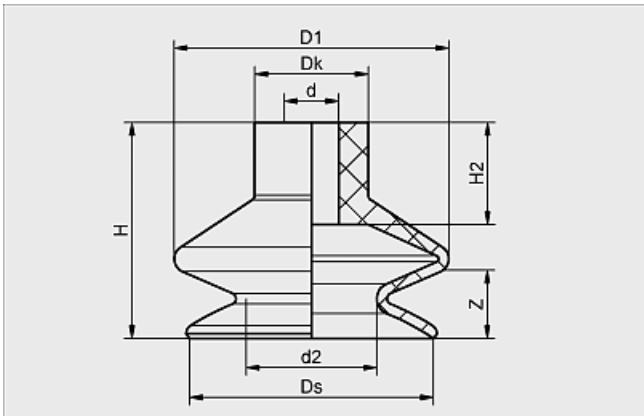
Design data Bellows suction pads FGA PVC (1.5 folds)



FGA 13 PVC-50



FG 19 PVC-50



FGA 22 PVC-50

| Type | Dimensions in mm* | | | | | | | |
|---------------|-------------------|-----|------|------|------|------|-----|------------|
| | D1 | d | d2 | Dk | Ds | H | H2 | Z (Stroke) |
| FGA 13 PVC-50 | 12,8 | 4,0 | 6,6 | 7,9 | 12,9 | 15,0 | 6,6 | 6 |
| FGA 19 PVC-50 | 19,0 | 6,6 | 12,2 | 13,0 | 19,0 | 18,7 | 8,2 | 6 |
| FGA 22 PVC-50 | 24,2 | 4,8 | 11,5 | 10,0 | 21,5 | 19,0 | 9,0 | 7 |

*Acceptable dimensional tolerances for rubber parts concerning to M3 - DIN 7715