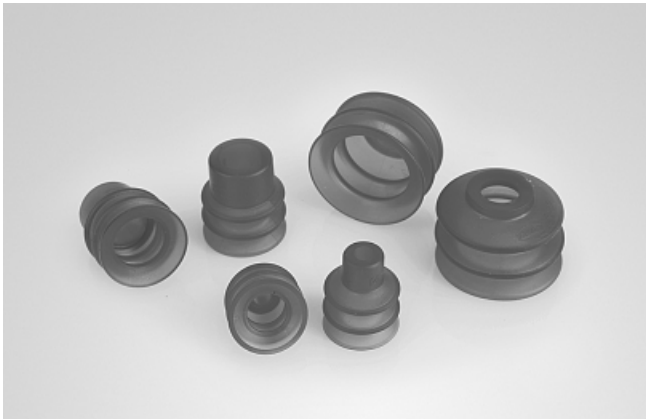


Suction pads for packaging

Bellows suction pads FG PVC (2.5 folds)



Vacuum suction pads
2



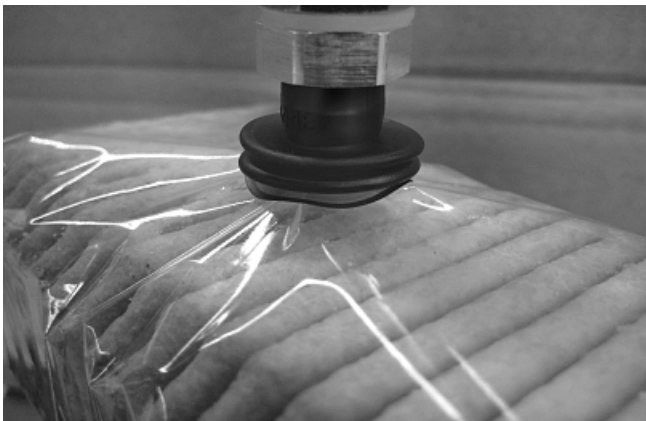
Bellows suction pad FG PVC

Our highlights...

- Optimised shape with 2.5 corrugations and large effective internal diameter
- Soft and flexible sealing lip
- Flexible, adaptable material and soft corrugations
- Hard-wearing material PVC

Your advantages...

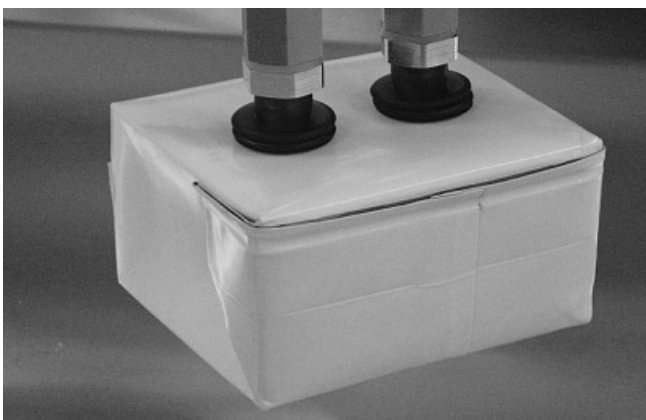
- > Optimised damping effect when positioning on workpiece, high suction force
- > Very good adaptation to curved or uneven surfaces
- > Optimised sealing properties, particularly on non-rigid workpieces
- > Long operating lifetime, very wide range of applications



Handling of film-packed products

Applications

- Handling of extremely fragile workpieces thanks to damping effect of corrugations and soft sealing lip
- Handling tasks in the packaging industry such as handling of film-packed and blister-packed products and small cardboard boxes
- Suitable for use in box openers or for positioning of labels
- Suitable for handling non-rigid workpieces and soft packaging materials
- Handling tasks in special processes which use chlorinated water, such as rinsing of plastic bags
- Handling of CDs and DVDs



Handling of small cardboard boxes

Construction

- Robust and hard-wearing suction pad FG with 2.5 corrugations and single sealing lip
- Very adaptable geometry and soft, flexible material
- Large effective internal diameter

Suitability for branch-specific applications



Suction pads for packaging

Bellows suction pads FG PVC (2.5 folds)



Designation code Bellows suction pads FG PVC (2.5 folds)

Short designation	Diameter in mm	Material and shore hardness
Example: FG	18	PVC-50
FG...without connection thread	18 23 32	PVC-50

Ordering data Bellows suction pads FG PVC (2.5 folds)

Type*	Article No.
FG 18 PVC-50	10.01.06.01941
FG 23 PVC-50	10.01.06.01942
FG 32 PVC-50	10.01.06.01943

*See Section 2, "Basic Principles of Suction-Pad Materials" for further details of materials

Ordering data accessories suction pad nipples Bellows suction pads FG PVC (2.5 folds)

Type	M5-AG	G1/8-AG	G1/4-AG	G1/8-IG	G1/4-IG
FG 18 PVC	10.01.06.00123	10.01.06.05735	-	10.01.06.05731	-
FG 23 PVC	-	-	10.01.05.00122	-	10.01.05.00121
FG 32 PVC	-	10.01.06.02249	-	-	-

Technical data Bellows suction pads FG PVC (2.5 folds)

Type	Suction force [N]*	Pull-off force [N]	Volume [cm ³]	Min. curve radius [mm] (convex)	Recom. internal hose diameter d [mm]
FG 18 PVC-50	3,2	8	1,9	15	4
FG 23 PVC-50	6,6	15	3,4	20	4
FG 32 PVC-50	13,9	24	9,0	30	6

*The specified suction forces are theoretical values at a vacuum of -0.6 bar and with a smooth, dry workpiece surface - they do not include a safety factor

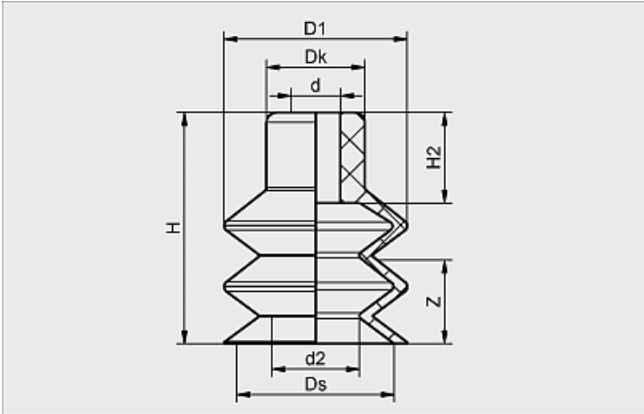
Suction pads for packaging

Bellows suction pads FG PVC (2.5 folds)

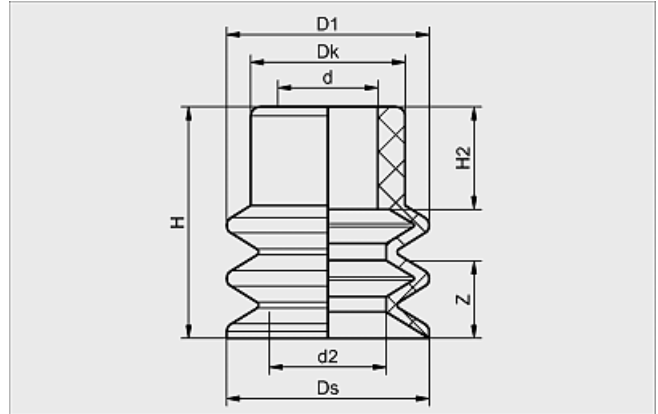


Vacuum suction pads
2

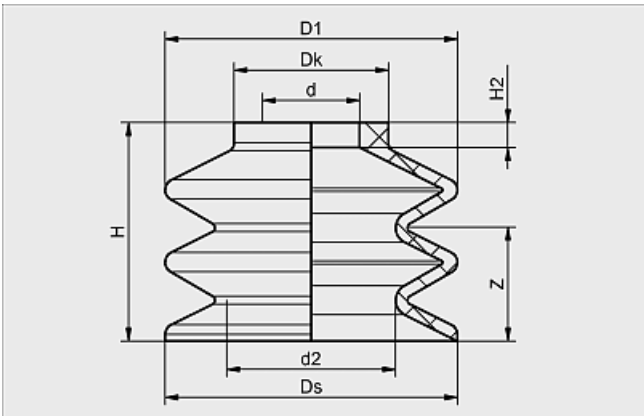
Design data Bellows suction pads FG PVC (2.5 folds)



FG 18 PVC-50



FG 23 PVC-50



FG 32 PVC-50

Type	Dimensions in mm*							
	D1	d	d2	Dk	Ds	H	H2	Z (Stroke)
FG 18 PVC-50	18,6	5,0	8,9	10	16,0	23,5	9,2	9
FG 23 PVC-50	22,3	11,0	12,9	17	22,3	25,5	11,3	9
FG 32 PVC-50	32,2	10,7	18,6	17	32,2	24,0	2,8	13

*Acceptable dimensional tolerances for rubber parts concerning to M3 - DIN 7715