

Vacuum pumps

Oil-lubricated vacuum pumps EVE-OG



Oil-lubricated pump EVE-OG

Our highlights...

- Oil-lubricated vacuum pump
- Multi-vane rotary pump
- Permanently lubricated bearings and powerful cooling fan
- Wide range of models with various outputs

Your advantages...

- > Robust design requiring very little maintenance for almost constant vacuum generation at high vacuum values
- > Vibration-free operation and continuous, low-pulsation output
- > Excellent heat dissipation
- > Input volume flow rate can be adapted to meet customer requirements

Applications

- Manual and automatic handling of various air-tight and porous workpieces
- For use as a central vacuum generator with high maximum vacuum in large vacuum-gripper systems
- For evacuation of vacuum reservoirs

Construction

- Oil-lubricated vacuum pump with integrated oil separator, three-phase power supply, optionally available with additional filter and motor-protection circuit
- Multi-vane rotary vacuum pump with constant, low-pulsation output; very little vibration
- Compact design with integrated cooling fan and permanently lubricated bearings
- Hard-wearing sealing elements in the pump body which can be replaced as necessary

Suitability for branch-specific applications



Designation code Oil-lubricated vacuum pumps EVE-OG

Short designation	Pump type	Suction capacity in m ³ /h	Supply voltage	Additional function
Example: EVE	OG	100	AC3	F
EVE	OG...oil-lubricated	40 to 255	AC3...three-phase	-...without additional filter F...with additional filter

Ordering data Oil-lubricated vacuum pumps EVE-OG

Type*	Vacuum pump**	Vacuum pump with additional filter**
EVE-OG 40 AC3	10.03.02.00026	10.03.02.00031
EVE-OG 63 AC3	10.03.02.00027	10.03.02.00032
EVE-OG 100 AC3	10.03.02.00028	10.03.02.00033
EVE-OG 165 AC3	10.03.02.00048	10.03.02.00049
EVE-OG 255 AC3	10.03.02.00051	10.03.02.00052

*Motorprotection with thermoelement as standard

**50 Hz standard, 60 Hz to order

Vacuum pumps

Oil-lubricated vacuum pumps EVE-OG



Ordering data spare parts and accessories Oil-lubricated vacuum pumps EVE-OG

Type	Maintenance kit for vacuum pumps*	Filter cartridge for additional filter	Type	Motor protection switch**	Replacement oil
EVE-OG 40 AC3	-	10.07.01.00018	EVE-OG 40 AC3	10.04.04.00120	27.02.01.00029
EVE-OG 63 AC3	10.03.02.00055	10.07.01.00018	EVE-OG 63 AC3	10.04.04.00120	27.02.01.00035
EVE-OG 100 AC3	10.03.02.00055	10.07.01.00018	EVE-OG 100 AC3	10.04.04.00121	27.02.01.00035
EVE-OG 165 AC3	-	10.07.01.00020	EVE-OG 165 AC3	10.04.04.00123	27.02.01.00037
EVE-OG 255 AC3	-	10.07.01.00020	EVE-OG 255 AC3	10.04.04.00124	27.02.01.00037

*Contains parts of the pump which are subject to wear

**For voltage 400 V / 50 Hz



Technical data Oil-lubricated vacuum pumps EVE-OG

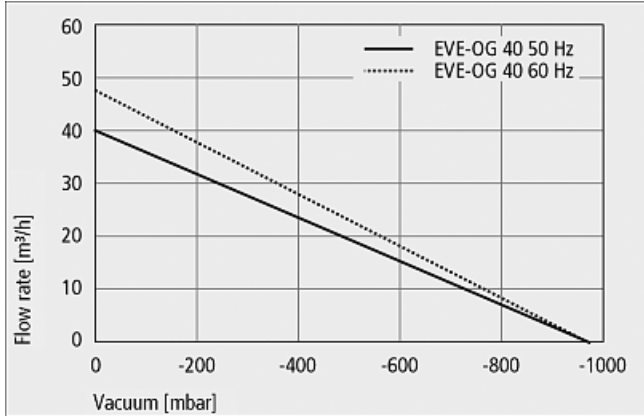
Type	Max. vacuum [mbar]	Suction rate at 50 Hz [m³/h]	Voltage at 50 Hz	Current range (50 Hz)	Rated power [kW] at 50 Hz	Protection IP	Weight [kg]	Noise level at 50 Hz [db(A)]
EVE-OG 40 AC3	-980	40	200-240V or 345-420V	4,8A or 2,8A	1,1	IP 54	38	64
EVE-OG 63 AC3	-980	63	200-240V or 345-420V	6,2A or 3,6A	1,5	IP 54	52	65
EVE-OG 100 AC3	-980	100	200-240V or 345-420V	8,8A or 5,0A	2,2	IP 54	70	67
EVE-OG 165 AC3	-980	165	200-240V or 345-420V	16,6A or 9,6A	4,0	IP 54	160	70
EVE-OG 255 AC3	-980	255	200-240V or 345-420V	23,8A or 13,8A	5,5	IP 54	190	72

Vacuum pumps

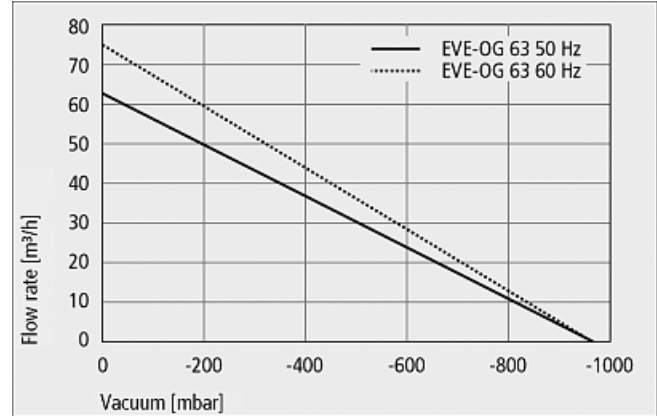
Oil-lubricated vacuum pumps EVE-OG



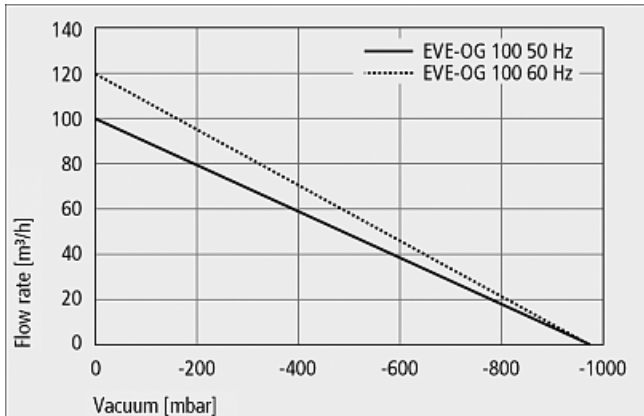
Performance data Oil-lubricated vacuum pumps EVE-OG



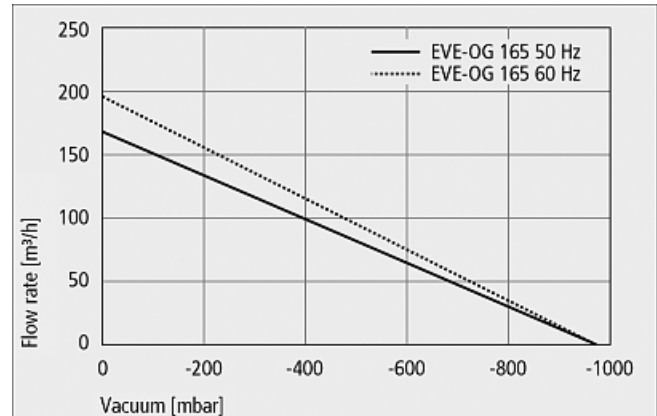
Suction capacity at various degrees of evacuation



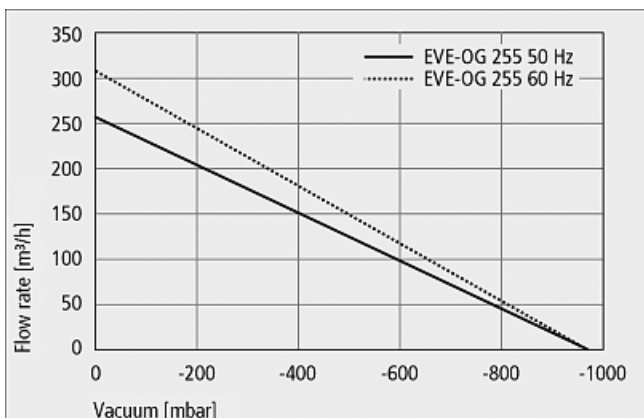
Suction capacity at various degrees of evacuation



Suction capacity at various degrees of evacuation



Suction capacity at various degrees of evacuation



Suction capacity at various degrees of evacuation

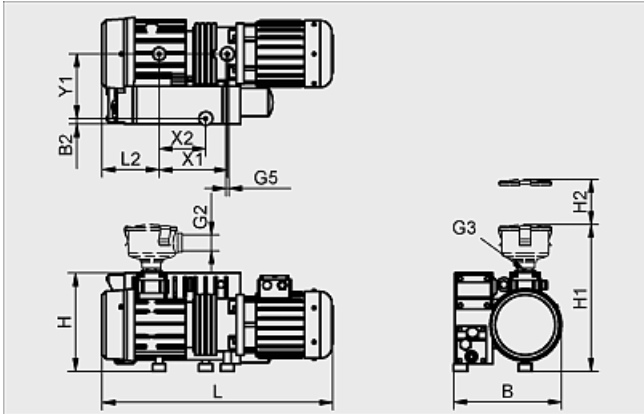
Vacuum generators
5

Vacuum pumps

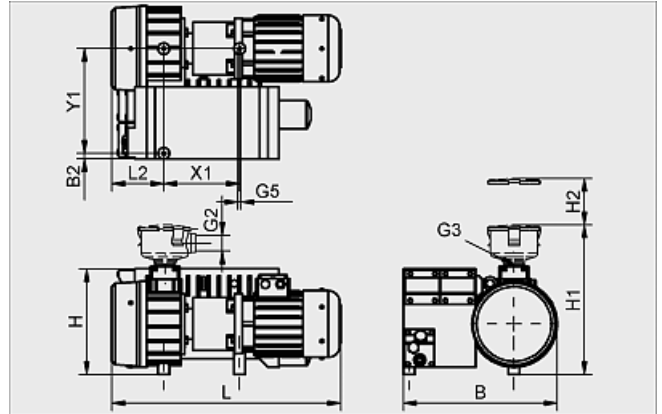
Oil-lubricated vacuum pumps EVE-OG



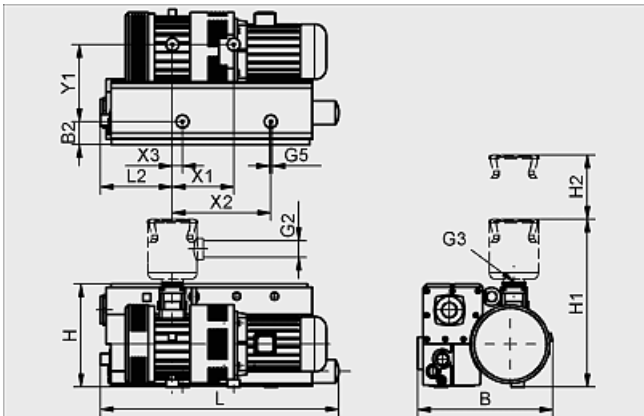
Design data Oil-lubricated vacuum pumps EVE-OG



EVE-OG 40 AC3 (F)



EVE-OG 63 to 100 AC3 (F)



EVE-OG 165 to 255 AC3 (F)

Design data Oil-lubricated vacuum pumps EVE-OG

Type	Dimensions in mm													
	B	B2	G2	G3	G5	H	H1	H2	L	L2	X1	X2	X3	Y1
EVE-OG 40 AC3	284	15	-	G1-1/4-F	M8-F	265	-	-	610	151	181	123	-	171
EVE-OG 40 AC3 F	284	15	G1-1/4-F	G1-1/4-F	M8-F	265	390	75	610	151	181	123	-	171
EVE-OG 63 AC3	406	15	-	G1-1/4-F	M8-F	280	-	-	604	137	200	-	-	277
EVE-OG 63 AC3 F	406	15	G1-1/4-F	G1-1/4-F	M8-F	280	417	75	604	137	200	-	-	277
EVE-OG 100 AC3	406	15	-	G1-1/4-F	M8-F	280	-	-	694	170	227	-	-	277
EVE-OG 100 AC3 F	406	15	G1-1/4-F	G1-1/4-F	M8-F	280	417	75	694	170	227	-	-	277
EVE-OG 165 AC3	535	92	-	G2-F	M10-F	408	-	-	945	285	243	390	40	305
EVE-OG 165 AC3 F	535	92	G2-1/2-F	G2-F	M10-F	408	680	240	945	285	243	390	40	305
EVE-OG 255 AC3	535	47	-	G2-F	M10-F	408	-	-	945	300	303	390	-	350
EVE-OG 255 AC3 F	535	47	G2-1/2-F	G2-F	M10-F	408	680	240	945	300	303	390	-	350