

Hoses and connectors

Sealing ring DR



Sealing rings DR

Our highlights...

- Sealing rings made of polyamide PA
- Optionally available with integrated fixing facility (Easy-Fix)
- Wide range of diameters

Your advantages...

- > Excellent sealing properties
- > Sealing ring cannot be lost when mounting and removing the connecting element
- > The ideal solution for complete hose-connection systems

Applications

- Sealing of connection nipples and other connecting elements



Construction

- Polyamide sealing ring Easy-Fix with internal locking element to secure the ring on the thread

Suitability for branch-specific applications

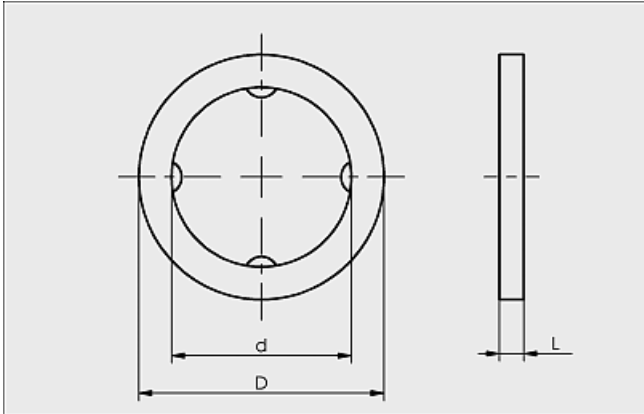


Ordering data Sealing ring DR

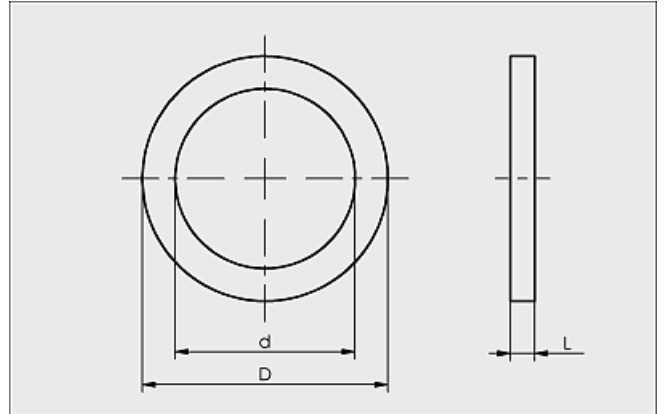
Type	Sealing ring Basic	Sealing ring Easy-Fix*
DR M3	10.07.08.00018	-
DR M5	10.07.08.00019	10.07.08.00245
DR G1/8	10.07.08.00020	10.07.08.00247
DR G1/4	10.07.08.00021	10.07.08.00248
DR G3/8	10.07.08.00022	10.07.08.00249
DR G1/2	10.07.08.00023	10.07.08.00250
DR G3/4	10.07.08.00024	10.07.08.00251
DR G1	10.07.08.00025	10.07.08.00252
DR G1 1/4	10.07.08.00026	-
DR G1 1/2	10.07.08.00027	-

*Sealing ring with inner centering pins. Ensures optimal sealing. Cannot slip off the thread when the screw connection is opened.

Design data Sealing ring DR



DR Easy-Fix



DR

Type	Dimensions in mm		
	d	D	L
DR M3	4	6	1,0
DR M5	5	8	1,2
DR G1/8	10	15	1,5
DR G1/4	14	18	1,5
DR G3/8	17	22	2,0
DR G1/2	22	26	1,5
DR G3/4	27	33	2,0
DR G1	34	39	2,0
DR G1 1/4	42	49	3,0
DR G1 1/2	48	55	2,0