

Vacuum filters

Vacuum filter VF / STF / STF-D



Vacuum filter VF / STF

Our highlights...

- Wide range of sizes with various performance figures
- Replaceable filter cartridges
- Filter elements with almost 100% removal of dust and dirt
- Optionally with monitoring of the degree of contamination of the filter cartridge

Your advantages...

- > The right filter for each vacuum generator
- > Low operating costs, environmentally friendly design
- > Optimum protection of vacuum generators against dust and dirt
- > Maximum system availability

Applications

- Protection of easily damaged vacuum generators (such as pumps and blowers) by filtering the incoming air
- For use in dusty surroundings; removal of almost 100% of the dust and dirt

Construction

- Vacuum filter type VF: aluminum filter house, cover screwed on, filter cartridge with wire mesh (VF 1-4) or paper (VF 3-8) filter
- Vacuum filter type STF N: sheet-steel filter housing, cover clipped on, filter cartridge with special paper filter
- Vacuum filter types STF P: plastic filter housing, cover clipped on, with mounting bracket, filter cartridge with special paper filter, large-size connections
- Type STF-D P: with additional pressure monitor for measuring the degree of contamination



Suitability for branch-specific applications

Ordering data Vacuum filter VF / STF / STF-D

Type*	Article No.
VF-6 G1/4-IG 15	10.07.01.00003
VF-10 G3/8-IG 30	10.07.01.00004
STF G3/4-IG N	10.07.01.00007
STF G1-1/4-IG N	10.07.01.00008
STF G2-1/2-IG N	10.07.01.00010
STF 60 P 4.5 SSD	10.07.01.00259
STF 60 P 6.0 SSD	10.07.01.00260
STF 80 P 8.0 SSD	10.07.01.00263
STF-D 60 P 4.5 F SSD	10.07.01.00266
STF-D 60 P 6.0 F SSD	10.07.01.00262
STF-D 80 P 8.0 F SSD	10.07.01.00265

*Additional function: F = Filter monitoring

Vacuum filters

Vacuum filter VF / STF / STF-D



Ordering data spare parts and accessories Vacuum filter VF / STF / STF-D

Type	Mounting bracket	Type	Replacement filter cartridge
VF-6 G1/4-IG 15	10.07.01.00011	VF-6 G1/4-IG 15	10.07.01.00013
VF-10 G3/8-IG 30	10.07.01.00011	VF-10 G3/8-IG 30	10.07.01.00014
STF G3/4-IG N	-	STF G3/4-IG N	10.07.01.00017
STF G1-1/4-IG N	-	STF G1-1/4-IG N	10.07.01.00018
STF G2-1/2-IG N	-	STF G2-1/2-IG N	10.07.01.00020
STF 60 P 4.5 SSD	-	STF 60 P 4.5 SSD	10.07.01.00060
STF 60 P 6.0 SSD	-	STF 60 P 6.0 SSD	10.07.01.00054
STF 80 P 8.0 SSD	-	STF 80 P 8.0 SSD	10.07.01.00079
STF-D 60 P 4.5 F SSD	-	STF-D 60 P 4.5 F SSD	10.07.01.00060
STF-D 60 P 6.0 F SSD	-	STF-D 60 P 6.0 F SSD	10.07.01.00054
STF-D 80 P 8.0 F SSD	-	STF-D 80 P 8.0 F SSD	10.07.01.00079



Technical data Vacuum filter VF / STF / STF-D

Type*	Nominal flow rate [m³/h]	Nominal flow rate [l/min]	Max. vacuum [mbar]	Filter pore size [µm]	Weight [kg]
VF-6 G1/4-IG 15*	6	100	-950	15	0,13
VF-10 G3/8-IG 30*	10	166	-950	30	0,22
STF G3/4-IG N**	42	700	-950	3	0,50
STF G1-1/4-IG N**	96	1600	-950	3	1,00
STF G2-1/2-IG N**	360	6000	-950	3	4,30
STF 60 P 4.5 SSD**	270	4500	-500	3	2,00
STF 60 P 6.0 SSD**	360	6000	-500	3	2,40
STF 80 P 8.0 SSD**	480	8000	-500	3	2,60
STF-D 60 P 4.5 F SSD**	270	4500	-500	3	2,10
STF-D 60 P 6.0 F SSD**	360	6000	-500	3	2,40
STF-D 80 P 8.0 F SSD**	480	8000	-500	3	2,60

*Suitable for overpressure

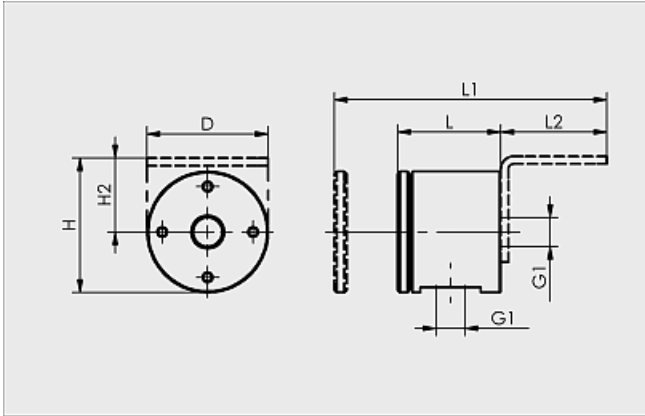
**Conditionally suitable for overpressure

Vacuum filters

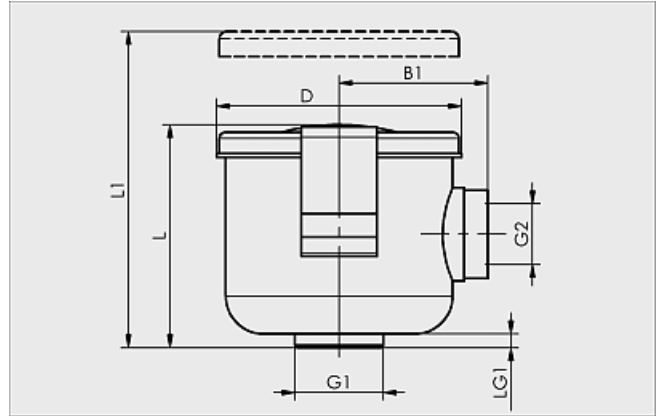
Vacuum filter VF / STF / STF-D



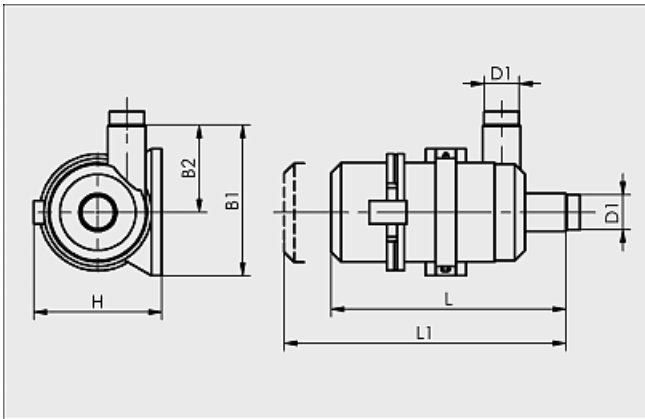
Design data Vacuum filter VF / STF / STF-D



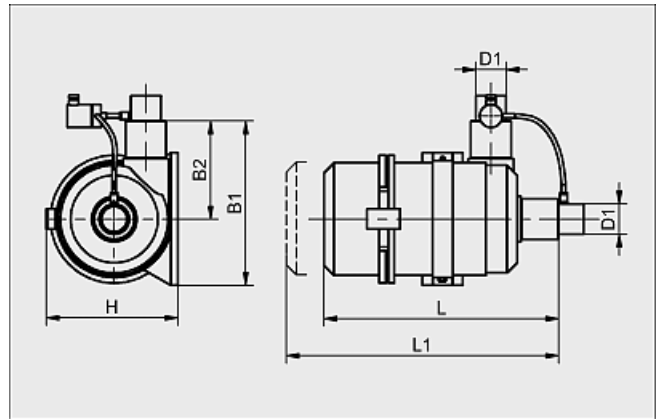
VF G1/4 to G3/8



STF G3/4 to STF G2-1/2



STF 60 / STF 80



STF-D 60 / STF-D 80

Type	Dimensions in mm											
	B1	B2	D	D1	G1	G2	H	H2	L	L1	L2	LG1
VF-6 G1/4-IG 15	-	-	48	-	G1/4"-F	-	54	30	41	108	42	-
VF-10 G3/8-IG 30	-	-	48	-	G3/8"-F	-	54	30	70	157	42	-
STF G3/4-IG N	59	-	97	-	G3/4"-F	G3/4"-F	-	-	89	159	-	5,5
STF G1-1/4-IG N	81	-	136	-	G1-1/4"-F	G1-1/4"-F	-	-	116	191	-	17,0
STF G2-1/2-IG N	123	-	200	-	G2-1/2"-F	G2-1/2"-F	-	-	250	490	-	12,0
STF 60 P 4.5 SSD	221	112	-	60	-	-	218	-	355	-	-	-
STF 60 P 6.0 SSD	265	142	-	60	-	-	253	-	394	-	-	-
STF 80 P 8.0 SSD	280	148	-	80	-	-	260	-	415	-	-	-
STF-D 60 P 4.5 F SSD	221	112	-	60	-	-	218	-	355	-	-	-
STF-D 60 P 6.0 F SSD	265	142	-	60	-	-	253	-	394	-	-	-
STF-D 80 P 8.0 F SSD	280	148	-	80	-	-	260	-	415	-	-	-

