

Hoses and connectors

Hose clamp SSB/SSD



Hose clamps SSB/SSD

Our highlights...

- Hose clamps with diameters up to 84 mm
- High clamping forces due to robust clamping screw

Your advantages...

- > To fit all vacuum hoses in our product range
- > Secure clamping of all vacuum hoses, including those with wire spirals

Applications

- Hose clamp SSB for securing smooth hoses
- Hose clamp SSD for securing hoses with wire reinforcement

Construction

- Hose clamp made of galvanized steel
- Robust clamping screw for safe clamping



Suitability for branch-specific applications



Ordering data Hose clamp SSB/SSD

Type	Article No.	Protection caps
SSB 10-16	10.07.10.00001	20.12.01.00036
SSB 16-27	10.07.10.00002	20.12.01.00036
SSB 20-32	10.07.10.00003	20.12.01.00036
SSB 35-50	10.07.10.00004	20.12.01.00036
SSB 40-60	10.07.10.00005	20.12.01.00036
SSB 45-67	10.07.10.00038	-
SSB 60-80	10.07.10.00006	20.12.01.00036
SSD 35-40	10.07.10.00018	-
SSD 43-49	10.07.10.00020	-
SSD 60-68	10.07.10.00017	-
SSD 76.5-84	10.07.10.00037	-

Hoses and connectors

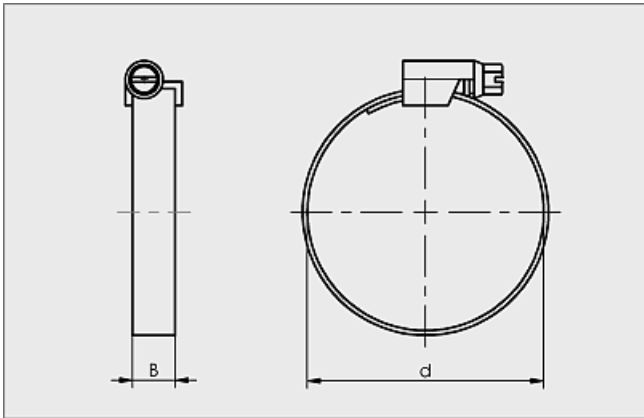
Hose clamp SSB/SSD



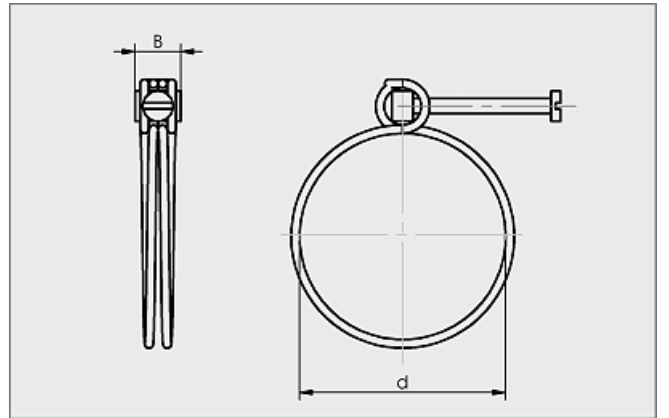
Technical data Hose clamp SSB/SSD

Type	Clamping range	Material
SSB 10-16	10 - 16 mm	Steel galvanised
SSB 16-27	16 - 27 mm	Steel galvanised
SSB 20-32	20 - 32 mm	Steel galvanised
SSB 35-50	35 - 50 mm	Steel galvanised
SSB 40-60	40 - 60 mm	Steel galvanised
SSB 45-67	45 - 67 mm	Steel galvanised
SSB 60-80	60 - 80 mm	Steel galvanised
SSD 35-40	35 - 40 mm	Steel galvanised
SSD 43-49	43 - 49 mm	Steel galvanised
SSD 60-68	60 - 68 mm	Steel galvanised
SSD 76.5-84	76.5 - 84 mm	Steel galvanised

Design data Hose clamp SSB/SSD



SSB 10-16 to 60-80



SSD 35-40 to 76.5-84

Type	Dimensions in mm	
	B	d
SSB 10-16	9	16
SSB 16-27	9	25
SSB 20-32	9	32
SSB 35-50	9	50
SSB 40-60	9	60
SSB 45-67	16	67
SSB 60-80	9	80
SSD 35-40	13	40
SSD 43-49	15	49
SSD 60-68	15	68
SSD 76.5-84	18	84