

# Hoses and connectors

## Rotary inlet DEF



Rotary inlets DEF

### Our highlights...

- Rotary inlet for connection to rotating machine elements
- Made of high-strength aluminium and steel

### Your advantages...

- > Connection of compressed air or vacuum even to fast-moving machine elements or grippers
- > Long lifetime, no maintenance needed

### Applications

- Supplying fast-moving machine parts or rotating gripper systems with compressed air or vacuum



### Construction

- Rotary inlet with steel rotor and body made of high-strength aluminium

### Suitability for branch-specific applications

### Designation code Rotary inlet DEF

Short designation	Shape	Max. Speed
Example: DEF	R	3500
DEF	R...Right-handed thread	250
	L...Left-handed thread	3500
	GE...Straight	21
	W...Angled	

### Ordering data Rotary inlet DEF

Type	Article No.
DEF R 250	10.07.03.00001
DEF R 3500	10.07.03.00002
DEF L 3500	10.07.03.00003
DEF GE 21	10.07.03.00005
DEF W 21	10.07.03.00006

### Technical data Rotary inlet DEF

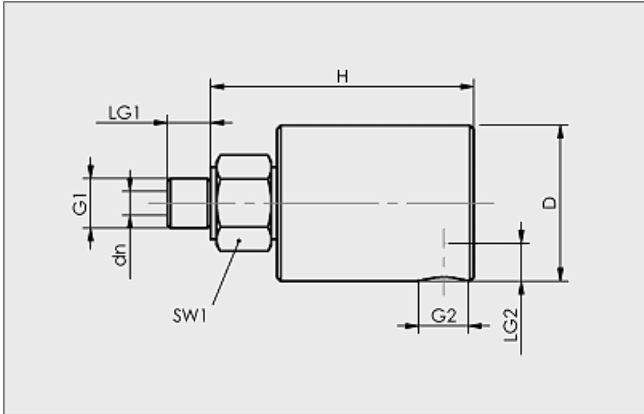
Type	Max. speed [1/min]	Weight [g]
DEF R 250	250	300
DEF R 3500	3500	400
DEF L 3500	3500	400
DEF GE 21	21	100
DEF W 21	21	100

# Hoses and connectors

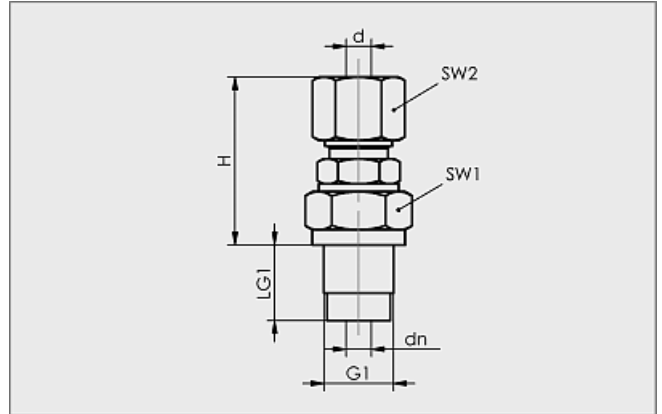
## Rotary inlet DEF



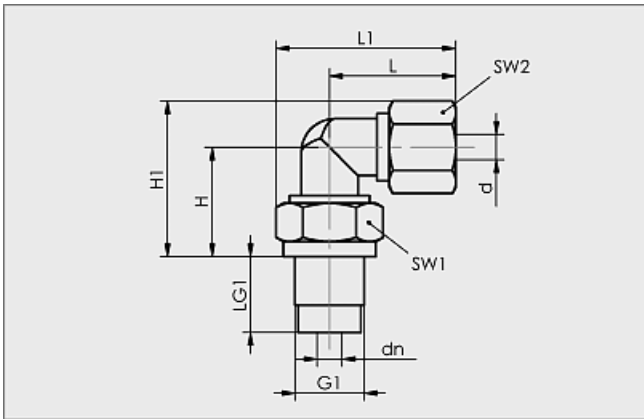
### Design data Rotary inlet DEF



DEF R 250, R 3500, L 3500



DEF GE 21



DEF W 21

Type	Dimensions in mm												
	D	d	dn	G1	G2	H	H1	L	L1	LG1	LG2	SW1	SW2
DEF R 250	38,0	-	8,0	M16x2-M	R1/4"-F	68,0	-	-	-	14,5	14,5	22	-
DEF R 3500	41,2	-	6,4	G1/4"-M	R1/4"-F	69,5	-	-	-	11,5	20,6	22	-
DEF L 3500	41,2	-	6,4	G1/4"-M	R1/4"-F	69,5	-	-	-	11,5	20,6	22	-
DEF GE 21	-	8	6,0	G3/8"-M	-	40,0	-	-	-	18,0	-	22	19
DEF W 21	-	8	6,0	G3/8"-M	-	26,0	37	30	43	18,0	-	22	19