

Vacuum switches

Vacuum switch VS-V-W-D



Vacuum switches VS-V-W-D

Our highlights...

- Electronic vacuum switch with digital display
- Switching point and hysteresis programmable with the foil keypad
- Two separately programmable digital outputs
- Special functions programmable

Your advantages...

- > Electronically precise switching with two separate switch outputs
- > Can be adapted easily to meet customer requirements
- > Upper and lower limit values can be displayed
- > Further adaptation possible

Applications

- Universal electronic vacuum switch for safety monitoring, optimization of cycle times and regulation circuits
- Small size and low weight permit installation directly at the point of use in handling systems
- Cubical design also suitable for panel mounting

Construction

- Electronic vacuum switch in a robust polycarbonate housing
- Vacuum connection with G 1/8" female thread
- 3-digit display and foil keypad on the front for adjustment of the settings
- Integrated LED for indication of the switching state
- Supply voltage via 4-pin M8 screw connector



Suitability for branch-specific applications

Designation code Vacuum switch VS-V-W-D

Short designation	Measuring range	Shape	Display	Switching function	Additional function
Example: VS	V	W	D	PNP	C
VS	V...-1 to 0 bar	W...cube shape	D...with digital display	PNP...switches to + NPN...switches to -	C...with PIN-code protection

Ordering data Vacuum switch VS-V-W-D

Type	Article No.
VS-V-W-D-PNP	10.06.02.00113
VS-V-W-D-NPN	10.06.02.00126
VS-V-W-D-PNP-C	10.06.02.00271

Vacuum switches

Vacuum switch VS-V-W-D



Ordering data accessories Vacuum switch VS-V-W-D

Type	Article No.
Connection cable PUR, 5 m, straight, with mounting nut M8	10.06.02.00031
Connection cable PUR, 5 m, 90°, with mounting nut M8	10.06.02.00032
Flange plate for dir. mount. and press. conn. G1/8"-IG on the side*	10.06.02.00116
Mounting frame	10.06.02.00115
Mounting bracket	10.06.02.00154
Connection hose for reference air (for IP65), ordering unit: metres	10.07.09.00063

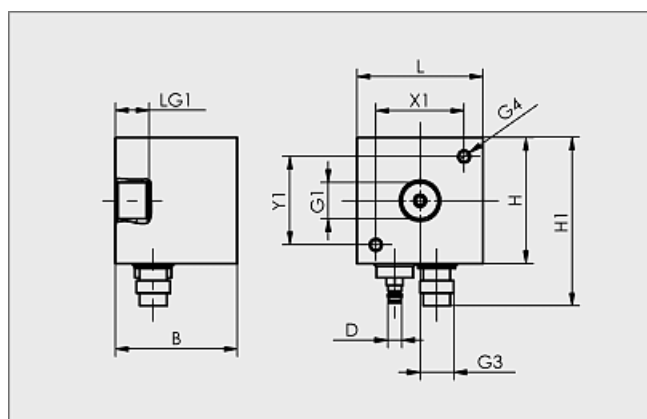
!Note: See "Connection Options" in this section for more connection possibilities

*Complete with 2 screws M3x6 and O-ring seal 10x1.5



Technical data Vacuum switch VS-V-W-D

Type	VS-V-W-D
Measured medium	Non-aggressive gases; dry, oil-free air
Measuring range	-1...0 bar
Max. overpressure resistance [bar]	5
Repeatability	± 1% of full-scale value
Hysteresis	Adjustable: 0 to 100% of set value or comparator mode
Output signal	2 digital
Switching capacity [mA]	180
Indication	2xLED
Display resolution	0 bar, 5 mmHg, 0.2 inHg, 1 kPa
Display units	bar, mmHg, inHg, kPa
Measured-value display	3-digit 7-segment LED
Electrical connection	Male connect M8, 4 pol
Measured medium connection	Thread G1/8-F
Voltage	10.8-30V DC
Current consumption [mA]	55
Protection IP	IP 40/65 (with hose)
Temperature influence	± 3% of full-scale value in the range 0 to 50°C
Operating temperature [°C]	0...50 °C
Weight [g]	25



VS-V-W-D



Design data Vacuum switch VS-V-W-D

Type	Dimensions in mm					
	B	D	G1	G3	G4	H
VS-V-W-D	29	3,4	G1/8-F	M8x1-M	M3-F	30

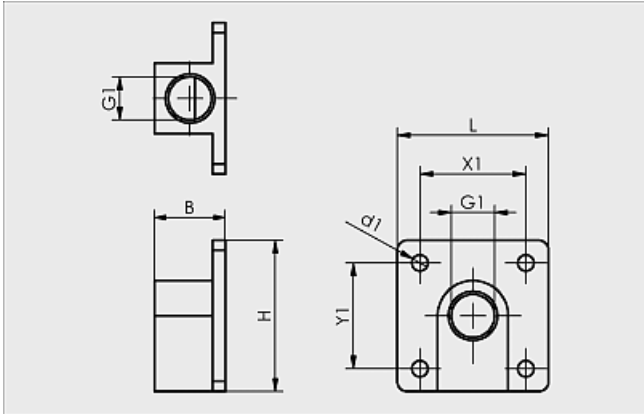
Type	Dimensions in mm				
	H1	L	LG1	X1	Y1
VS-V-W-D	40	30	8	21	21

Vacuum switches

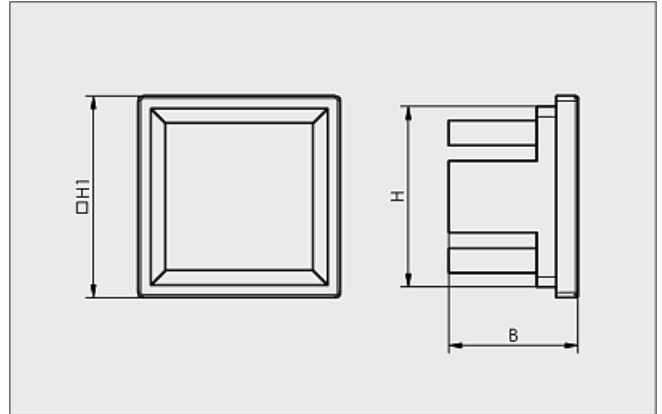
Vacuum switch VS-V-W-D



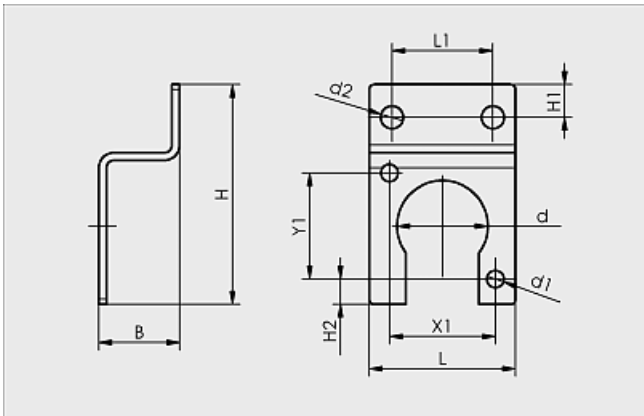
Design data accessories Vacuum switch VS-V-W-D



Flange plate



Mounting frame



Mounting bracket

Type	Dimensions in mm											
	B	d	d1	d2	G1	H	H1	H2	L	L1	X1	Y1
Flange plate	14,0	-	3,2	-	G1/8-F	30,0	-	-	30,0	-	21	21
Mounting frame	25,6	-	-	-	-	36,0	40,0	-	-	-	-	-
Mounting bracket	16,0	18	3,4	4,5	-	43,5	6,5	5	29,0	20	21	21