

Vacuum switches

Vacuum switch VS-V-AH/AV-T



Vacuum switches VS-V-AV/AH-T

Our highlights...

- Switching points adjustable with the "teach" button
- Two digital switch outputs
- Two-color LED indicator
- For vertical or horizontal mounting
- Electronic vacuum sensor
- Current switching capacity 200 mA

Your advantages...

- >Quick adjustment of the process
- >Makes further switching elements unnecessary
- >Easily visible status indication
- >Space-saving installation
- >Very precise switching and repeatability
- >Direct switching possible

Applications

- Electronic safety monitoring, optimization of cycle times, energy-saving functions
- Can be used as a measuring and switching element
- Suitable for use in very dynamic handling systems

Construction

- Plastic housing in 10-mm design
- Adapter plate for quick mounting, either vertically or horizontally
- Teach button integrated into the cover
- Transparent cover over the LED indicator
- Power and control connections via 4-pin M8 connector
- Optionally available with M5 vacuum connection or 6-mm plug-in tube



Suitability for branch-specific applications

Designation code Vacuum switch VS-V-AH/AV-T

Short designation	Measuring range	Connections	Switching point adjustment	Switching function	Additional function
Example: VS	V	AV	T	PNP	S
VS	V...-1 to 0 bar	AH...horizontal AV...vertical	T...with "Teach" button	PNP..switches to +	...hysteresis adjustable S...hysteresis fixed

Ordering data Vacuum switch VS-V-AH/AV-T

Type	Article No.
VS-V-AH-T-PNP-S	10.06.02.00294
VS-V-AH-T-PNP	10.06.02.00295
VS-V-AV-T-PNP-S	10.06.02.00292
VS-V-AV-T-PNP	10.06.02.00293

Vacuum switches

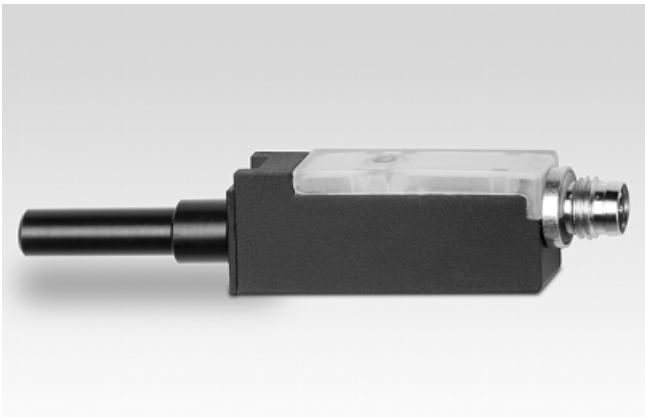
Vacuum switch VS-V-AH/AV-T



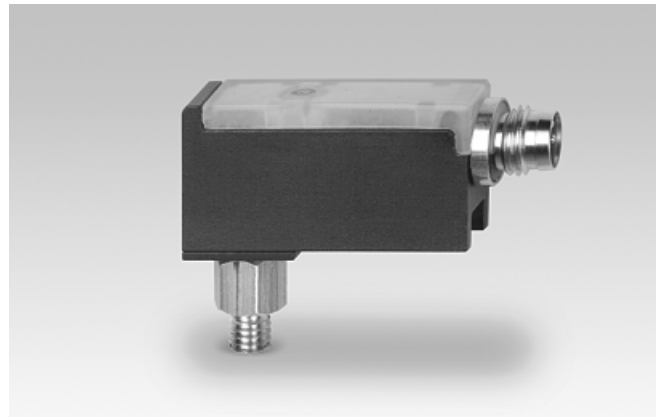
Ordering data accessories Vacuum switch VS-V-AH/AV-T

Connection cable 4-pole		Connection adapter optional	
Material PUR, 5 m, straight	Material PUR, 5 m, 90°	Plug-in tube D6	Screw thread M5-AG
10.06.02.00031	10.06.02.00032	10.06.02.00300	10.06.02.00299

Accessories Vacuum switch VS-V-AH/AV-T



VS-V-AV-T-PNP with plug-in tube D6



VS-V-AH-T-PNP with screw thread M5-AG

Technical data Vacuum switch VS-V-AH/AV-T

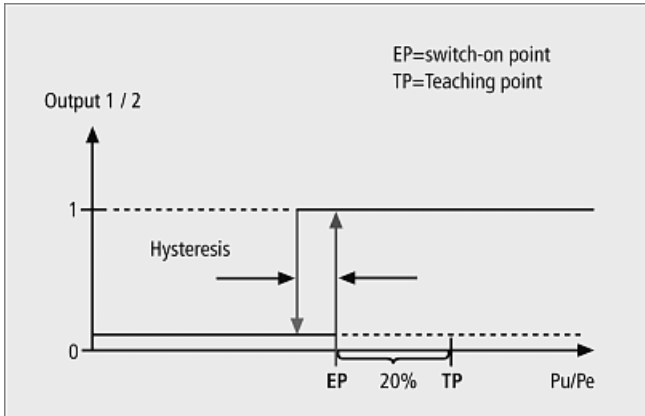
Type	VS-V-AH-T-PNP-S	VS-V-AH-T-PNP	VS-V-AV-T-PNP-S	VS-V-AV-T-PNP
Measured medium	Non-aggressive gases; dry, oil-free air	Non-aggressive gases; dry, oil-free air	Non-aggressive gases; dry, oil-free air	Non-aggressive gases; dry, oil-free air
Measuring range	-1...0 bar	-1...0 bar	-1...0 bar	-1...0 bar
Max. overpressure resistance [bar]	5	5	5	5
Repeatability	± 1% of full-scale value	± 1% of full-scale value	± 1% of full-scale value	± 1% of full-scale value
Hysteresis	Fixed: approx. 20 mbar	Adjustable	Fixed: approx. 20 mbar	Adjustable
Output signal	2 digital	2 digital	2 digital	2 digital
Switching capacity [mA]	200	200	200	200
Indication	LED	LED	LED	LED
Electrical connection	Male connect M8, 4 pol	Male connect M8, 4 pol	Male connect M8, 4 pol	Male connect M8, 4 pol
Voltage	10-30V DC	10-30V DC	10-30V DC	10-30V DC
Current consumption [mA]	20	20	20	20
Protection IP	IP 40	IP 40	IP 40	IP 40
Temperature influence	± 3% of full-scale value	± 3% of full-scale value	± 3% of full-scale value	± 3% of full-scale value
Operating temperature [°C]	0...60 °C	0...60 °C	0...60 °C	0...60 °C
Weight [g]	6	6	6	6

Vacuum switches

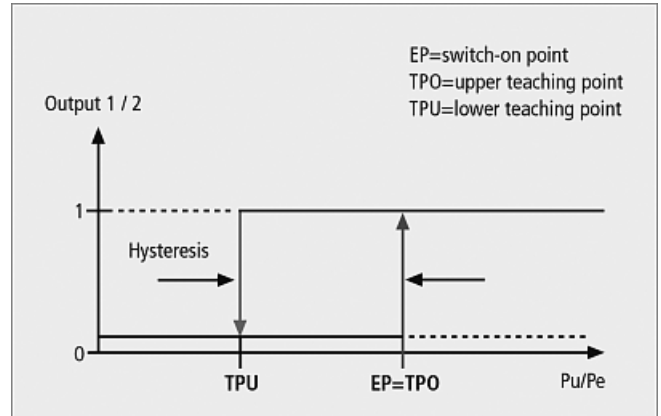
Vacuum switch VS-V-AH/AV-T



Switching-point adjustment Vacuum switch VS-V-AH/AV-T

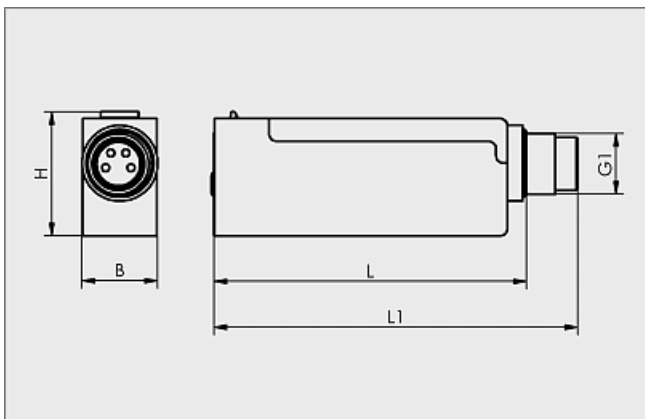


VS-V-AH/AV-T-S (Switching function: fixed hysteresis)

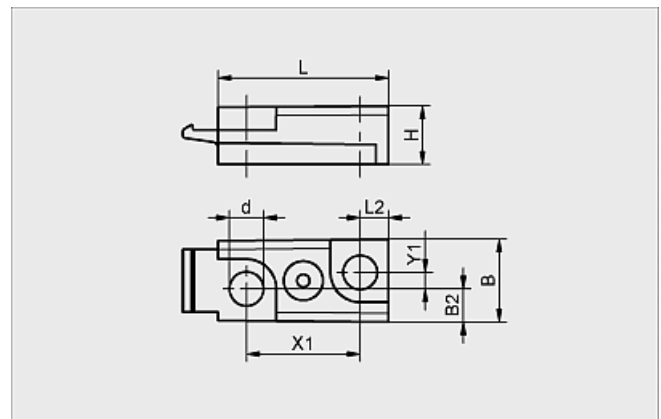


VS-V-AH/AV-T (Switching function: adjustable hysteresis)

Design data Vacuum switch VS-V-AH/AV-T



VS-V-AH/AV-T



FLAN-PL 16.3x6.6x4.5 VS

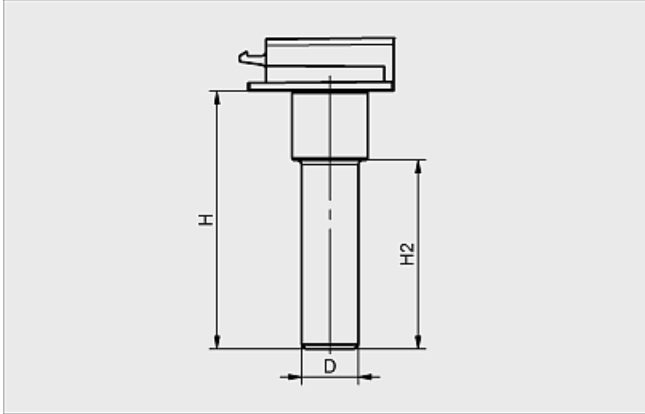
Type	Dimensions in mm									
	B	B2	G1	d	H	L	L1	L2	X1	Y1
VS-V-AH-T-PNP-S	10	-	M8-M	-	17,5	36,2	43	-	-	-
VS-V-AH-T-PNP	10	-	M8-M	-	17,5	36,2	43	-	-	-
VS-V-AV-T-PNP-S	10	-	M8-M	-	16,4	41,2	48	-	-	-
VS-V-AV-T-PNP	10	-	M8-M	-	16,4	41,2	48	-	-	-
FLAN-PL	7	2,6	-	2,7	4,6	13,5	-	2,3	9	1,3

Vacuum switches

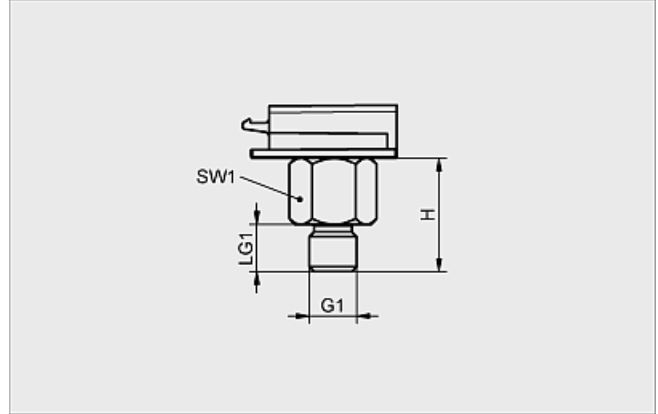
Vacuum switch VS-V-AH/AV-T



Design data accessories Vacuum switch VS-V-AH/AV-T



ADAP-VS 6-1.3x16



ADAP-VS M5-AG-1.3x16

Type	Dimensions in mm						
	Type	D	G1	H	H2	LG1	SW1
Connection adapter D6	ADAP-VS 6-1.3x16	6	-	27,3	20,0	-	-
Connection adapter M5	ADAP-VS M5-AG-1.3x16	-	M5-M	12,0	-	5,0	8