

Vacuum switches

Vacuum switch VS-V-A-EM



Vacuum switches VS-V-A-EM

Our highlights...

- Electromechanical vacuum switch
- Switching point adjustable
- Wide range of variants (with different supply voltages and connections)

Your advantages...

- > Simple construction and pre-cise operation
- > Can be adapted to meet customer requirements
- > Versatile facilities for adaptation to local standards

Applications

- Universal electromechanical vacuum switch for safety monitoring, optimization of cycle times and regulation circuits
- Special version for switching both DC (24 V) and AC (110 V / 230 V) voltages
- Suitable for measurement and switching tasks

Construction

- Electromechanical vacuum switch in a robust plastic housing made of Grilamid
- Vacuum connection by flange and by additional M5 female thread
- Switching point adjustable with a screw
- Power connection and signal output optionally via 4-wire cable or 4-pin M8 screw connector (24 VDC version only)
- Integrated LED for indication of the switching state



Suitability for branch-specific applications

Designation code Vacuum switch VS-V-A-EM

Short designation	Measuring range	Connections	Principle of operation	Electrical connection
Example: VS	V	A	EM	M8-4
VS	V...900 to -200 mbar	A...flange connection	EM...electromechanical	M8-4...male connector M8, 4-pin K...with cable 24 V DC K110...with cable 110 V AC K230...with cable 230 V AC

Ordering data Vacuum switch VS-V-A-EM

Type	Article No.
VS-V-A-EM M8-4	10.06.02.00068
VS-V-A-EM K	10.06.02.00067
VS-V-A-EM K110	10.06.02.00089
VS-V-A-EM K230	10.06.02.00069

Vacuum switches

Vacuum switch VS-V-A-EM



Ordering data accessories Vacuum switch VS-V-A-EM

Type	Article No.
Connection cable material PUR, 5 m, straight, with union nut	10.06.02.00031
Connection cable material PUR, 5 m, 90°, with union nut	10.06.02.00032
Connection cable material PUR, 2 m, straight, with union nut	10.06.02.00084
Hose sleeve M3 für IP65	10.08.03.00151
O-ring 3x1 for M3	10.07.08.00030
Connection hose for reference air (for IP65), ordering unit: metres	10.07.09.00063

Note: See "Connection options" in this section for more connection possibilities.

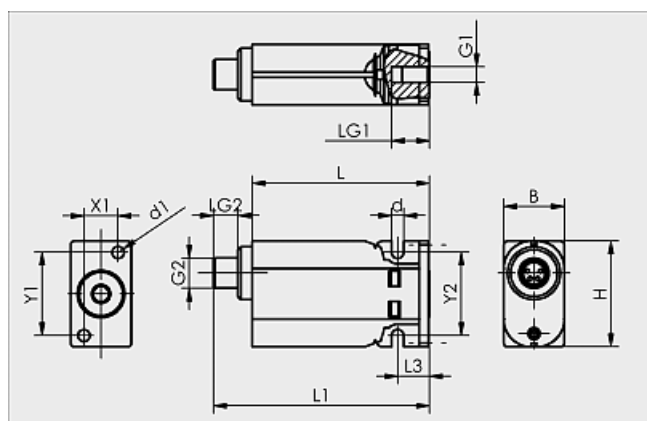


Technical data Vacuum switch VS-V-A-EM

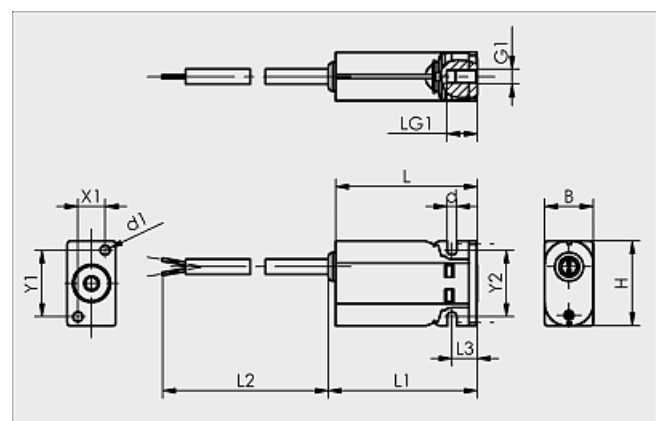
Type	VS-V-A-EM M8-4	VS-V-A-EM K	VS-V-A-EM K110	VS-V-A-EM K230
Measuring range	-900...-200 mbar	-900...-200 mbar	-900...-200 mbar	-900...-200 mbar
Max. overpressure resistance [bar]	3	3	3	3
Repeatability	40 mbar	40 mbar	40 mbar	40 mbar
Hysteresis	Fixed: 110 to 170 mbar	Fixed: 110 to 170 mbar	Fixed: 110 to 170 mbar	Fixed: 110 to 170 mbar
Switching capacity [A]	2,5	2,5	2,5	2,5
Switching element	Microswitch with gold-plated contacts	Microswitch with gold-plated contacts	Microswitch with gold-plated contacts	Microswitch with gold-plated contacts
Switching frequency [Hz]	3	3	3	3
Electrical connection	Male connect M8, 4 pol	Cable	Cable for 110 V	Cable for 230 V
Measured medium connection	M5-F	M5-F	M5-F	M5-F
Voltage	24V - DC	24V - DC	110V - AC	250V - AC
Protection IP	IP 40/65 (with hose)	IP 40/65 (with hose)	IP 40/65 (with hose)	IP 40/65 (with hose)
Operating temperature [°C]	0...60 °C	0...60 °C	0...60 °C	0...60 °C
Weight [g]	20	20	20	20



Design data Vacuum switch VS-V-A-EM



VS-V-A-EM-M8



VS-V-A-EM-K

Type	Dimensions in mm														
	B	d	d1	G1	G2	H	L	L1	L2	L3	LG1	LG2	X1	Y1	Y2
VS-V-A-EM M8-4	16	3,2	3,2	M5-F	M8x1-M	28	47	57	-	8,2	7,2	6,5	-	22	22
VS-V-A-EM K	16	3,2	3,2	M5-F	-	28	47	49	3000	8,2	7,2	-	9	22	22
VS-V-A-EM K110	16	3,2	3,2	M5-F	-	28	47	49	3000	8,2	7,2	-	9	22	22
VS-V-A-EM K230	16	3,2	3,2	M5-F	-	28	47	49	3000	8,2	7,2	-	9	22	22