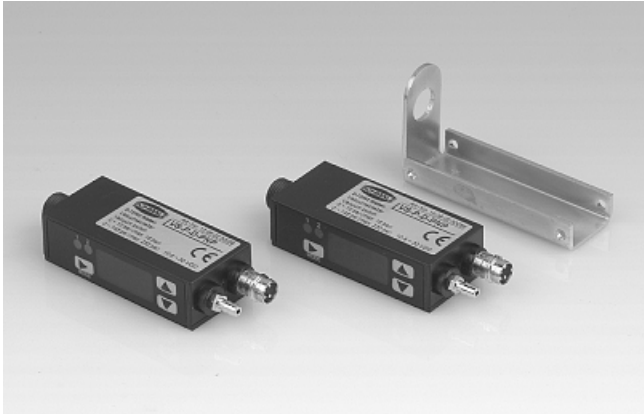


Pressure switches

Pressure switch VS-P10-D



Pressure switches VS-P10-D-PNP

Our highlights...

- Electronic pressure switch with digital display
- Switching point and hysteresis programmable with foil keypad
- Two separately programmable digital outputs
- Special functions programmable

Your advantages...

- > Electronically precise switching with two separate switch outputs
- > Can be adapted optimally to customer requirements
- > Upper and lower limit values can be displayed
- > Further adaptation possible

Applications

- Universal electronic pressure switch for all safety monitoring tasks, optimization of cycle times and regulation circuits
- Small size and low weight permit installation directly at the point of use in handling systems

Construction

- Electronic pressure switch in robust polycarbonate housing
- Pressure connection via G1/8" male thread, additional M5 female thread
- Display with 3 digits and foil keypad on front for setting the values
- Integrated LED for indication of the switching state
- Electrical connections via 4-pin M8 screw connector



Suitability for branch-specific applications

Designation code Pressure switch VS-P10-D

Short designation	Measuring range	Display	Switching function
Example: VS	P10	D	PNP
VS	P10...0 to 10 bar	D...with digital display	PNP...switches to +

Ordering data Pressure switch VS-P10-D

Type	Article No.
VS-P10-D-PNP	10.06.02.00056

Pressure switches

Pressure switch VS-P10-D



Ordering data accessories Pressure switch VS-P10-D

Type	Article No.
Connection cable PUR, 5 m, straight, with union nut	10.06.02.00031
Connection cable PUR, 5 m, 90°, with union nut	10.06.02.00032
Mounting set* for VS-V-D-PNP	10.06.02.00061
Connection hose for reference air (for IP65), ordering unit: metres	10.07.09.00063

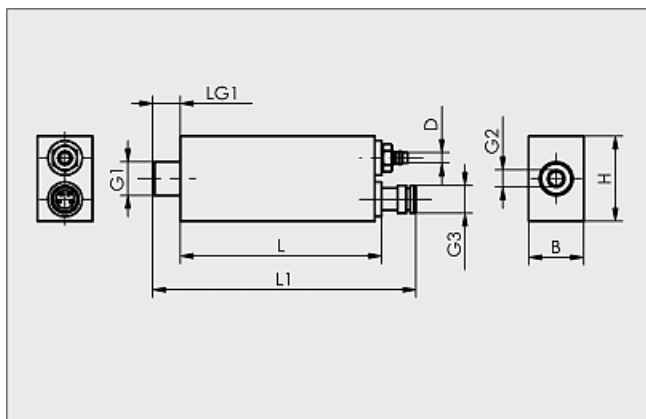
*Set consists of mounting bracket and G1/8" nut, usable for VS-V-D-PNP and VS-P-D-PNP

Note: See "Connection Options" in this section for more connection possibilities



Technical data Pressure switch VS-P10-D

Type	VS-P10-D-PNP
Measured medium	Non-aggressive gases; dry, oil-free air
Measuring range	0...10 bar
Max. overpressure resistance [bar]	16
Repeatability	± 1% of full-scale value
Hysteresis	Adjustable: 0 to 100% of set value or comparator mode
Output signal	2 digital
Switching capacity [mA]	180
Indication	2xLED
Display resolution	0 bar, 1 psi, 0.05 kgf/cm ² , 0.01 Mpa
Display units	bar, psi, kgf/cm ² , Mpa
Measured-value display	3-digit 7-segment LED
Electrical connection	Male connect M8, 4 pol
Measured medium connection	G1/8" male + M5 fem.
Voltage	10.8-30V DC
Current consumption [mA]	55
Protection IP	IP 40/65 (with hose)
Temperature influence	± 3% of full-scale value in the range 0 to 50°C
Operating temperature [°C]	0...50 °C
Weight [g]	25



VS-P10-D



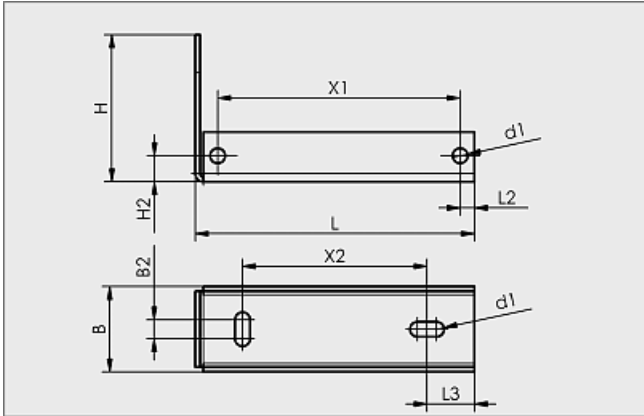
Design data Pressure switch VS-P10-D

Type	Dimensions in mm			
	B	D	G1	G2
VS-P10-D-PNP	16	3,4	G1/8-M	M5-F

Type	Dimensions in mm			
	G3	H	L	L1
VS-P10-D-PNP	M8x1-M	24,7	58,5	75,5

Pressure switches

Pressure switch VS-P10-D



Mounting bracket

Design data accessories Pressure switch VS-P10-D

Type	Dimensions in mm				
	B	B2	d1	H	H2
Mounting bracket	21,0	4,0	3,2	34,5	6

Type	Dimensions in mm				
	L	L2	L3	X1	X2
Mounting bracket	60,5	3,0	10,0	52	39,0