

Measuring and control devices

Manometer VAM



Manometer VAM

Our highlights...

- Conventional spring-tube or capsule-element manometers
- Standardized dimensions and connections
- Various measuring ranges

Your advantages...

- >Simple and reliable; proven in many years of use
- >Suitable for all existing vacuum applications
- >Function is matched to customer requirements

Applications

- Analogue measurement and monitoring of vacuum values



Construction

- Vacuum manometer VAM 63V H-SE is a spring-tube manometer
- VAM 100V/250U and VAM 63V/400U are capsule-element manometers with zero adjustment
- VAM 63V H-SE has a fixed front ring
- Vacuum connection either at the rear (-H) or the bottom (-U)

Suitability for branch-specific applications

Designation code Manometer VAM

Short designation	Diameter	Measuring range	Location vacuum connection	Scale unit	Shape
Example: VAM	100	V250	U	-	-
VAM	40 63 100)	V250... -250 to 0 mbar V400... -400 to 0 mbar -... -1000 to 0 mbar	U...bottom H...back	-... mbar PSI... PSI	SE...for panel mounting

Ordering data Manometer VAM

Type	Article No.
VAM 100 V250 U	10.07.02.00001
VAM 63 V250 H	10.07.02.00006
VAM 63 V400 H	10.07.02.00002
VAM 63 V U PSI	10.07.02.00004
VAM 63 V H-SE	10.07.02.00016
VAM 40 V H	10.07.02.00007
VAM 63 V H PSI	10.07.02.00003

Measuring and control devices

Manometer VAM



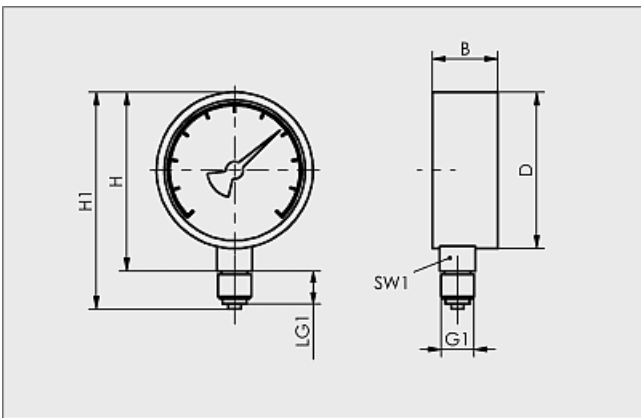
Ordering data accessories Manometer VAM

Type	Article No.
Pressure-limiter valve	10.05.05.00057

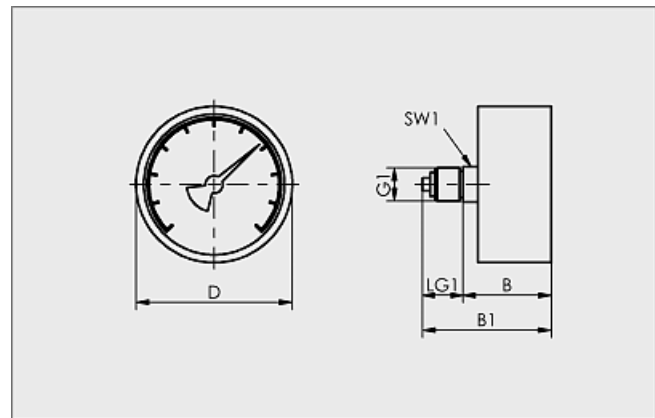
Technical data Manometer VAM

Type	Measuring range
VAM 100 V250 U	-250...0 mbar
VAM 63 V250 H	-250...0 mbar
VAM 63 V400 H	-400...0 mbar
VAM 63 V U PSI	-1...0 bar
VAM 63 V H-SE	-1...0 bar
VAM 40 V H	-1...0 bar
VAM 63 V H PSI	-1...0 bar

Design data Manometer VAM

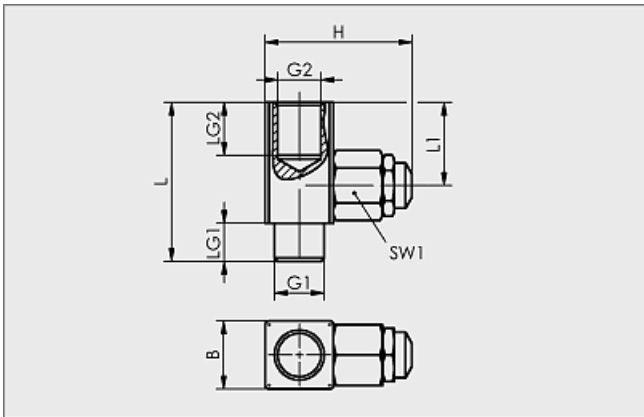


VAM 63U and 100U



VAM 40H and 63H

Type	Dimensions in mm							
	B	B1	D	G1	H	H1	LG1	SW1
VAM 100 V250 U	87	-	100	G1/2"-M	112	142,0	25	22
VAM 63 V250 H	34	46	63	G1/4"-M	-	-	12	14
VAM 63 V400 H	34	46	63	G1/4"-M	-	-	12	14
VAM 63 V U PSI	26	-	63	G1/4"-M	68	82,5	13	14
VAM 63 V H-SE	38	48	63	G1/8"-M	-	-	10	-
VAM 40 V H	30	40	40	G1/8"-M	-	-	10	12
VAM 63 V H PSI	35	48	63	G1/4"-M	-	-	13	14



Pressure-limiting valve DBV-M

Design data accessories Manometer VAM

Type	Dimensions in mm				
	B	G1	G2	H	L
Pressure-limiter valve	18	G1/4"-M	G1/4"-F	46	42

Type	Dimensions in mm			
	L1	LG1	LG2	SW1
Pressure-limiter valve	22	10	14	16