

Non-return valves

Non-return valves RSV



Non-return valve RSV

Our highlights...

- Seat-type non-return valve
- Wide range of nominal diameters
- Very small size

Your advantages...

- > Closure of the vacuum line in order to maintain the system vacuum in the case, for example, of a power failure
- > Can be used for very low to very high nominal flow rates
- > Also suitable for use in restricted spaces

Applications

- For maintaining the vacuum in the case of a power failure or a failure of the vacuum generator
- Can also be used with energy-saving systems when handling non-porous materials
- They may be installed in any orientation



Construction

- Spring-loaded seat valve
- Brass body (RSV 6, which is made of aluminium)
- Seat made of synthetic rubber, gasket made of nylon
- Stainless-steel spring

Suitability for branch-specific applications



Ordering data Non-return valves RSV

Type	Article No.
RSV 6 G1/4-IG	10.05.05.00001
RSV 14 G3/8-IG	10.05.05.00002
RSV 18 G1/2-IG	10.05.05.00003
RSV 20 G3/4-IG	10.05.05.00004
RSV 28 G1-IG	10.05.05.00005
RSV 36 G1-1/4-IG	10.05.05.00006
RSV 42 G1-1/2-IG	10.05.05.00007
RSV 54 G2-IG	10.05.05.00008



Technical data Non-return valves RSV

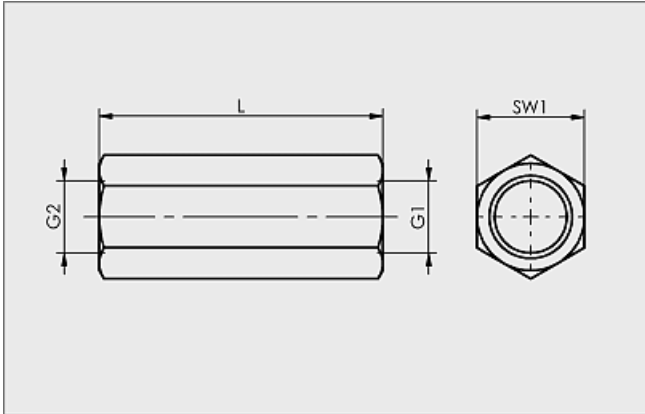
Type	Nominal size [mm]	Nominal flow rate [m ³ /h]	Nominal flow rate [l/min]	Opening pressure [mbar]	Weight [kg]
RSV 6 G1/4-IG	6	5	83	20	0,02
RSV 14 G3/8-IG	14	20	333	20	0,18
RSV 18 G1/2-IG	18	26	433	20	0,19
RSV 20 G3/4-IG	20	45	750	20	0,27
RSV 28 G1-IG	28	75	1250	20	0,49
RSV 36 G1-1/4-IG	36	125	2083	20	0,74
RSV 42 G1-1/2-IG	42	200	3333	20	0,98
RSV 54 G2-IG	54	350	5833	20	1,10

Non-return valves

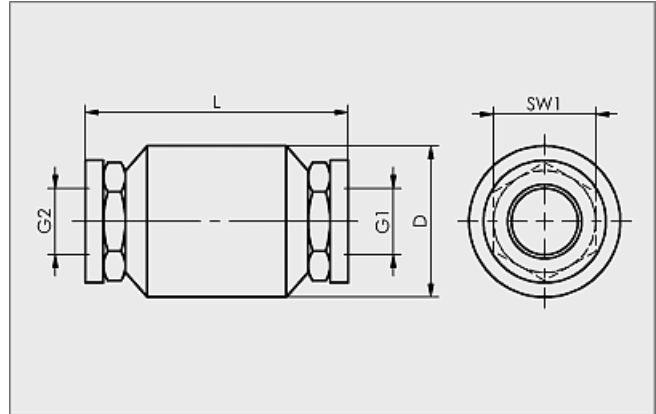
Non-return valves RSV



Design data Non-return valves RSV



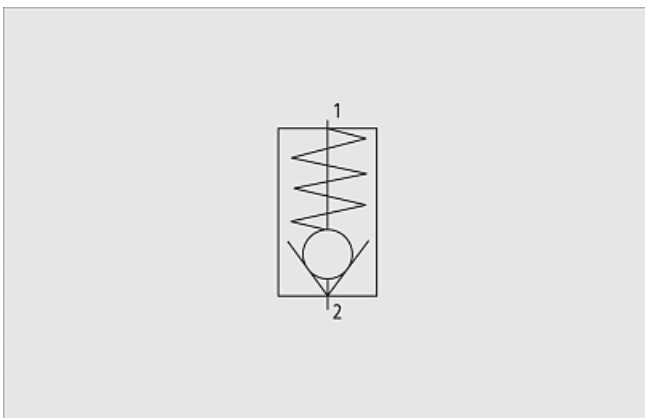
RSV 6



RSV 14 to 54

Type	Dimensions in mm				
	D	G1	G2	L	SW1
RSV 6 G1/4-IG	-	G1/4"-F	G1/4"-F	45	17
RSV 14 G3/8-IG	34	G3/8"-F	G3/8"-F	59	23
RSV 18 G1/2-IG	34	G1/2"-F	G1/2"-F	62	27
RSV 20 G3/4-IG	41	G3/4"-F	G3/4"-F	69	33
RSV 28 G1-IG	52	G1"-F	G1"-F	84	40
RSV 36 G1-1/4-IG	63	G1-1/4"-F	G1-1/4"-F	88	50
RSV 42 G1-1/2-IG	71	G1-1/2"-F	G1-1/2"-F	96	50
RSV 54 G2-IG	87	G2"-F	G2"-F	100	70

Functional circuit diagram Non-return valves RSV



Circuit diagram RSV