

Solenoid valves

Inline valves IV



Inline valves IV

Our highlights...

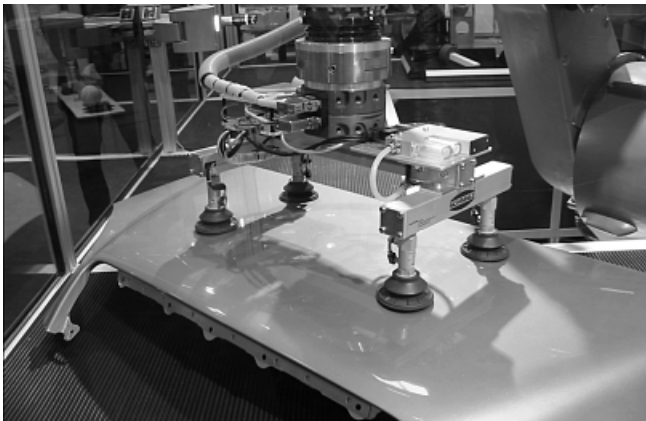
- Miniature vacuum valve for direct mounting in a suction pad
- Compact construction, simple installation
- Integrated sieve to protect against dirt
- Decentralized vacuum control and system monitoring with a valve and an optional Schmalz Mini-Sensor

Your advantages...

- > Individual control of single suction pads
- > Minimum space requirements; simple installation
- > Increased functional safety
- > Improved process reliability and reduced standstill times of vacuum systems

Applications

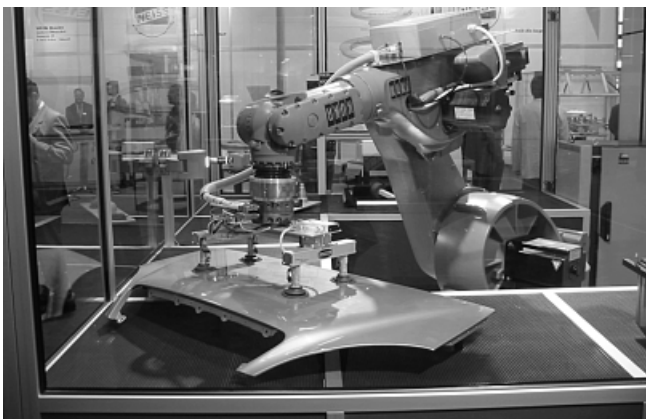
- Deactivation of unused suction pads on systems such as sheet-feeders
- Individual control of the suction pads of a "vacuum carpet", e.g. when picking items from stock
- System monitoring in vacuum spiders by active activation and deactivation of suction pads



Inline valves on a vacuum spider for handling car bodywork parts

Construction

- Solenoid valve in miniature inline construction
- Nominal diameter 3 mm; nominal flow rate 2 m³/h
- Attachment facility for vacuum sensor
- External body made of aluminum



Local control of the suction pads on a vacuum spider with the aid of inline valves

Suitability for branch-specific applications



Ordering data Inline valves IV

Type	Article No.
IV 3 3/2 G3/8-IG G3/8-AG 24V-DC	10.05.01.00172
IV 3 3/2 G1/4-IG G3/8-AG 24V-DC	10.05.01.00173

Ordering data accessories Inline valves IV

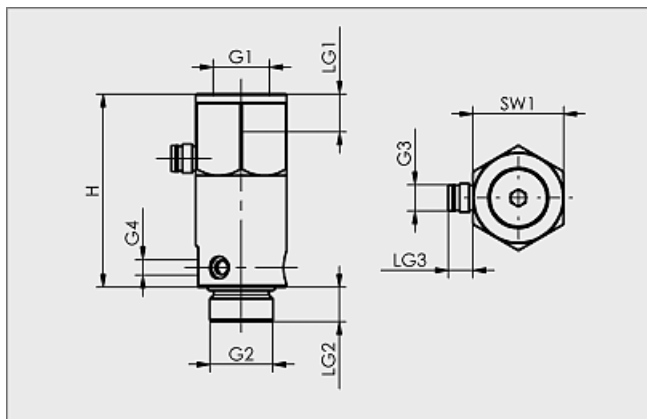
Type	Connection cable, 5 m, M8 straight	Connection cable, 5 m, M8 90°	Vacuum sensors analogue VS-V SA M5*	Vacuum sensors digital VS-V SD 60 M5*
IV3 G3/8-IG G3/8-AG 24V-DC	10.06.02.00031	10.06.02.00032	10.06.02.00224	10.06.02.00257
IV3 G1/4-IG G3/8-AG 24V-DC	10.06.02.00031	10.06.02.00032	10.06.02.00224	10.06.02.00257

*See section 7 for further details

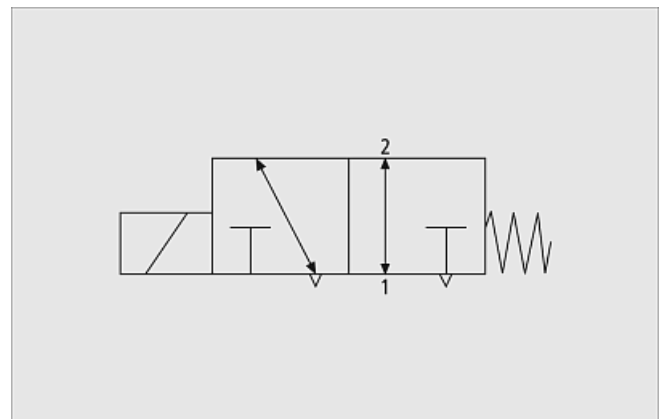
Technical data Inline valves IV

Type	Nominal size [mm]	Principle of operation	Voltage	Nominal flow rate [m³/h]	Nominal flow rate [l/min]	Power consumption DC [W]	Weight [kg]
IV 3 3/2 G3/8-IG G3/8-AG 24V-DC	3	Normally open	24V - DC	2	33	2,4	0,065
IV 3 3/2 G1/4-IG G3/8-AG 24V-DC	3	Normally open	24V - DC	2	33	2,4	0,065

Design data and functional circuit diagram Inline valves IV



IV 3



Circuit diagram IV 3

Type	Dimensions in mm								
	G1	G2	G3	G4	H	LG1	LG2	LG3	SW1
IV 3 3/2 G3/8-IG G3/8-AG 24V-DC	G3/8"-F	G3/8"-M	M8-M	M5-F	51	10	9	6,5	24
IV 3 3/2 G1/4-IG G3/8-AG 24V-DC	G1/4"-F	G3/8"-M	M8-M	M5-F	51	10	9	6,5	24