

Manually actuated valves

Manual slide valves HSV



Manual slide valve HSV

Our highlights...

- For use with vacuum and compressed air
- Wide range of nominal sizes
- Robust metal construction
- Small size
- Venting function

Your advantages...

- > Absolutely vacuum-tight: no leaks
- > Optimum matching to the nominal flow rate
- > Robust and free of wear
- > Space-saving and ergonomic
- > Venting function for quick release of parts

Applications

- Manual switching of vacuum or compressed-air circuits
- Activation and venting of individual suction pads
- For use in vacuum-gripper systems and handling devices
- Robust construction permits high switching frequencies
- They may be installed in any orientation

Construction

- Manual slide valve made of brass and aluminium
- Additional lock possible (HSV 12 3/2 S)
- Easily-actuated sliding sleeve
- 3/2-way valve



Suitability for branch-specific applications

Ordering data Manual slide valves HSV

Type	Article No.
HSV 7 3/2	10.05.07.00034
HSV 8 3/2	10.05.07.00035
HSV 12 3/2	10.05.07.00036
HSV 12 3/2 S	10.05.07.00037
HSV 24 3/2 S	10.05.07.00038

Technical data Manual slide valves HSV

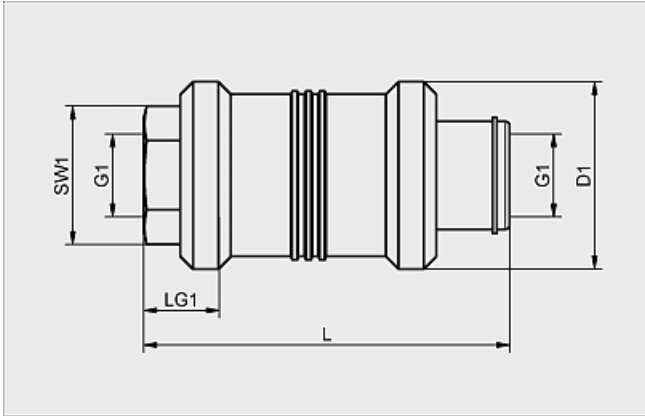
Type	Nominal size [mm]	Nominal flow rate [m³/h]	Nominal flow rate [l/min]	Work area [bar]	Weight [kg]
HSV 7 3/2	7	6	100	-0.95...10.0	0,097
HSV 8 3/2	8	10	167	-0.95...10.0	0,156
HSV 12 3/2	12	16	267	-0.95...10.0	0,230
HSV 12 3/2 S	12	16	267	-0.95...10.0	0,356
HSV 24 3/2 S	24	50	833	-0.95...10.0	0,513

Manually actuated valves

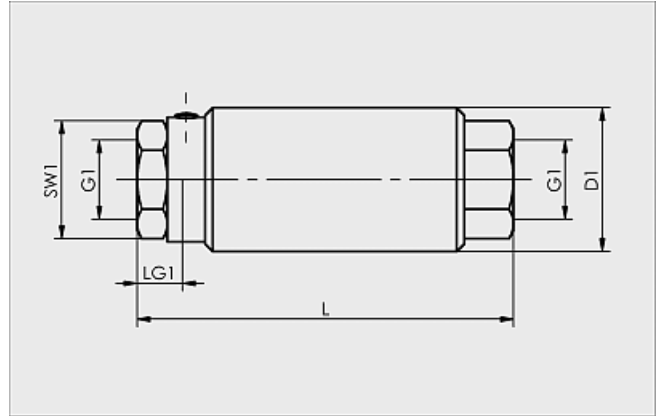
Manual slide valves HSV



Design data Manual slide valves HSV



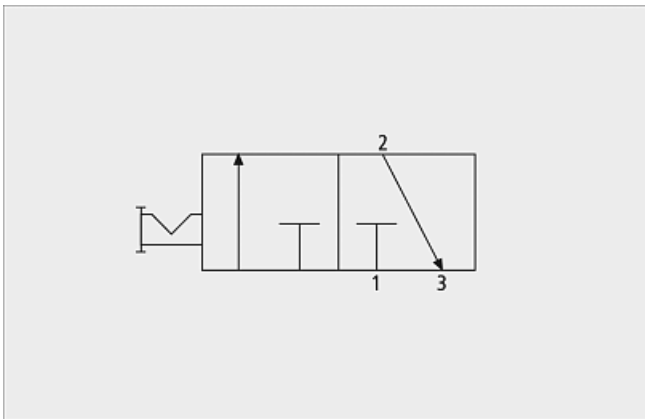
HSV 7 3/2 to 12 3/2



HSV 12 3/2 S and HSV 24 3/2 S with lock

Type	Dimensions in mm				
	D1	G1	L	LG1	SW1
HSV 7 3/2	30	G1/4"-F	58,0	12	19
HSV 8 3/2	35	G3/8"-F	70,7	15	22
HSV 12 3/2	40	G1/2"-F	80,0	16	27
HSV 12 3/2 S	38	G1/2"-F	99,5	15	27
HSV 24 3/2 S	45	G3/4"-F	110,0	16	32

Functional circuit diagram Manual slide valves HSV



Circuit diagram HSV