

Vacuum units

Vacuum unit VE/VER



Vacuum unit VE/VER

Our highlights...

- Complete vacuum generation system: ejector, monitoring and regulation functions
- Built-in basic ejector SEG 15 optimised for maximum efficiency
- Internal pneumatic regulation (option: automatic air-saving function)

Your advantages...

- >The "stand-alone solution" for universal use in all clamping and handling applications
- >Maximum suction capacity combined with minimum consumption of compressed air
- >Economical use in continuous operation: compressed air is switched off when not needed, vacuum is regulated automatically

Applications

- Pneumatically driven vacuum generator with internal regulation
- Vacuum is generated only when a consumer is connected
- Suitable for all vacuum clamping and handling tasks

Construction

- Brass nozzle system
- Steel housing
- Safety non-return valve
- Manometer
- Type VER 15 with internal regulation with the aid of an adjustable pneumatic vacuum switch



Suitability for branch-specific applications

Designation code Vacuum unit VE/VER

Short designation	Principle of operation	Nozzle size in mm*10
Example: VE	R	15
VE	-...without automatic air-saving function R...with automatic air-saving function	15...1.5 mm

Ordering data Vacuum unit VE/VER

Type	Article No.
VE 15	10.02.03.00325
VER 15	10.02.03.00335

Technical data Vacuum unit VE/VER

Type	Nozzle-Ø [mm]	Degree of evacuation [%]	Max. suction rate [l/min]	Max. suction rate [m³/h]	Air consumption [l/min]*	Air consumption [m³/h]*	Operating pressure [bar]	Weight [kg]
VE 15	1,5	80	69	4,1	102	6,1	5	1,4
VER 15	1,5	80	69	4,1	102	6,1	5	3,3

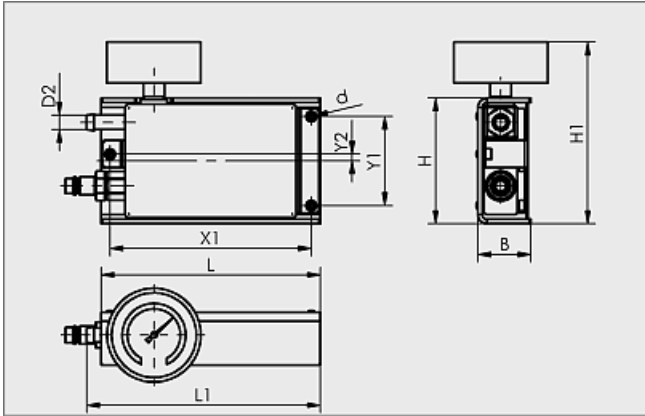
*At optimal operating pressure

Vacuum units

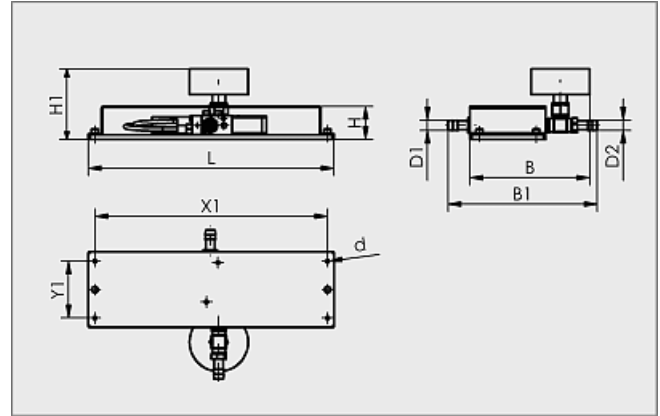
Vacuum unit VE/VER



Design data Vacuum unit VE/VER



VE 15



VER 15

Type	Dimensions in mm											
	B	B1	d	D1	D2	H	H1	L	L1	X1	Y1	Y2
VE 15	35,0	-	4,2	-	9,5	83	120	145	154,5	133	59	4,5
VER 15	126,5	157,5	3,3	9,5	9,5	34	75	260	-	246	60	-