

Compact ejectors

Compact ejectors Schmalz X-Pump SXP / SXMP



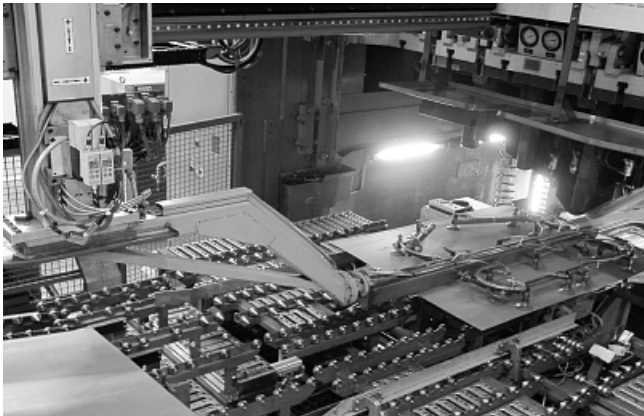
Compact ejectors SXP / SXMP

Our highlights...

- Condition monitoring with status indication
- Large display and controls
- High suction capacity and "powerful blow-off"
- Integrated automatic airsaving function
- Clever mounting and connection facilities
- Extreme resistance to wear
- Unaffected by dust and dirt
- No filter needed
- Degree of protection IP 65

Your advantages...

- >Permanent monitoring of the entire vacuum system to reduce machine downtimes
- >Simple setting and readout
- >Short cycle times
- >Economical operation
- >Simple and quick installation
- >High availability
- >Maximum process safety
- >Maintenance-free operation
- >Splashwater protection



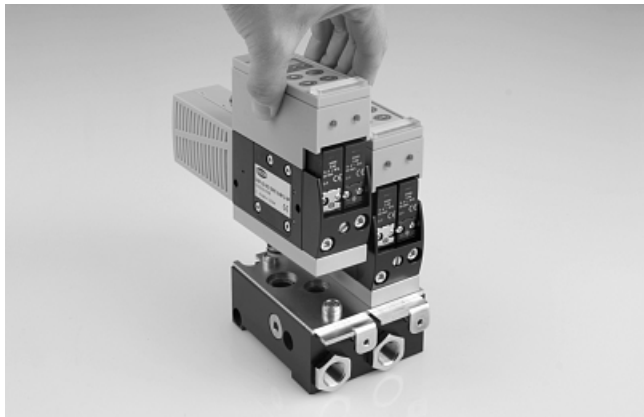
Schmalz X-Pump in use on a press line

Applications

- Vacuum spiders and other vacuum systems in the automobile industry, in sheet-metal workshops and anywhere where airtight materials need to be gripped
- Generation and monitoring of the vacuum in automated systems
- Suitable for extremely short cycle times and processes demanding a high level of safety
- Condition monitoring for prevention of downtimes and for cost reduction by preventive maintenance

Compact ejectors

Compact ejectors Schmalz X-Pump SXP / SXMP



Quick-change mounting of the X-Pump without the need for tools

Construction

- Compact design with no unnecessary projecting edges
- Power module of the type SXMP for a higher blow-off power and approximately 50 % shorter release time
- Control module with many diagnostic functions
- Two-color status indicator lamp
- Integrated counter module for cycle evaluation
- Quick-change silencer
- Potential-free electrical connections via one 8-pin M12 connector or two 5-pin M12 connectors
- Suitable cables available as accessories



Suitability for branch-specific applications

Designation code Compact ejectors Schmalz X-Pump SXP / SXMP

Type	Nozzle size mm*10	Idle state of suction valve	Pneumatic connector	Electrical connections
Example: SXP	25	NO	Q	M12
SXP...without Power Modul	15...1.5 mm	NO...normally open	H...horizontal	M12...M12, 8 pole
SXMP...with Power Modul	20...2.0 mm	NC...normally closed	V...vertical	2xM12...2xM12, 5 pole
	25...2.5 mm	IMP...bistable, switched with pulse	Q...quick change	
	30...3.0 mm			

Vacuum generators
5

Compact ejectors

Compact ejectors Schmalz X-Pump SXP / SXMP



Ordering data Compact ejectors Schmalz X-Pump SXP / SXMP

SXP 15 Type	Part NO.	SXP 20 Type	Part NO.	SXP 25 Type	Part NO.	SXP 30 Type	Part NO.
SXP 15 NO H M12	10.02.02.02192	SXP 20 NO H M12	10.02.02.02210	SXP 25 NO H M12	10.02.02.02228	SXP 30 NO H M12	10.02.02.02246
SXP 15 NO H 2xM12	10.02.02.02193	SXP 20 NO H 2xM12	10.02.02.02211	SXP 25 NO H 2xM12	10.02.02.02229	SXP 30 NO H 2xM12	10.02.02.02247
SXP 15 NO V M12	10.02.02.02194	SXP 20 NO V M12	10.02.02.02212	SXP 25 NO V M12	10.02.02.02230	SXP 30 NO V M12	10.02.02.02248
SXP 15 NO V 2xM12	10.02.02.02195	SXP 20 NO V 2xM12	10.02.02.02213	SXP 25 NO V 2xM12	10.02.02.02231	SXP 30 NO V 2xM12	10.02.02.02249
SXP 15 NO Q M12	10.02.02.02196	SXP 20 NO Q M12	10.02.02.02214	SXP 25 NO Q M12	10.02.02.02232	SXP 30 NO Q M12	10.02.02.02250
SXP 15 NO Q 2xM12	10.02.02.02197	SXP 20 NO Q 2xM12	10.02.02.02215	SXP 25 NO Q 2xM12	10.02.02.02233	SXP 30 NO Q 2xM12	10.02.02.02251
SXP 15 NC H M12	10.02.02.02198	SXP 20 NC H M12	10.02.02.02216	SXP 25 NC H M12	10.02.02.02234	SXP 30 NC H M12	10.02.02.02252
SXP 15 NC H 2xM12	10.02.02.02199	SXP 20 NC H 2xM12	10.02.02.02217	SXP 25 NC H 2xM12	10.02.02.02235	SXP 30 NC H 2xM12	10.02.02.02253
SXP 15 NC V M12	10.02.02.02200	SXP 20 NC V M12	10.02.02.02218	SXP 25 NC V M12	10.02.02.02236	SXP 30 NC V M12	10.02.02.02254
SXP 15 NC V 2xM12	10.02.02.02201	SXP 20 NC V 2xM12	10.02.02.02219	SXP 25 NC V 2xM12	10.02.02.02237	SXP 30 NC V 2xM12	10.02.02.02255
SXP 15 NC Q M12	10.02.02.02202	SXP 20 NC Q M12	10.02.02.02220	SXP 25 NC Q M12	10.02.02.02238	SXP 30 NC Q M12	10.02.02.02256
SXP 15 NC Q 2xM12	10.02.02.02203	SXP 20 NC Q 2xM12	10.02.02.02221	SXP 25 NC Q 2xM12	10.02.02.02239	SXP 30 NC Q 2xM12	10.02.02.02257
SXP 15 IMP H M12	10.02.02.02204	SXP 20 IMP H M12	10.02.02.02222	SXP 25 IMP H M12	10.02.02.02240	SXP 30 IMP H M12	10.02.02.02258
SXP 15 IMP H 2xM12	10.02.02.02205	SXP 20 IMP H 2xM12	10.02.02.02223	SXP 25 IMP H 2xM12	10.02.02.02241	SXP 30 IMP H 2xM12	10.02.02.02259
SXP 15 IMP V M12	10.02.02.02206	SXP 20 IMP V M12	10.02.02.02224	SXP 25 IMP V M12	10.02.02.02242	SXP 30 IMP V M12	10.02.02.02260
SXP 15 IMP V 2xM12	10.02.02.02207	SXP 20 IMP V 2xM12	10.02.02.02225	SXP 25 IMP V 2xM12	10.02.02.02243	SXP 30 IMP V 2xM12	10.02.02.02261
SXP 15 IMP Q M12	10.02.02.02208	SXP 20 IMP Q M12	10.02.02.02226	SXP 25 IMP Q M12	10.02.02.02244	SXP 30 IMP Q M12	10.02.02.02262
SXP 15 IMP Q 2xM12	10.02.02.02209	SXP 20 IMP Q 2xM12	10.02.02.02227	SXP 25 IMP Q 2xM12	10.02.02.02245	SXP 30 IMP Q 2xM12	10.02.02.02263

SXMP 15 Type	Part NO.	SXMP 20 Type	Part NO.	SXMP 25 Type	Part NO.	SXMP 30 Type	Part NO.
SXMP 15 NO H M12	10.02.02.02264	SXMP 20 NO H M12	10.02.02.02282	SXMP 25 NO H M12	10.02.02.02300	SXMP 30 NO H M12	10.02.02.02318
SXMP 15 NO H 2xM12	10.02.02.02265	SXMP 20 NO H 2xM12	10.02.02.02283	SXMP 25 NO H 2xM12	10.02.02.02301	SXMP 30 NO H 2xM12	10.02.02.02319
SXMP 15 NO V M12	10.02.02.02266	SXMP 20 NO V M12	10.02.02.02284	SXMP 25 NO V M12	10.02.02.02302	SXMP 30 NO V M12	10.02.02.02320
SXMP 15 NO V 2xM12	10.02.02.02267	SXMP 20 NO V 2xM12	10.02.02.02285	SXMP 25 NO V 2xM12	10.02.02.02303	SXMP 30 NO V 2xM12	10.02.02.02321
SXMP 15 NO Q M12	10.02.02.02268	SXMP 20 NO Q M12	10.02.02.02286	SXMP 25 NO Q M12	10.02.02.02304	SXMP 30 NO Q M12	10.02.02.02322
SXMP 15 NO Q 2xM12	10.02.02.02269	SXMP 20 NO Q 2xM12	10.02.02.02287	SXMP 25 NO Q 2xM12	10.02.02.02305	SXMP 30 NO Q 2xM12	10.02.02.02323
SXMP 15 NC H M12	10.02.02.02270	SXMP 20 NC H M12	10.02.02.02288	SXMP 25 NC H M12	10.02.02.02306	SXMP 30 NC H M12	10.02.02.02324
SXMP 15 NC H 2xM12	10.02.02.02271	SXMP 20 NC H 2xM12	10.02.02.02289	SXMP 25 NC H 2xM12	10.02.02.02307	SXMP 30 NC H 2xM12	10.02.02.02325
SXMP 15 NC V M12	10.02.02.02272	SXMP 20 NC V M12	10.02.02.02290	SXMP 25 NC V M12	10.02.02.02308	SXMP 30 NC V M12	10.02.02.02326
SXMP 15 NC V 2xM12	10.02.02.02273	SXMP 20 NC V 2xM12	10.02.02.02291	SXMP 25 NC V 2xM12	10.02.02.02309	SXMP 30 NC V 2xM12	10.02.02.02327
SXMP 15 NC Q M12	10.02.02.02274	SXMP 20 NC Q M12	10.02.02.02292	SXMP 25 NC Q M12	10.02.02.02310	SXMP 30 NC Q M12	10.02.02.02328
SXMP 15 NC Q 2xM12	10.02.02.02275	SXMP 20 NC Q 2xM12	10.02.02.02293	SXMP 25 NC Q 2xM12	10.02.02.02311	SXMP 30 NC Q 2xM12	10.02.02.02329
SXMP 15 IMP H M12	10.02.02.02276	SXMP 20 IMP H M12	10.02.02.02294	SXMP 25 IMP H M12	10.02.02.02312	SXMP 30 IMP H M12	10.02.02.02330
SXMP 15 IMP H 2xM12	10.02.02.02277	SXMP 20 IMP H 2xM12	10.02.02.02295	SXMP 25 IMP H 2xM12	10.02.02.02313	SXMP 30 IMP H 2xM12	10.02.02.02331
SXMP 15 IMP V M12	10.02.02.02278	SXMP 20 IMP V M12	10.02.02.02296	SXMP 25 IMP V M12	10.02.02.02314	SXMP 30 IMP V M12	10.02.02.02332
SXMP 15 IMP V 2xM12	10.02.02.02279	SXMP 20 IMP V 2xM12	10.02.02.02297	SXMP 25 IMP V 2xM12	10.02.02.02315	SXMP 30 IMP V 2xM12	10.02.02.02333
SXMP 15 IMP Q M12	10.02.02.02280	SXMP 20 IMP Q M12	10.02.02.02298	SXMP 25 IMP Q M12	10.02.02.02316	SXMP 30 IMP Q M12	10.02.02.02334
SXMP 15 IMP Q 2xM12	10.02.02.02281	SXMP 20 IMP Q 2xM12	10.02.02.02299	SXMP 25 IMP Q 2xM12	10.02.02.02317	SXMP 30 IMP Q 2xM12	10.02.02.02335

Ordering data accessories Compact ejectors Schmalz X-Pump SXP / SXMP

Accessories	Article No.	Weight [kg]
Connecting cable M12, 8-pole	21.04.05.00079	0,28
Connecting cable M12, 5-pole with potential isolation	21.04.05.00080	0,24
Single base plate with quick-change connections	10.02.02.02473	0,18
Double base plate with quick-change connections	10.02.02.02154	0,98

Compact ejectors

Compact ejectors Schmalz X-Pump SXP / SXMP



Technical data Compact ejectors Schmalz X-Pump SXP / SXMP

Type	Nozzle-Ø [mm]	Degree of evacuation [%]	Max. suction rate [l/min]	Max. suction rate [m³/h]	Air consumpt. during evac. [l/min]*	Air consumpt. during evac. [m³/h]*	Air consumption blow off [l/min]
SXP 15	1,5	85	70	4,2	115	6,9	200
SXP 20	2,0	85	135	8,1	180	10,8	200
SXP 25	2,5	85	185	11,1	290	17,4	200
SXP 30	3,0	85	220	13,2	380	22,8	200
SXMP 15	1,5	85	70	4,2	115	6,9	320
SXMP 20	2,0	85	135	8,1	180	10,8	320
SXMP 25	2,5	85	185	11,1	290	17,4	320
SXMP 30	3,0	85	220	13,2	380	22,8	320

!The supply voltage for vacuum switches and solenoid valves is 24V DC

*At optimal operating pressure

**For max. length 2 m

Type	Noise level free [db(A)]	Operating pressure [bar]	Recomm. int. hose diameter compr. air [mm]**	Recomm. int. hose diameter vacuum [mm]**	Weight [kg]	Operating temperature [°C]
SXP 15	63	3...6	6	6	0,98	0...50
SXP 20	65	3...6	6	8	0,98	0...50
SXP 25	67	3...6	8	9	0,98	0...50
SXP 30	72	3...6	8	9	0,98	0...50
SXMP 15	63	3...6	6	6	1,13	0...50
SXMP 20	65	3...6	6	8	1,13	0...50
SXMP 25	67	3...6	8	9	1,13	0...50
SXMP 30	72	3...6	8	9	1,13	0...50

!The supply voltage for vacuum switches and solenoid valves is 24V DC

*At optimal operating pressure

**For max. length 2 m

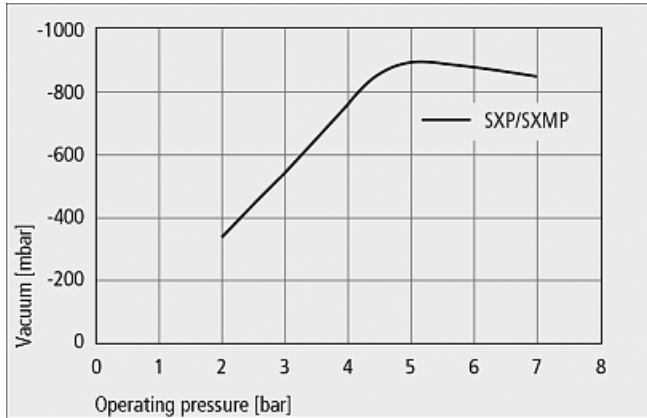
Vacuum generators
5

Compact ejectors

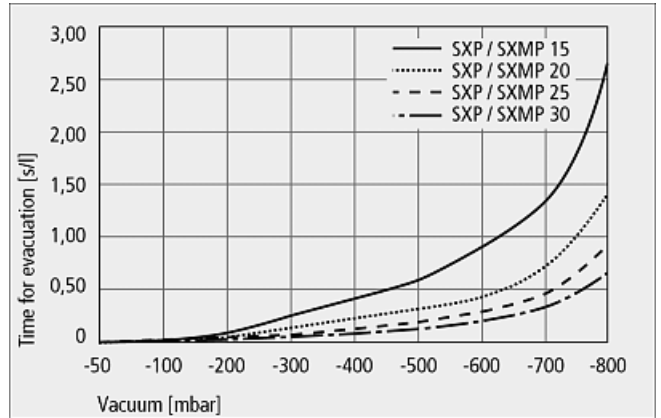
Compact ejectors Schmalz X-Pump SXP / SXMP



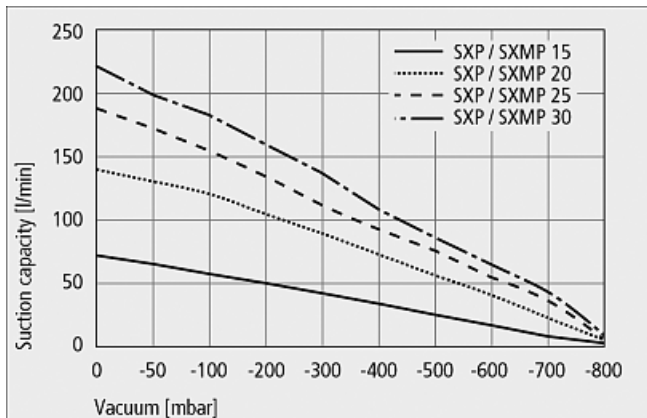
Performance data Compact ejectors Schmalz X-Pump SXP / SXMP



Achievable vacuum at various operating pressures



Evacuation times for various vacuum ranges



Suction capacity at various degrees of evacuation

Suction capacity in l/min at various degrees of evacuation

Type	Degree of evacuation in mbar									
	0	-50	-100	-200	-300	-400	-500	-600	-700	-800
SXP/SXMP 15...	70	64	59	50	40	33	26	19	8	3
SXP/SXMP 20...	135	129	120	103	86	71	57	42	23	7
SXP/SXMP 25...	185	170	158	135	114	95	76	56	33	10
SXP/SXMP 30...	220	199	184	160	138	115	91	63	39	15

Evacuation time in s/l for various vacuum ranges

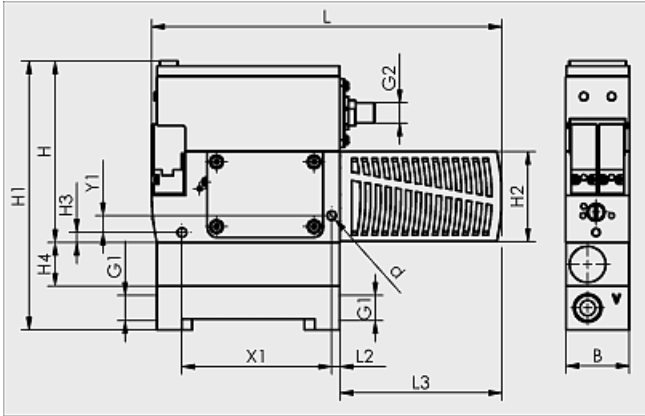
Type	Degree of evacuation in mbar									
	-50	-100	-200	-300	-400	-500	-600	-700	-800	
SXP/SXMP 15...	0.03	0.07	0.15	0.25	0.40	0.59	0.86	1.34	2.66	
SXP/SXMP 20...	0.02	0.04	0.08	0.14	0.22	0.32	0.46	0.71	1.39	
SXP/SXMP 25...	0.02	0.03	0.06	0.10	0.15	0.18	0.26	0.46	0.87	
SXP/SXMP 30...	0.01	0.02	0.05	0.08	0.11	0.15	0.22	0.37	0.69	

Compact ejectors

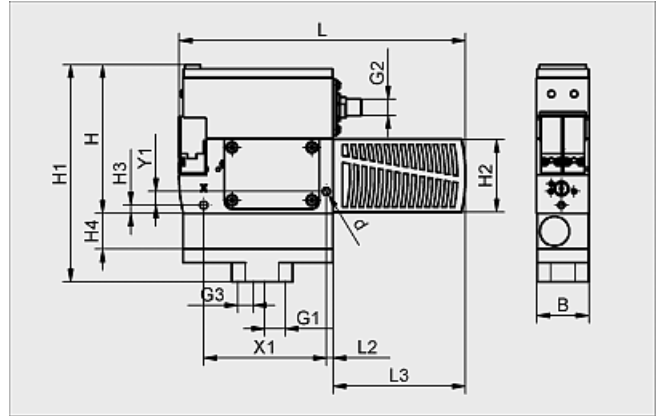
Compact ejectors Schmalz X-Pump SXP / SXMP



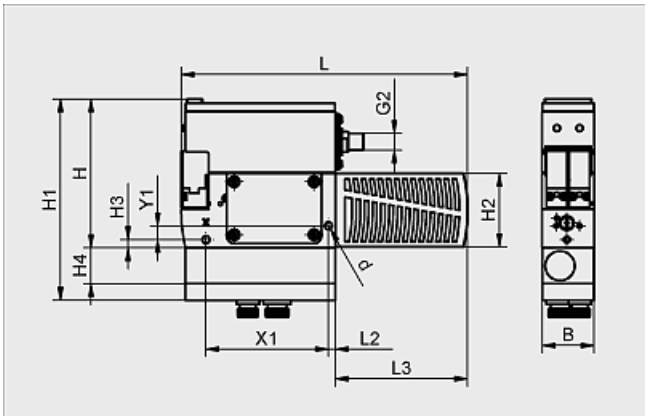
Design data Compact ejectors Schmalz X-Pump SXP / SXMP



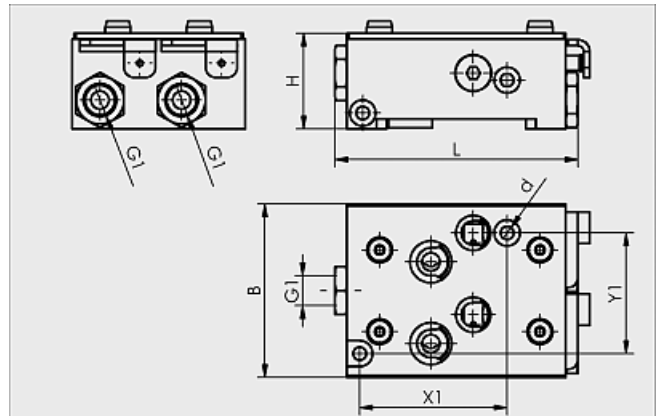
SXP/SXMP H



SXP/SXMP V



SXP/SXMP Q



GP2

Type	Dimensions in mm														
	B	d	G1	G2	G3	H	H1	H2	H3	H4	L	L2	L3	X1	Y1
SXP...H...	38	5,5	G3/8-F	M12-M	-	108	134	54	6	-	209	5	97	89	10,0
SXP...V...	38	5,5	G3/8-F	M12-M	G1/4-F	108	132	54	6	-	209	5	97	89	10,0
SXP...Q...	38	5,5	-	M12-M	-	108	120	54	6	-	209	5	97	89	10,0
SXMP...H...	38	5,5	G3/8-F	M12-M	-	108	160	54	6	26	209	5	97	89	10,0
SXMP...V...	38	5,5	G3/8-F	M12-M	G1/4-F	108	158	54	6	26	209	5	97	89	10,0
SXMP...Q...	38	5,5	-	M12-M	-	108	146	54	6	26	209	5	97	89	10,0
GP 2	87	6,6	G3/8-F	-	-	48	-	-	-	-	122	-	-	74	60,5