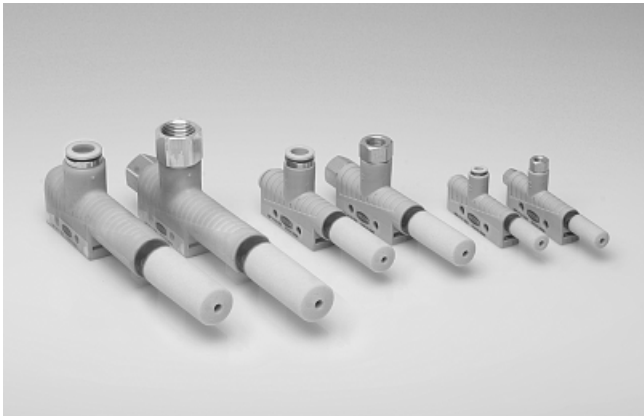
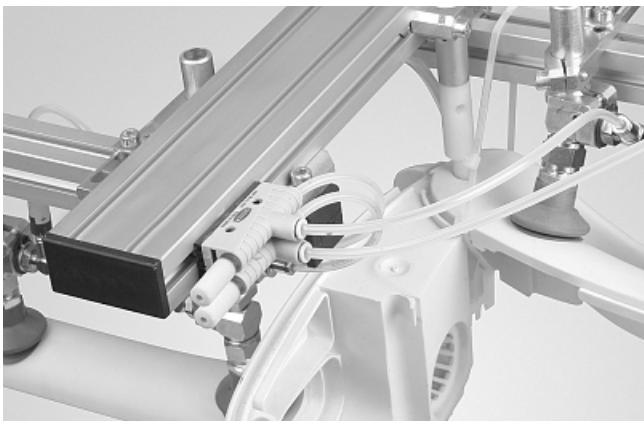


Basic ejectors

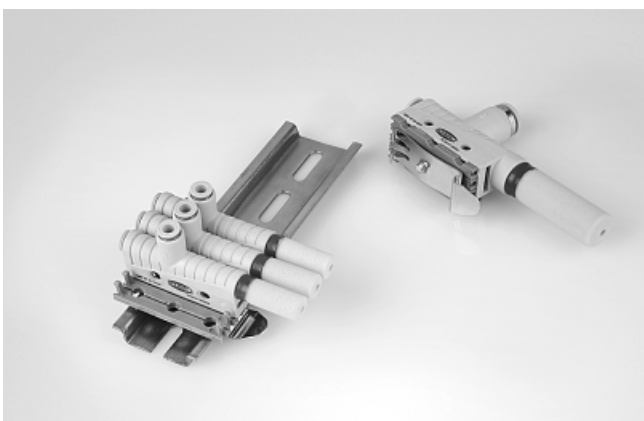
Basic ejectors SBP



Basic ejectors SBP



Handling of plastic parts



Mounting example on mounting plate and top-hat rails

Our highlights...

- Plastic housing optimized for minimum weight and size
- Ejector nozzles with six different power ratings
- Connections either with threaded holes or push-in couplings
- Open silencer

Your advantages...

- > Ideal for decentralized vacuum generation in highly dynamic processes
- > Various power ratings for minimum air consumption
- > Space-saving and easy to install
- > Low noise levels and minimum maintenance requirements

Applications

- Use in feeder systems
- Handling of electronic components
- Use in separation systems for plastic and sheet-metal machining
- Construction of ejector blocks for decentralized individual control of suction pads

Construction

- Vacuum generator with single nozzle, available in six power ratings, 0.5- 2.5 mm
- One-piece housing made of light, impact-resistant plastic
- Connection of compressed air and vacuum with quick-action push-in coupling (S1 to S3) or threaded holes (G1 to G3)
- Pleasing industrial design
- Can be fixed horizontal with mounting holes or vertical with the base on a mounting plate
- Optional mounting with mounting plate and mounting kit on DIN top-hat rails



Suitability for branch-specific applications

Basic ejectors

Basic ejectors SBP



Designation code Basic ejectors SBP

Short designation	Nozzle size in mm*10	Connection	Additional function
Example: SBP	10	G2	SDA
SBP	05...0.5 mm to 25...2.5 mm	G...threaded holes S...quick-action push-in coupling	SDA...with axial silencer



Ordering data Basic ejectors SBP

Type	G1*	G2*	G3*	S1*	S2*	S3*
SBP 05 SDA	10.02.01.00599	-	-	10.02.01.00563	-	-
SBP 07 SDA	10.02.01.00600	-	-	10.02.01.00564	-	-
SBP 10 SDA	-	10.02.01.00601	-	-	10.02.01.00565	-
SBP 15 SDA	-	10.02.01.00602	-	-	10.02.01.00566	-
SBP 20 SDA	-	-	10.02.01.00603	-	-	10.02.01.00567
SBP 25 SDA	-	-	10.02.01.00604	-	-	10.02.01.00568

*Connection geometry: see design data of basic ejectors SBP



Ordering data spare parts and accessories Basic ejectors SBP

Type	Silencer	Mounting plate BEF-PL	Mounting kit SET SBP/SBP-C M4-IG*
SBP 05/07 SDA	10.02.01.00539	10.02.01.00511*	10.02.01.00769
SBP 10/15 SDA	10.02.01.00540	10.02.01.00511**	10.02.01.00769
SBP 20/25 SDA	10.02.01.00719	10.02.01.00511***	10.02.01.00769

*Set with two retaining clips, two screws incl. washers

* suitable for 11 SBP 05/07

** suitable for 7 SBP 10/15

*** suitable for 5 SBP 20/25



Technical data Basic ejectors SBP

Type	Nozzle-Ø [mm]	Degree of evacuation [%]	Max. suction rate [l/min]	Max. suction rate [m³/h]	Air consumpt. during evac. [l/min]*	Air consumpt. during evac. [m³/h]*	Noise level workp. gripped [db(A)]
SBP 05 SDA	0,5	85	8,0	0,5	14	0,8	53
SBP 07 SDA	0,7	85	16,0	1,0	22	1,3	59
SBP 10 SDA	1,0	85	37,7	2,3	48	2,9	59
SBP 15 SDA	1,5	85	71,0	4,3	105	6,3	65
SBP 20 SDA	2,0	85	127,0	7,6	197	11,8	68
SBP 25 SDA	2,5	85	215,0	12,9	311	18,7	70

* At optimal operating pressure

** For max. length 2 m

Type	Noise level free [db(A)]	Operating pressure [bar]	Recomm. int. hose diameter compr. air [mm]**	Recomm. int. hose diameter vacuum [mm]**	Weight [g]	Operating temperature [°C]
SBP 05 SDA	58	4.5	2	2	7,5	0...60
SBP 07 SDA	65	4.5	2	2	7,5	0...60
SBP 10 SDA	65	4.5	4	6	22,0	0...60
SBP 15 SDA	72	4.5	4	6	22,0	0...60
SBP 20 SDA	77	4.5	6	7	50,0	0...60
SBP 25 SDA	78	4.5	6	7	50,0	0...60

* At optimal operating pressure

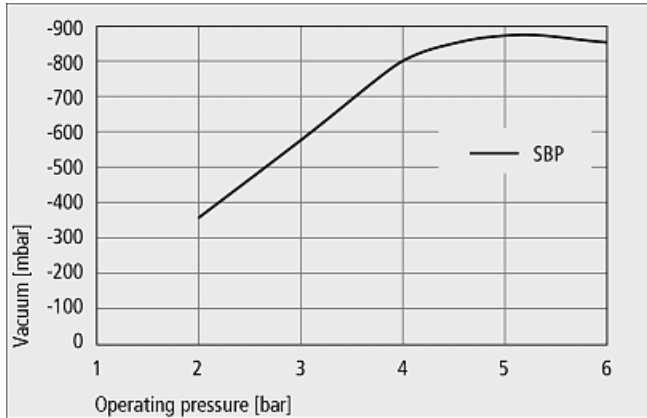
** For max. length 2 m

Basic ejectors

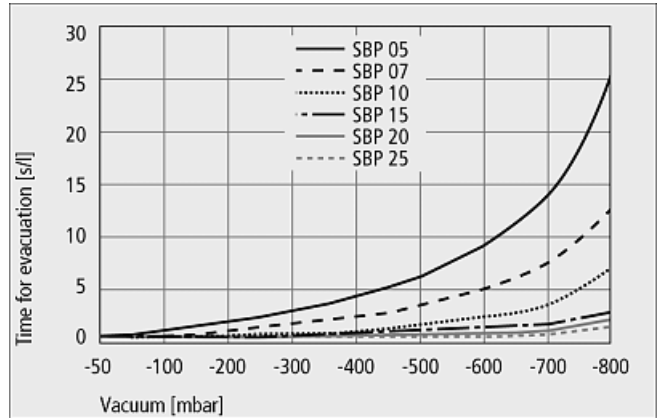
Basic ejectors SBP



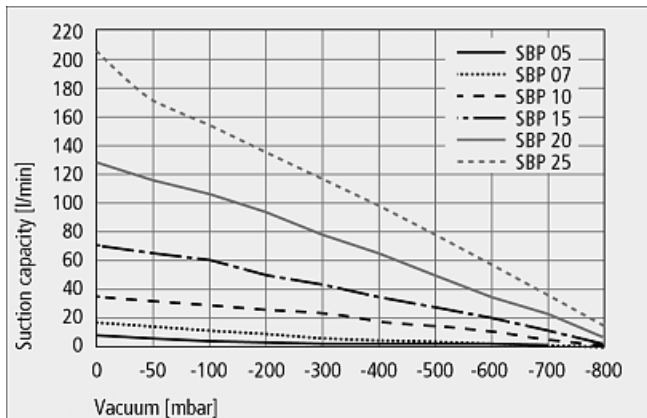
Performance data Basic ejectors SBP



Achievable vacuum at various operating pressures



Evacuation times for various vacuum ranges



Suction capacity at various degrees of evacuation

Suction capacity in l/min at various degrees of evacuation

Type	Degree of evacuation in mbar									
	0	-50	-100	-200	-300	-400	-500	-600	-700	-800
SBP 05 SDA	8.00	6.62	5.64	4.74	3.81	3.01	2.28	1.42	0.40	0.10
SBP 07 SDA	16.10	13.60	11.37	9.03	7.25	5.63	3.97	2.65	1.10	0.30
SBP 10 SDA	37.70	33.20	30.10	26.70	23.00	18.60	14.90	9.80	5.20	1.61
SBP 15 SDA	71.00	65.00	60.10	52.00	44.00	36.50	29.00	20.50	11.40	2.18
SBP 20 SDA	127.00	117.80	106.00	94.20	79.10	65.30	49.87	35.99	23.00	8.36
SBP 25 SDA	215.00	172.00	156.10	138.70	118.50	99.10	79.36	58.90	37.24	16.24

Evacuation time in s/l for various vacuum ranges

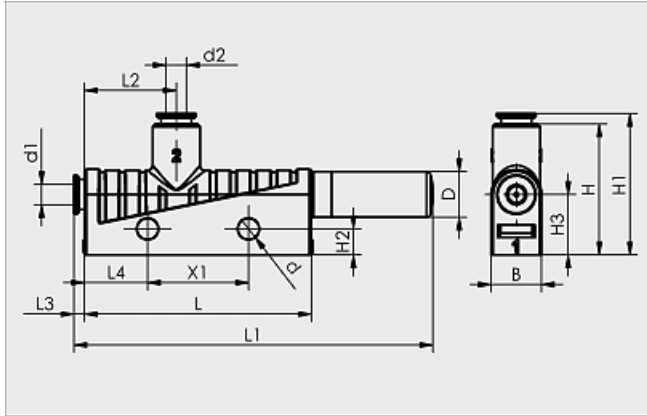
Type	Degree of evacuation in mbar									
	-50	-100	-200	-300	-400	-500	-600	-700	-800	
SBP 05 SDA	0.34	0.68	1.56	2.66	4.02	5.84	8.54	13.22	25.54	
SBP 07 SDA	0.20	0.38	0.84	1.46	2.24	3.26	4.66	6.84	12.56	
SBP 10 SDA	0.06	0.14	0.30	0.52	0.82	1.30	1.98	3.26	6.56	
SBP 15 SDA	0.05	0.08	0.16	0.26	0.40	0.60	0.86	1.30	2.54	
SBP 20 SDA	0.03	0.05	0.09	0.16	0.24	0.34	0.49	0.80	1.74	
SBP 25 SDA	0.02	0.03	0.06	0.09	0.14	0.20	0.28	0.42	0.99	

Basic ejectors

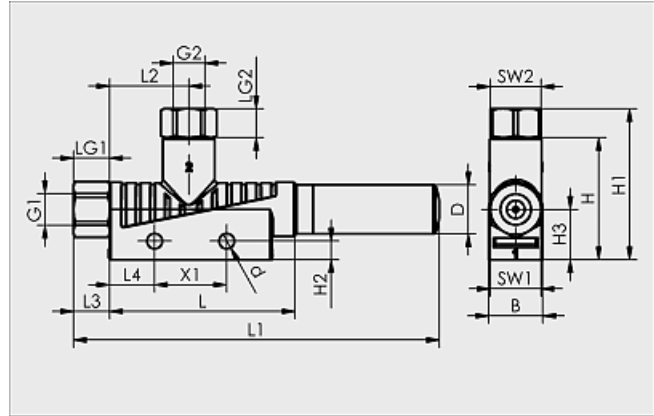


Basic ejectors SBP

Design data Basic ejectors SBP



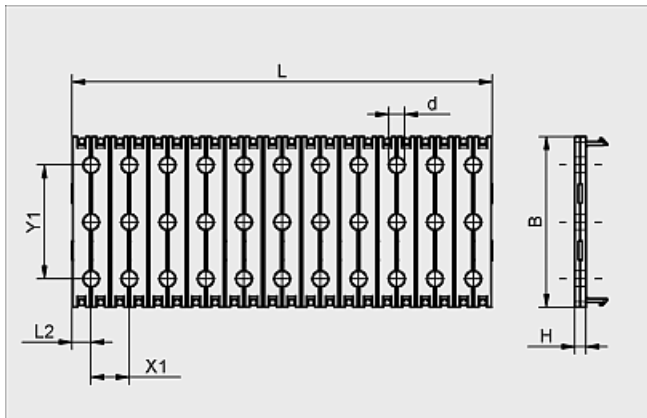
SBP S



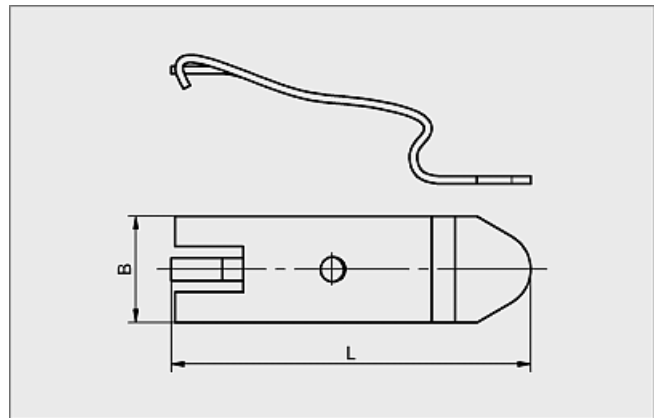
SBP G

Type	Dimensions in mm																				
	B	d	d1	d2	D	G1	G2	H	H1	H2	H3	L	L1	L2	L3	L4	LG1	LG2	SW1	SW2	X1
SBP 05/07 S1 SDA	10	4,2	4	4	9	-	-	26	28,0	5,2	12	45,0	71	18,0	2,0	12,5	-	-	-	-	20
SBP 10/15 S2 SDA	15	4,2	6	8	14	-	-	34	40,0	5,2	14	51,5	97	22,0	5,5	12,5	-	-	-	-	20
SBP 20/25 S3 SDA	20	4,2	8	10	20	-	-	39	45,5	5,2	17	86,5	168	24,5	5,5	12,5	-	-	-	-	20
SBP 05/07 G1 SDA	10	4,2	-	-	9	M5-F	M5-F	26	31,0	5,2	12	45,0	74	18,0	5,0	12,5	5	5	8	8	20
SBP 10/15 G2 SDA	15	4,2	-	-	14	G1/8-F	G1/8-F	34	42,0	5,2	14	51,5	102	22,0	10,0	12,5	8	8	14	14	20
SBP 20/25 G3 SDA	20	4,2	-	-	20	G1/4-F	G3/8-F	39	53,5	5,2	17	86,5	176	24,5	13,0	12,5	9	10	17	19	20

Design data spare parts and accessories Basic ejectors SBP



BEF-PL



SET SBP/SBP-C M4-IG

Type	Dimensions in mm						
	B	d	H	L	L2	X1	Y1
Mounting plate BEF-PL	45	4,2	3	111,1	5	10,1	30
Mounting set SET SBP/SBP-C M4-IG	14	-	-	50,0	-	-	-