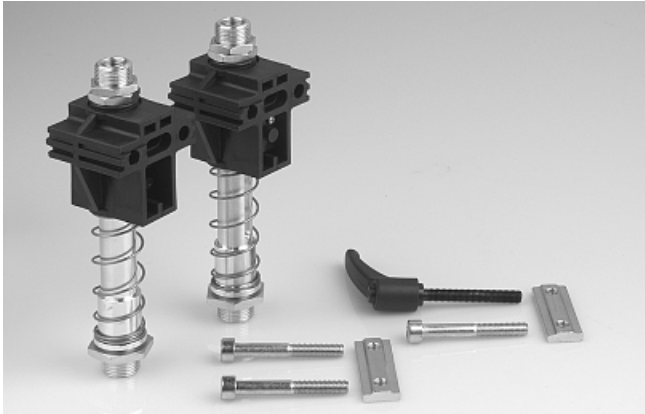


# Spring plungers

## Spring plunger FSTF



Spring plungers FSTF

### Our highlights...

- Variable mounting facility
- Integrated mounting facilities
- Guide and mounting block made of high-quality injection-molded plastic

### Your advantages...

- > Individual, flexible and quick adaptation to the intended application
- > Can be adapted for use with all common aluminum sectional beam systems
- > Price and weight optimized; extremely robust and unaffected by dust

### Applications

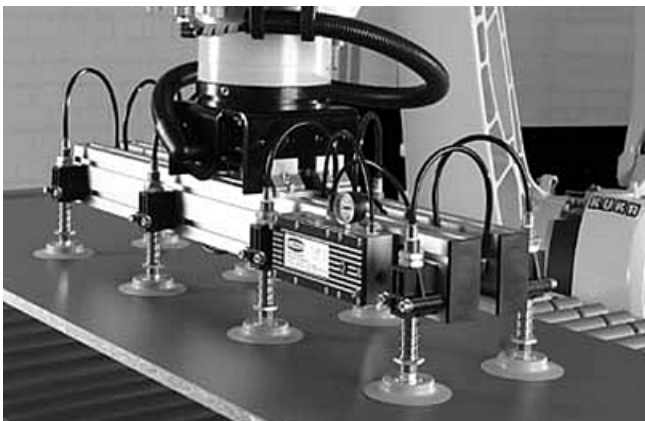
- Handling of workpieces with greatly differing heights
- Handling of sheets and planks of wood in the furniture, chip-board, door and flooring industries
- Handling tasks in dusty surroundings

### Construction

- Plastic mounting block with integrated guide for plunger rod (no additional sliding bearing)
- Can be mounted with the mounting kit "Standard" or "Komfort" on sectional beams
- Plunger rod made of high-strength aluminum alloy, with integrated anti-blocking device to protect against spring breakage
- Versions with and without anti-rotation guard available

### Suitability for branch-specific applications

Mounting elements  
4



Vacuum spider with spring plungers FSTF for the handling of coated wood panels



Vacuum gripper equipped with spring plungers FSTF for handling wood panels



# Spring plungers

## Spring plunger FSTF



### Designation code Spring plunger FSTF

Short designation	Suction-pad connection	Plunger stroke in mm	Additional function
Example: FSTF	G1/2-AG	50	VG
FSTF	G1/4-IG (IG = female) G1/2-AG (AG = male)	50	VG...with anti-rotation guard

### Ordering data Spring plunger FSTF

Type*	Article No.
FSTF G1/2-AG 50	10.01.02.01012
FSTF G1/2-AG 50 VG	10.01.02.01013

\*VG = Version with rotation lock for repeatably accurate positioning of suction pads

### Ordering data accessories Spring plunger FSTF

Type	Mounting set FSTF Komfort	Mounting set FSTF Standard
FSTF G1/2-AG 50	10.01.02.01031	10.01.02.01030
FSTF G1/2-AG 50 VG	10.01.02.01031	10.01.02.01030

!Standard: consisting of two screws ISKT M8x60, 1x guide block with 2x M8, 2x U-washers

!!Komfort: consisting of one release handle, one screw ISKT M8x60, 1x guide block with 2x M8, 2x U-washers

### Technical data Spring plunger FSTF

Type	Spring rate [N/mm]	Spring pre-tension [N]	Spring force [N]*	Vertical load [N]**	Horizontal load [N]***	Weight [g]	Operating temperature [°C]
FSTF G1/2-AG 50	0,567	17,6	31,75	2500	800	320	0...50
FSTF G1/2-AG 50 VG	0,567	17,6	31,75	2500	800	320	0...50

\*Referred to 50% of operating stroke

\*\*Maximum static loading

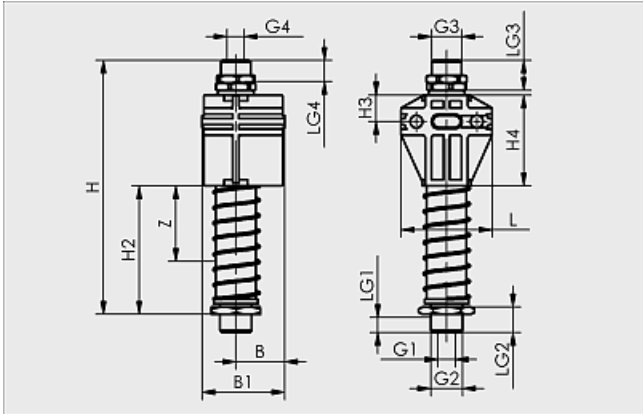
\*\*\*The horizontal loading is a maximum static loading and has a negative effect on the in and out movement in a horizontal position

# Spring plungers

## Spring plunger FSTF



### Design data Spring plunger FSTF



FSTF(-VG)

Type	Dimensions in mm							
	B	B1	G1	G2	G3	G4	H	H2
FSTF G1/2-AG 50	32,3	54,6	G1/4"-F	G1/2"-M	M20-M	G1/4"-F	168	85
FSTF G1/2-AG 50 VG	32,3	54,6	G1/4"-F	G1/2"-M	M20-M	G1/4"-F	168	85

Type	Dimensions in mm							
	H3	H4	L	LG1	LG2	LG3	LG4	Z (Stroke)
FSTF G1/2-AG 50	17,5	60	60	10	17	20	10	50
FSTF G1/2-AG 50 VG	17,5	60	60	10	17	20	10	50

Mounting elements

4