

# Holders for suction pads and spring plungers



## Adapter for elbow connector ANW



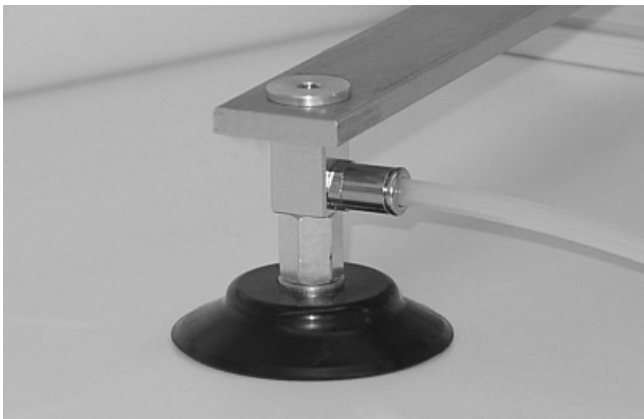
Adapter for elbow connectors ANW / VRS-AN

### Our highlights...

- Minimal overall height
- Vacuum connector on the side
- Connection threads from M5 to 1/2"
- For use together with spring plungers or for mounting with a mounting adapter directly on holders or mounting brackets

### Your advantages...

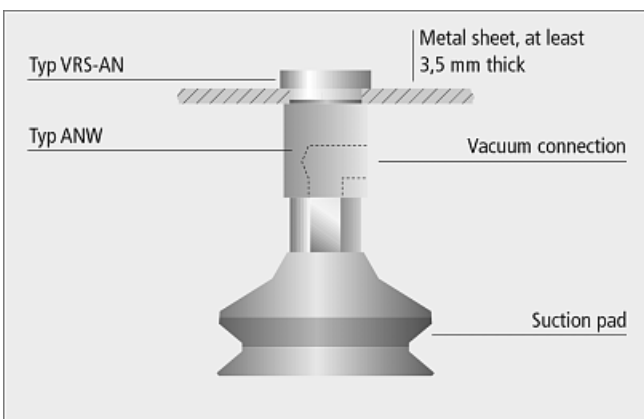
- >Smallest possible space requirements, since suction pads can be mounted directly on cross-beams
- >No additional vertical space needed
- >Wide range of applications for all suction pads of the standard program
- >Flexible use to meet all requirements



Installation example: adapter for elbow connection ANW with sealing screw with collar VRS-AN

### Applications

- For use wherever suction pads need to be mounted and supplied with vacuum in restricted spaces
- Adapter for side connection ANW permits mounting on other accessories such as spring plungers or, together with mounting adapter VRS-AN, on standard holders or mounting brackets.



Mounting example ANW/VRS-AN

### Construction

- Adapter side connection ANW made of galvanized steel with connection thread at bottom and vacuum connector on the side
- Mounting thread without vacuum connector at the top
- Mounting adapter VRS-AN made of galvanized steel for screwing into further accessories or for mounting with screw-in connector



### Suitability for branch-specific applications

# Holders for suction pads and spring plungers



Adapter for elbow connector ANW



## Ordering data Adapter for elbow connector ANW

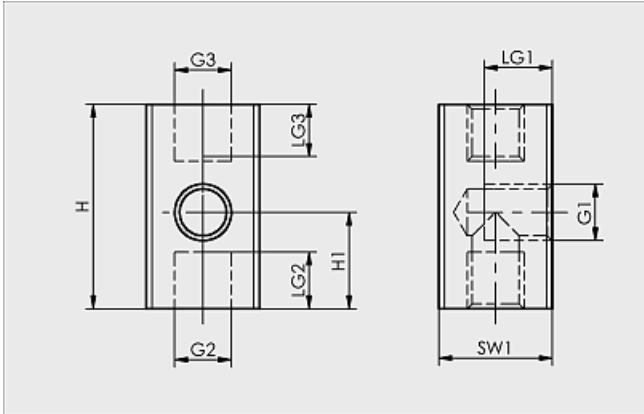
Type	Article No.
ANW M5-IG M5-IG	10.01.01.10149
ANW G1/8-IG G1/8-AG	10.01.01.10113
ANW G1/8-IG G1/4-AG	10.01.01.10112
ANW G3/8-IG G3/8-AG	10.01.01.11618
ANW G3/8-IG G1/2-AG	10.01.01.10111
VRS-AN M5-AG	10.01.01.10150
VRS-AN G1/8-AG	10.01.01.10119
VRS-AN G1/4-AG	10.01.01.10118
VRS-AN G1/2-AG	10.01.01.10117

# Holders for suction pads and spring plungers

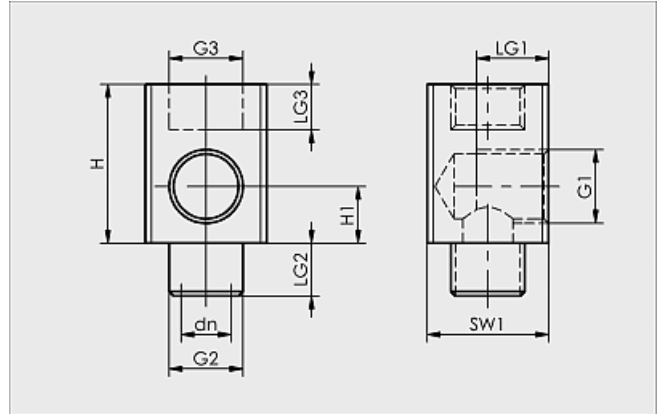


Adapter for elbow connector ANW

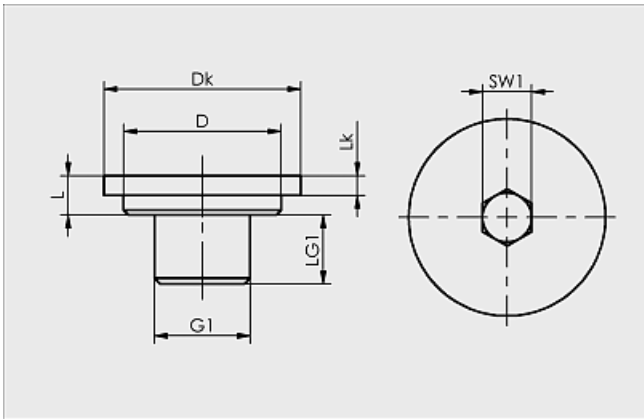
## Design data Adapter for elbow connector ANW



ANW M5-IG M5-IG



ANW G1/8-IG G1/8-AG to G3/8-IG G1/2-AG



Sealing screw with collar VRS-AN

Type	Dimensions in mm													
	D	Dk	dn	G1	G2	G3	H	H1	L	LG1	LG2	LG3	Lk	SW1
ANW M5-IG M5-IG	-	-	-	M5-F	M5-F	M5-F	18	8,5	-	6,0	5	5	-	10
ANW G1/8-IG G1/8-AG	-	-	6,6	G1/8"-F	G1/8"-M	G1/8"-F	21	7,5	-	9,5	7	6	-	16
ANW G1/8-IG G1/4-AG	-	-	8,0	G1/8"-F	G1/4"-M	G1/4"-F	26	8,0	-	11,0	10	10	-	18
ANW G3/8-IG G3/8-AG	-	-	10,0	G3/8"-F	G3/8"-M	G1/2"-F	35	10,5	-	13,0	10	12	-	24
ANW G3/8-IG G1/2-AG	-	-	10,0	G3/8"-F	G1/2"-M	G1/2"-F	35	10,5	-	13,0	10	12	-	24
VRS-AN M5-AG	10	14	-	M5-M	-	-	-	-	4	5,5	-	-	2	3
VRS-AN G1/8-AG	16	20	-	G1/8"-M	-	-	-	-	4	7,0	-	-	2	5
VRS-AN G1/4-AG	20	25	-	G1/4"-M	-	-	-	-	6	10,0	-	-	3	6
VRS-AN G1/2-AG	28	32	-	G1/2"-M	-	-	-	-	7	11,0	-	-	3	10