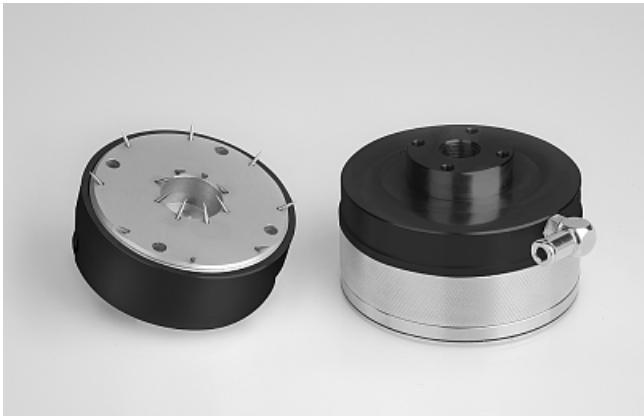


Needle grippers

Needle grippers SNG-R / RV



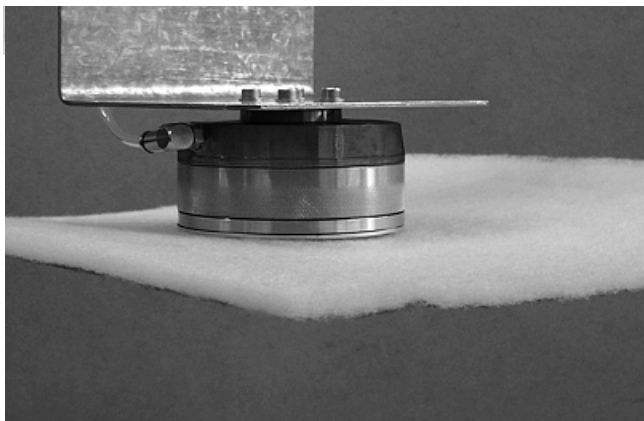
Needle grippers SNG-R / RV

Our highlights...

- Variable needle stroke (RV version)
- Intersecting needles
- Needles retracted by springs
- Synchronised extension of the needles
- Integrated mounting thread

Your advantages...

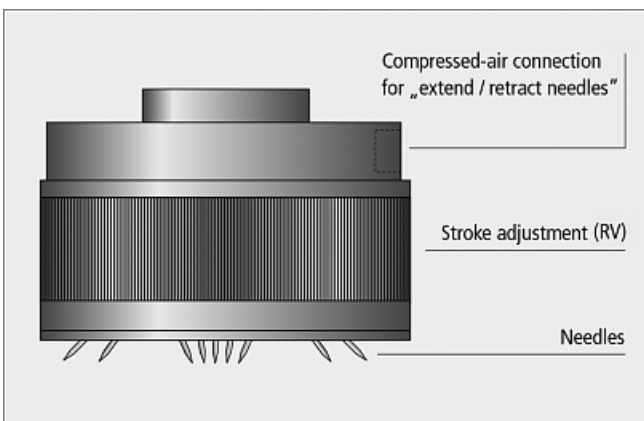
- > Individual adaptation to workpieces of different sizes and shapes
- > Optimal für particularly flexible components
- > Low control costs
- > Safe handling of the workpieces
- > Perfect adaptation to other mounting component



Needle gripper SNG-RV for handling of filter mats

Applications

- Handling of flexible, non-rigid components
- Handling of materials which are difficult to grip with vacuum, such as textiles, fleece, felt, metal foam, insulating mats, foam materials, filters, etc.



System design needle gripper SNG-R / RV

Construction

- Robust aluminium housing
- 12 needles
- Needles extended by compressed air and retracted by springs
- Insertion angle 45°



Designation code Needle grippers SNG-R / RV

| Short designation | Number of needles | Needle diameter in mm | Additional function |
|---------------------------------|-------------------|-----------------------|----------------------------|
| Example: SNG-R | 16 | 1.2 | V |
| SNG-R...fixed needle stroke | 16 | 1.2 | V...variable needle stroke |
| SNG-RV...variable needle stroke | | | |

Needle grippers

Needle grippers SNG-R / RV



Ordering data Needle grippers SNG-R / RV

| Type* | Article No. |
|----------------|----------------|
| SNG-R 16 1.2 | 10.01.29.00014 |
| SNG-R 16 1.2 V | 10.01.29.00017 |

*Note: suitable plug-in screw unions can be found under "Plug-in screw unions" in section 8

Ordering data spare parts Needle grippers SNG-R / RV

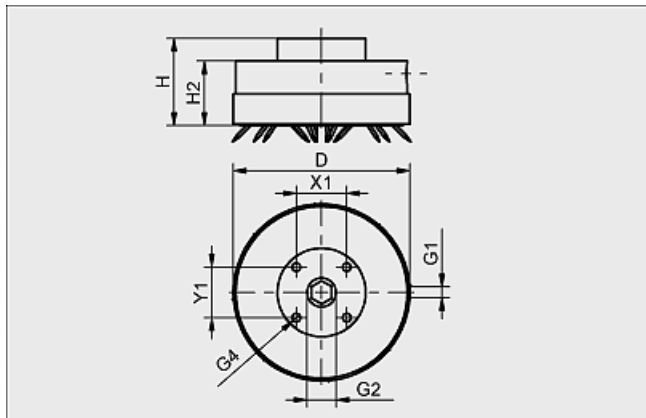
| Type | Needle piston* |
|----------------|----------------|
| SNG-R 16 1.2 | 10.01.29.00095 |
| SNG-R 16 1.2 V | 10.01.29.00104 |

*Set of 16 needles with guide pistons

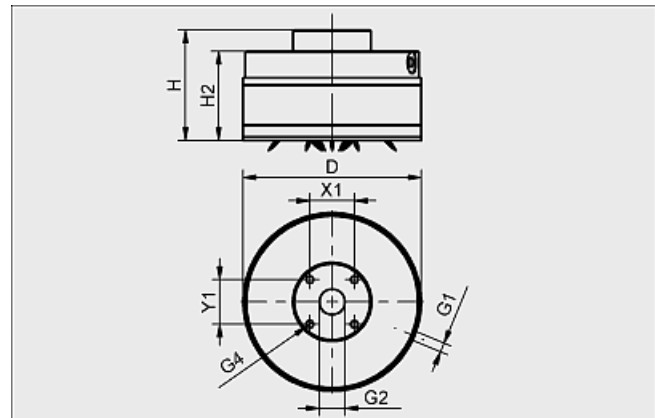
Technical data Needle grippers SNG-R / RV

| Type | Number of needles | Needle diameter [mm] | Additional function | Stroke [mm] | Operating press. [bar] | Operating temp. [°C] | Installation position | Weight [g] |
|----------------|-------------------|----------------------|------------------------|-------------|------------------------|----------------------|-----------------------|------------|
| SNG-R 16 1.2 | 16 | 1,2 | - | 4,5 | 4...6 | 5...60 | Arbitrary | 400 |
| SNG-R 16 1.2 V | 16 | 1,2 | Variable needle stroke | 0...4,5 | 4...6 | 5...60 | Arbitrary | 600 |

Design data Needle grippers SNG-R / RV



SNG-R 16 1.2



SNG-R 16 1.2 V

| Type | Dimensions in mm | | | | | | | | |
|----------------|------------------|----|------|---------|------|------|----|----|----|
| | B2 | D | G1 | G2 | G4 | H | H2 | X1 | Y1 |
| SNG-R 16 1.2 | 47,5 | 70 | M5-F | G1/4"-F | M4-F | 28,5 | 26 | 20 | 20 |
| SNG-R 16 1.2 V | 52,5 | 80 | M5-F | G1/4"-F | M4-F | 46,0 | 40 | 20 | 20 |