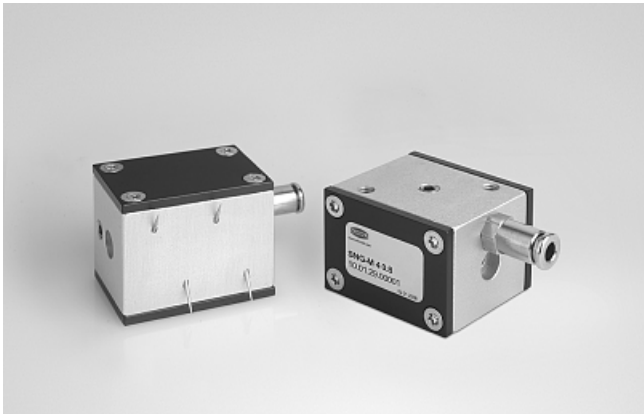


Needle grippers

Needle grippers SNG-M



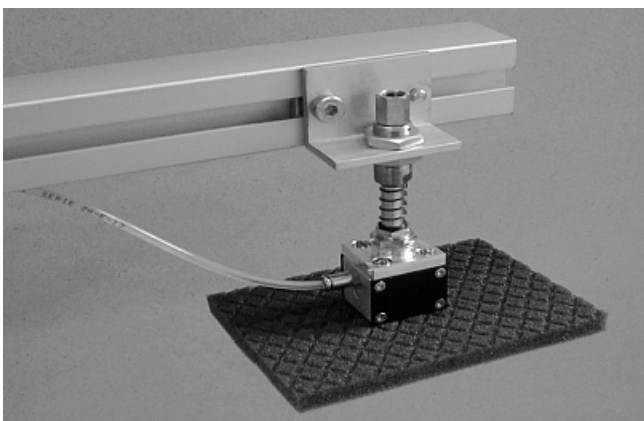
Needle grippers SNG-M

Our highlights...

- Very small size
- Needles retracted by springs
- Synchronised extension of the needles
- Optionally available with adapter flange plate

Your advantages...

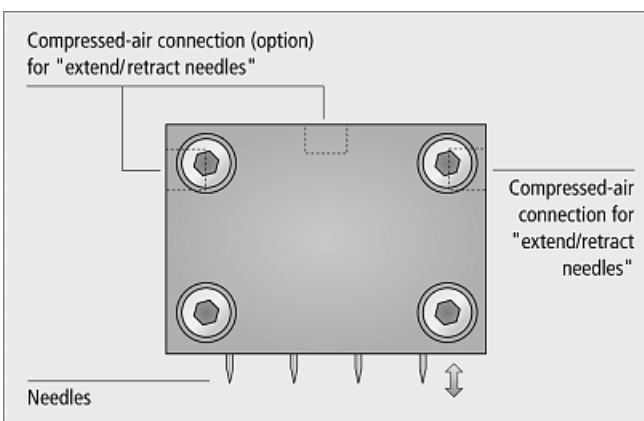
- >Optimal for installation in restricted spaces
- >Only one control signal
- >Safe handling of the work-pieces
- >Perfect adaptation to other mounting components



Needle gripper SNG-M for handling of structured foam materials

Applications

- Handling of flexible, non-rigid components
- Handling of materials which are difficult to grip with vacuum, such as textiles, fleece, filters, woven fibreglass or carbon-fibre, woven aramide, foam materials, etc.



System design needle gripper SNG-M

Construction

- Robust aluminium housing
- 4 needles
- Activated by compressed air, needles retracted by springs
- Insertion angle 30°

Designation code Needle grippers SNG-M

Short designation	Number of needles	Needle diameter in mm
Example: SNG-M	4	0.8
SNG-M	4	0.8

Needle grippers

Needle grippers SNG-M



Special grippers
3



Ordering data Needle grippers SNG-M

Type*	Article No.
SNG-M 4 0.8	10.01.29.00001

*Note: suitable plug-in screw unions can be found under "Plug-in screw unions" in section 8



Ordering data spare parts and accessories Needle grippers SNG-M

Type	Needle piston*	Type	Mounting plate*
SNG-M 4 0.8	10.01.29.00094	SNG-M 4 0.8	10.01.29.00093

*Set of 4 needles with guide pistons *complete with mounting screws

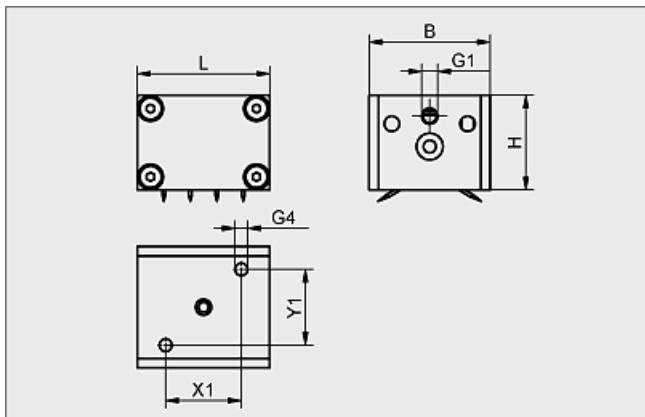


Technical data Needle grippers SNG-M

Type	Number of needles	Needle diameter [mm]	Stroke [mm]	Operating pressure [bar]	Operating temperature [°C]	Installation position	Weight [g]
SNG-M 4 0.8	4	0,8	3	4...6	5...60	Arbitrary	80



Design data Needle grippers SNG-M

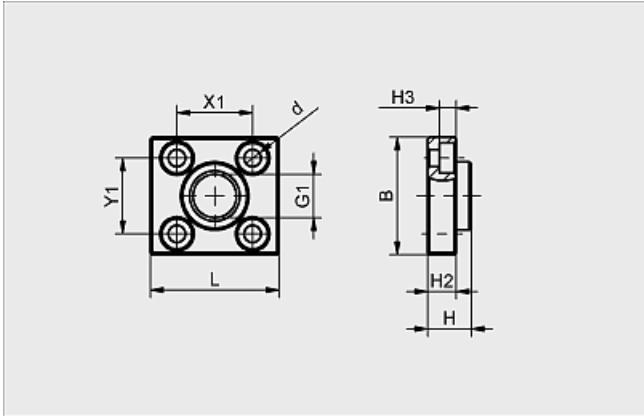


SNG-M 4 0.8

Type	Dimensions in mm							
	B	G1	G4	H	L	L1	X1	Y1
SNG-M 4 0.8	32	M5-F	M4-F	25	35	50,5	20	20

Needle grippers

Needle grippers SNG-M



BEF-PL SNG

Design data accessories Needle grippers SNG-M

Type	Dimensions in mm				
	B	d	G1	H	H2
Mounting plate BEF-PL SNG	31	4,5	G1/4"-F	11,5	7,5

Type	Dimensions in mm			
	H3	L	X1	Y1
Mounting plate BEF-PL SNG	4,4	34	20	20