

# Needle grippers

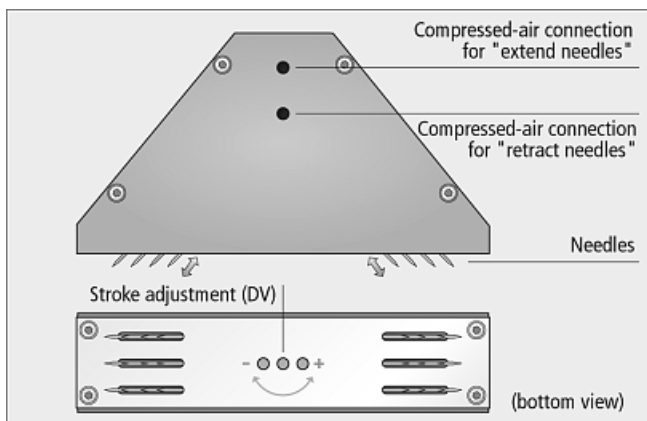
Needle grippers SNG-D / DV



Needle grippers SNG-D / DV



Needle grippers SNG-D for handling of insulating mats



System design needle gripper SNG-D / DV

## Our highlights...

- Variable needle stroke (DV version)
- Three different needle diameters
- Double-acting pneumatic cylinder
- Synchronised extension of the needles
- Optionally available with adapter flange plate

## Your advantages...

- > Individual adjustment for differing workpiece sizes and shapes
- > Specific designs for individual applications
- > Very short cycle times
- > Safe handling of the workpieces
- > Perfect adaptation to other mounting components

## Applications

- Handling of flexible, non-rigid components
- Handling of materials which are difficult to grip with vacuum, such as textiles, fleece, felt, carpets, metal foam, insulating mats, foam materials, etc.

## Construction

- Robust aluminium housing
- 24 needles
- Extension and retraction of the needles controlled by compressed air (2 circuits)
- Insertion angle 45°



## Designation code Needle grippers SNG-D / DV

Short designation	Number of needles	Needle diameter in mm	Additional function
Example: SNG-D	24	0.8	V
SNG-D...fixed needle stroke	24	0.8	V...variable needle stroke
SNG-DV...variable needle stroke		1.2 2.0	

# Needle grippers

Needle grippers SNG-D / DV



## Ordering data Needle grippers SNG-D / DV

Type*	Article No.
SNG-D 24 0.8	10.01.29.00005
SNG-D 24 1.2	10.01.29.00006
SNG-D 24 2.0	10.01.29.00007
SNG-D 24 0.8 V	10.01.29.00008
SNG-D 24 1.2 V	10.01.29.00009
SNG-D 24 2.0 V	10.01.29.00010

\*Note: suitable plug-in screw unions can be found under "Plug-in screw unions" in section 8



## Ordering data spare parts and accessories Needle grippers SNG-D / DV

Type	Needle wedge*	Type	Mounting plate*
SNG-D 24 0.8	10.01.29.00099	SNG-D 24 0.8	10.01.29.00093
SNG-D 24 1.2	10.01.29.00100	SNG-D 24 1.2	10.01.29.00093
SNG-D 24 2.0	10.01.29.00101	SNG-D 24 2.0	10.01.29.00093
SNG-D 24 0.8 V	10.01.29.00099	SNG-D 24 0.8 V	10.01.29.00093
SNG-D 24 1.2 V	10.01.29.00100	SNG-D 24 1.2 V	10.01.29.00093
SNG-D 24 2.0 V	10.01.29.00101	SNG-D 24 2.0 V	10.01.29.00093

\*Set of two needle wedges with needles

\*complete with mounting screws



## Technical data Needle grippers SNG-D / DV

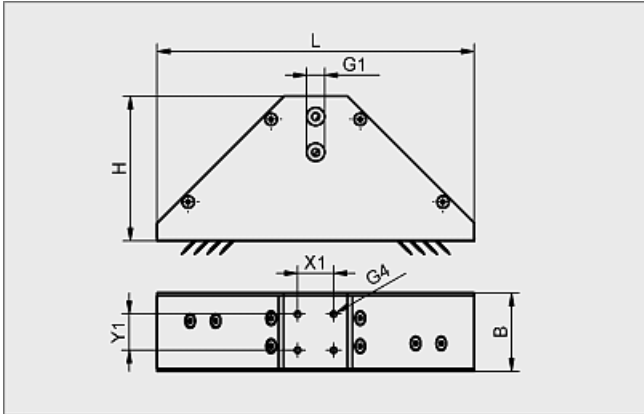
Type	Number of needles	Needle diameter [mm]	Additional function	Stroke [mm]	Operating pressure [bar]	Operating temperature [°C]	Installation position	Weight [g]
SNG-D 24 0.8	24	0,8	-	7	3...6	5...60	Arbitrary	600
SNG-D 24 1.2	24	1,2	-	7	3...6	5...60	Arbitrary	600
SNG-D 24 2.0	24	2,0	-	7	3...6	5...60	Arbitrary	600
SNG-D 24 0.8 V	24	0,8	Variable needle stroke	0...7	3...6	5...60	Arbitrary	700
SNG-D 24 1.2 V	24	1,2	Variable needle stroke	0...7	3...6	5...60	Arbitrary	700
SNG-D 24 2.0 V	24	2,0	Variable needle stroke	0...7	3...6	5...60	Arbitrary	700

# Needle grippers

Needle grippers SNG-D / DV

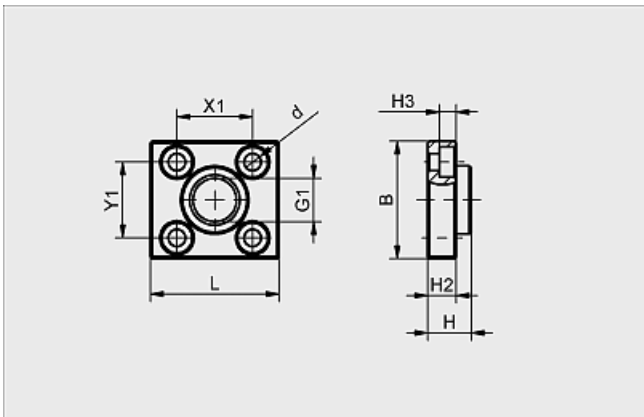


## Design data Needle grippers SNG-D / DV



SNG-D 24 0.8-2.0 (V)

Type	Dimensions in mm							
	B	B2	G1	G4	H	L	X1	Y1
SNG-D 24 0.8	44	56	M5-F	M4-F	80,3	176	20	20
SNG-D 24 1.2	44	56	M5-F	M4-F	80,3	176	20	20
SNG-D 24 2.0	44	56	M5-F	M4-F	80,3	176	20	20
SNG-D 24 0.8 V	44	56	M5-F	M4-F	80,3	176	20	20
SNG-D 24 1.2 V	44	56	M5-F	M4-F	80,3	176	20	20
SNG-D 24 2.0 V	44	56	M5-F	M4-F	80,3	176	20	20



BEF-PL SNG

## Design data access. Needle grippers SNG-D / DV

Type	Dimensions in mm				
	B	d	G1	H	H2
Mounting plate BEF-PL SNG	31	4,5	G1/4"-F	11,5	7,5

Type	Dimensions in mm			
	H3	L	X1	Y1
Mounting plate BEF-PL SNG	4,4	34	20	20